

Bimetal thermometers BiTh K with plastic thermowell



Benefits

- Range: 0/60 °C
- Stem made of plastic

Application

Heating, plumbing, distribution systems, underfloor heating distributors

Technical specifications

Nominal size
50

Measuring element
Bimetal helix

Accuracy class
2 (EN 13190)

Standard version

Connection
Stem: Plastic, Ø 9 mm
Thermowell: G½B, Plastic, Ø 14 mm, removable

Mounting position
Centre back

Dial
Plastic, white
Scaling black

Ranges °C
0/60

Application area
Full scale value

Operating pressure at thermowell
Max. 6 bar

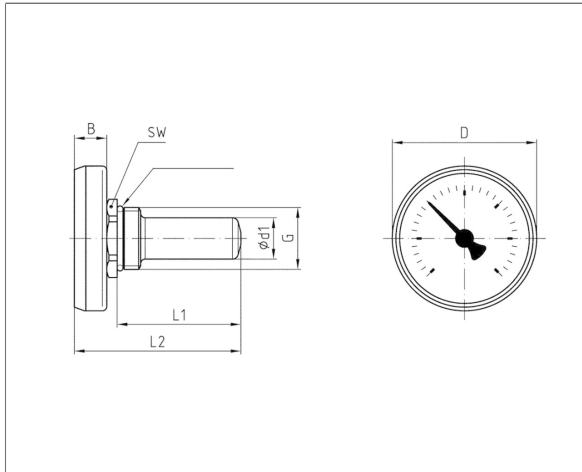
Pointer
Plastic, black

Housing
ABS, white

Window
Plastic, clipped in

Technical drawings

Centre back connection, NG 50



Dimensions (mm)

NG	B	D	d1	G	L1	L2	SW
50	11	49	14	G $\frac{1}{2}$ B	42	56,5	24

Versions

BiTh 50 K

	Housing \varnothing	Connection	Mounting position	Range	Stem length	Type	Part no.
	50 mm	Thermowell	Centre back	0/60 °C	40 mm	BiTh 50 K	63749

Blue part no. = in-stock items