



Bourdon tube pressure gauges for chemical applications Type D8 with glycerine filling



Benefits

- For chemical and process engineering applications
- Measuring system fully welded to housing
- Extremely robust design
- Can be used in case of heavy vibrations and high, dynamic pressure loads
- Tightness-tested with helium
- DNV- and GOSSTANDART-certified
- Ex version (optional)



Application

For corrosive gaseous and liquid media which are not highly viscous and do not crystallise; suitable for corrosive environments. For measurements in areas with high vibration levels and high, dynamic pressure loads.

! For measuring gas or vapour, observe the table "Selection Criteria as per EN 837-2" (see appendix)!

Technical specifications

Type

D8

Nominal size

100 – 160

Accuracy class (EN 837-1/5)

1,0

Ranges (EN 837-1/5)

See ordering table

Application area

Static load

≤ 600 bar: Full scale value
> 600 bar: ¾ x full scale value

Dynamic load

≤ 600 bar: 0.9 x full scale value
> 600 bar: ¾ x full scale value

Short-term

≤ 600 bar: 1.3 x full scale value
> 600 bar: Full scale value

Operating temperature range

Medium: Max. 100 °C

Ambient: -20/+60 °C

Temperature performance

Indication error when the temperature of the measuring system deviates from the normal temperature of 20 °C:
at rising temperature approx. ± 0.4 %/10 K
falling temperature approx. ± 0.4 %/10 K
of full scale value

Degree of protection

IP 54 (EN 60529) with housing vent (< 25 bar)

IP 65 (EN 60529)



Standard version

Connection

Stainless steel 316 Ti/316 L, bottom or bottom back

Measuring element

Bourdon tube, stainless steel 316 Ti/316

L

≤ 60 bar: "C" type tube

> 60 bar: Helical tube

Tightness-tested with helium

Movement

Stainless steel

Dial

Aluminium, white

Scaling black

Pointer

Aluminium, black

Housing

Stainless steel 304, with blow-out

Bayonet type bezel

Stainless steel 304

Window

Laminated safety glass

Filling liquid

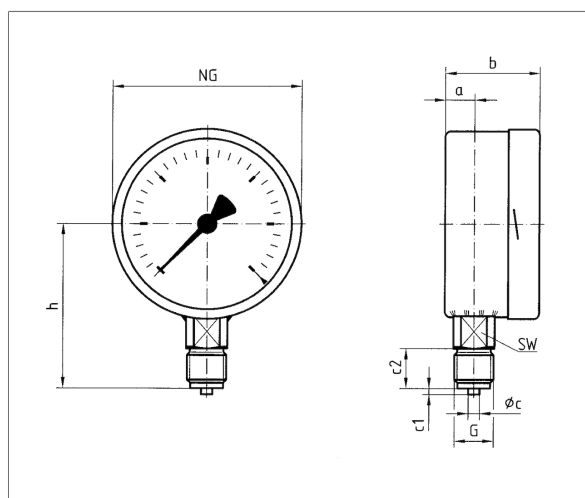
Glycerine (99.5 %)

Options

- Filling liquid silicone oil
- Brass movement
- Back flange
- 3-hole fixing, panel mounting bezel
- Ex version
- Electrical contacts
- Special scales
- Other process connections

Technical drawings

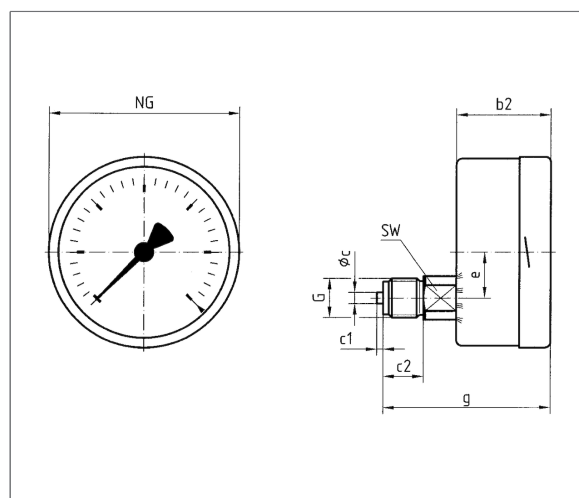
Bottom connection



Dimensions (mm)

NG	a	b	∅c	c1	c2	G	h	SW
100	15,6	49	6	3	20	G½B	86	22
160	17,5	50	6	3	20	G½B	116	22

bottom back connection

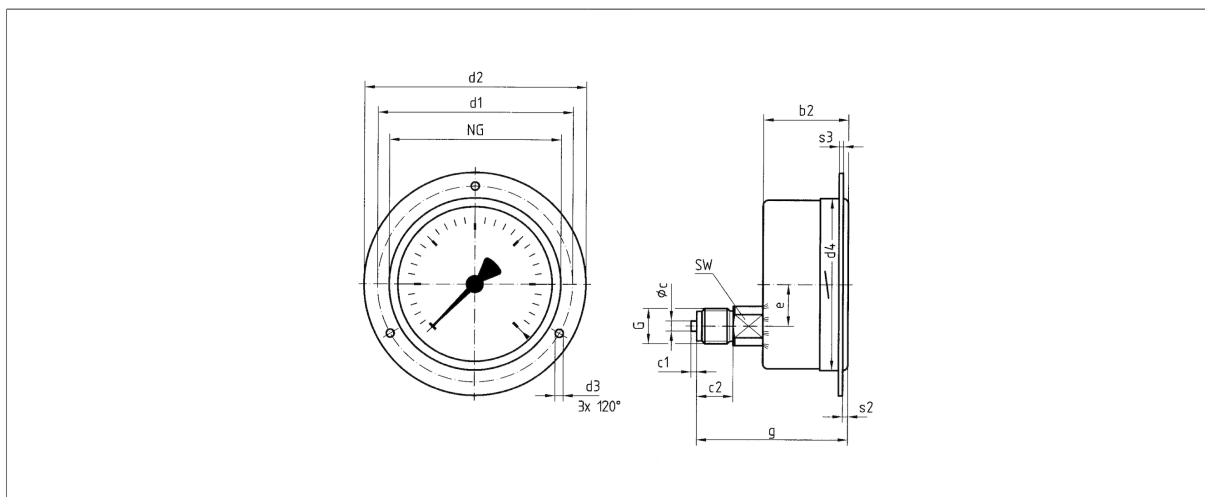


Dimensions (mm)

NG	b2	∅c	c1	c2	e	G	g	SW
100	49	6	3	20	34,5	G½B	83	22
160	50	6	3	20	34,5	G½B	84	22



bottom back connection, 3-hole fixing, panel mounting bezel



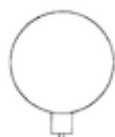
Dimensions (mm)

NG	b2	∅c	c1	c2	d1	d2	d3	d4	e	G	g	s2	s3	SW
100	49	6	3	20	116*	132*	4,8*	104	34,5	G½B	83	4	2	22
160	50	6	3	20	178	196	5,8	164	34,5	G½B	84	4	2	22

Versions

RF100ChGly D802

Housing ∅	Connection	Alignment	Housing	Accuracy class	Range	Type	Part no.
100 mm	G½B	Bottom	Stainless steel 304	1,0	-1/0 bar	RF100ChGly D802	85201802
100 mm	G½B	Bottom	Stainless steel 304	1,0	-1/+0.6 bar	RF100ChGly D802	85202802
100 mm	G½B	Bottom	Stainless steel 304	1,0	-1/+1.5 bar	RF100ChGly D802	85203802
100 mm	G½B	Bottom	Stainless steel 304	1,0	-1/+3 bar	RF100ChGly D802	85204802
100 mm	G½B	Bottom	Stainless steel 304	1,0	-1/+5 bar	RF100ChGly D802	85205802
100 mm	G½B	Bottom	Stainless steel 304	1,0	-1/+9 bar	RF100ChGly D802	85206802
100 mm	G½B	Bottom	Stainless steel 304	1,0	-1/+15 bar	RF100ChGly D802	85207802
100 mm	G½B	Bottom	Stainless steel 304	1,0	0/0.6 bar	RF100ChGly D802	85209802
100 mm	G½B	Bottom	Stainless steel 304	1,0	0/1 bar	RF100ChGly D802	85210802
100 mm	G½B	Bottom	Stainless steel 304	1,0	0/1.6 bar	RF100ChGly D802	85211802
100 mm	G½B	Bottom	Stainless steel 304	1,0	0/2.5 bar	RF100ChGly D802	85212802
100 mm	G½B	Bottom	Stainless steel 304	1,0	0/4 bar	RF100ChGly D802	85213802
100 mm	G½B	Bottom	Stainless steel 304	1,0	0/6 bar	RF100ChGly D802	85214802



Blue part no. = in-stock items



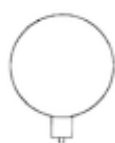
Housing \varnothing	Connection	Alignment	Housing	Accuracy class	Range	Type	Part no.
100 mm	G½B	Bottom	Stainless steel 304	1,0	0/10 bar	RF100ChGly D802	85215802
100 mm	G½B	Bottom	Stainless steel 304	1,0	0/16 bar	RF100ChGly D802	85216802
100 mm	G½B	Bottom	Stainless steel 304	1,0	0/25 bar	RF100ChGly D802	85217802
100 mm	G½B	Bottom	Stainless steel 304	1,0	0/40 bar	RF100ChGly D802	85218802
100 mm	G½B	Bottom	Stainless steel 304	1,0	0/60 bar	RF100ChGly D802	85219802
100 mm	G½B	Bottom	Stainless steel 304	1,0	0/100 bar	RF100ChGly D802	85220802
100 mm	G½B	Bottom	Stainless steel 304	1,0	0/160 bar	RF100ChGly D802	85221802
100 mm	G½B	Bottom	Stainless steel 304	1,0	0/250 bar	RF100ChGly D802	85222802
100 mm	G½B	Bottom	Stainless steel 304	1,0	0/400 bar	RF100ChGly D802	85223802
100 mm	G½B	Bottom	Stainless steel 304	1,0	0/600 bar	RF100ChGly D802	85224802
100 mm	G½B	Bottom	Stainless steel 304	1,0	0/1,000 bar	RF100ChGly D802	85225802

Blue part no. = in-stock items

RF160ChGly D802

Housing \varnothing	Connection	Alignment	Housing	Accuracy class	Range	Type	Part no.
160 mm	G½B	Bottom	Stainless steel 304	1,0	-1/0 bar	RF160ChGly D802	85251802
160 mm	G½B	Bottom	Stainless steel 304	1,0	-1/+0.6 bar	RF160ChGly D802	85252802
160 mm	G½B	Bottom	Stainless steel 304	1,0	-1/+1.5 bar	RF160ChGly D802	85253802
160 mm	G½B	Bottom	Stainless steel 304	1,0	-1/+3 bar	RF160ChGly D802	85254802
160 mm	G½B	Bottom	Stainless steel 304	1,0	-1/+5 bar	RF160ChGly D802	85255802
160 mm	G½B	Bottom	Stainless steel 304	1,0	-1/+9 bar	RF160ChGly D802	85256802
160 mm	G½B	Bottom	Stainless steel 304	1,0	-1/+15 bar	RF160ChGly D802	85257802
160 mm	G½B	Bottom	Stainless steel 304	1,0	0/0.6 bar	RF160ChGly D802	85259802
160 mm	G½B	Bottom	Stainless steel 304	1,0	0/1 bar	RF160ChGly D802	85260802
160 mm	G½B	Bottom	Stainless steel 304	1,0	0/1.6 bar	RF160ChGly D802	85261802
160 mm	G½B	Bottom	Stainless steel 304	1,0	0/2.5 bar	RF160ChGly D802	85262802
160 mm	G½B	Bottom	Stainless steel 304	1,0	0/4 bar	RF160ChGly D802	85263802
160 mm	G½B	Bottom	Stainless steel 304	1,0	0/6 bar	RF160ChGly D802	85264802
160 mm	G½B	Bottom	Stainless steel 304	1,0	0/10 bar	RF160ChGly D802	85265802
160 mm	G½B	Bottom	Stainless steel 304	1,0	0/16 bar	RF160ChGly D802	85266802

Blue part no. = in-stock items





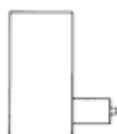
Housing [⊗]	Connection	Alignment	Housing	Accuracy class	Range	Type	Part no.
160 mm	G½B	Bottom	Stainless steel 304	1,0	0/25 bar	RF160ChGly D802	85267802
160 mm	G½B	Bottom	Stainless steel 304	1,0	0/40 bar	RF160ChGly D802	85268802
160 mm	G½B	Bottom	Stainless steel 304	1,0	0/60 bar	RF160ChGly D802	85269802
160 mm	G½B	Bottom	Stainless steel 304	1,0	0/100 bar	RF160ChGly D802	85270802
160 mm	G½B	Bottom	Stainless steel 304	1,0	0/160 bar	RF160ChGly D802	85271802
160 mm	G½B	Bottom	Stainless steel 304	1,0	0/250 bar	RF160ChGly D802	85272802
160 mm	G½B	Bottom	Stainless steel 304	1,0	0/400 bar	RF160ChGly D802	85273802
160 mm	G½B	Bottom	Stainless steel 304	1,0	0/600 bar	RF160ChGly D802	85274802
160 mm	G½B	Bottom	Stainless steel 304	1,0	0/1,000 bar	RF160ChGly D802	85275802
160 mm	G½B	Bottom	Stainless steel 304	1,0	0/1,600 bar	RF160ChGly D802	85276802

Blue part no. = in-stock items

RF100ChGly D812

Housing [⊗]	Connection	Alignment	Housing	Accuracy class	Range	Type	Part no.
100 mm	G½B	Bottom back	Stainless steel 304	1,0	-1/0 bar	RF100ChGly D812	85201812
100 mm	G½B	Bottom back	Stainless steel 304	1,0	-1/+0.6 bar	RF100ChGly D812	85202812
100 mm	G½B	Bottom back	Stainless steel 304	1,0	-1/+1.5 bar	RF100ChGly D812	85203812
100 mm	G½B	Bottom back	Stainless steel 304	1,0	-1/+3 bar	RF100ChGly D812	85204812
100 mm	G½B	Bottom back	Stainless steel 304	1,0	-1/+5 bar	RF100ChGly D812	85205812
100 mm	G½B	Bottom back	Stainless steel 304	1,0	-1/+9 bar	RF100ChGly D812	85206812
100 mm	G½B	Bottom back	Stainless steel 304	1,0	-1/+15 bar	RF100ChGly D812	85207812
100 mm	G½B	Bottom back	Stainless steel 304	1,0	0/0.6 bar	RF100ChGly D812	85209812
100 mm	G½B	Bottom back	Stainless steel 304	1,0	0/1 bar	RF100ChGly D812	85210812
100 mm	G½B	Bottom back	Stainless steel 304	1,0	0/1.6 bar	RF100ChGly D812	85211812
100 mm	G½B	Bottom back	Stainless steel 304	1,0	0/2.5 bar	RF100ChGly D812	85212812
100 mm	G½B	Bottom back	Stainless steel 304	1,0	0/4 bar	RF100ChGly D812	85213812
100 mm	G½B	Bottom back	Stainless steel 304	1,0	0/6 bar	RF100ChGly D812	85214812
100 mm	G½B	Bottom back	Stainless steel 304	1,0	0/10 bar	RF100ChGly D812	85215812
100 mm	G½B	Bottom back	Stainless steel 304	1,0	0/16 bar	RF100ChGly D812	85216812
100 mm	G½B	Bottom back	Stainless steel 304	1,0	0/25 bar	RF100ChGly D812	85217812

Blue part no. = in-stock items





Housing [⊗]	Connection	Alignment	Housing	Accuracy class	Range	Type	Part no.
100 mm	G½B	Bottom back	Stainless steel 304	1,0	0/40 bar	RF100ChGly D812	85218812
100 mm	G½B	Bottom back	Stainless steel 304	1,0	0/60 bar	RF100ChGly D812	85219812
100 mm	G½B	Bottom back	Stainless steel 304	1,0	0/100 bar	RF100ChGly D812	85220812
100 mm	G½B	Bottom back	Stainless steel 304	1,0	0/160 bar	RF100ChGly D812	85221812
100 mm	G½B	Bottom back	Stainless steel 304	1,0	0/250 bar	RF100ChGly D812	85222812
100 mm	G½B	Bottom back	Stainless steel 304	1,0	0/400 bar	RF100ChGly D812	85223812
100 mm	G½B	Bottom back	Stainless steel 304	1,0	0/600 bar	RF100ChGly D812	85224812
100 mm	G½B	Bottom back	Stainless steel 304	1,0	0/1,000 bar	RF100ChGly D812	85225812

Blue part no. = in-stock items

RF160ChGly D812

Housing [⊗]	Connection	Alignment	Housing	Accuracy class	Range	Type	Part no.
160 mm	G½B	Bottom back	Stainless steel 304	1,0	-1/0 bar	RF160ChGly D812	85251812
160 mm	G½B	Bottom back	Stainless steel 304	1,0	-1/+0.6 bar	RF160ChGly D812	85252812
160 mm	G½B	Bottom back	Stainless steel 304	1,0	-1/+1.5 bar	RF160ChGly D812	85253812
160 mm	G½B	Bottom back	Stainless steel 304	1,0	-1/+3 bar	RF160ChGly D812	85254812
160 mm	G½B	Bottom back	Stainless steel 304	1,0	-1/+5 bar	RF160ChGly D812	85255812
160 mm	G½B	Bottom back	Stainless steel 304	1,0	-1/+9 bar	RF160ChGly D812	85256812
160 mm	G½B	Bottom back	Stainless steel 304	1,0	-1/+15 bar	RF160ChGly D812	85257812
160 mm	G½B	Bottom back	Stainless steel 304	1,0	0/0.6 bar	RF160ChGly D812	85259812
160 mm	G½B	Bottom back	Stainless steel 304	1,0	0/1 bar	RF160ChGly D812	85260812
160 mm	G½B	Bottom back	Stainless steel 304	1,0	0/1.6 bar	RF160ChGly D812	85261812
160 mm	G½B	Bottom back	Stainless steel 304	1,0	0/2.5 bar	RF160ChGly D812	85262812
160 mm	G½B	Bottom back	Stainless steel 304	1,0	0/4 bar	RF160ChGly D812	85263812
160 mm	G½B	Bottom back	Stainless steel 304	1,0	0/6 bar	RF160ChGly D812	85264812
160 mm	G½B	Bottom back	Stainless steel 304	1,0	0/10 bar	RF160ChGly D812	85265812
160 mm	G½B	Bottom back	Stainless steel 304	1,0	0/16 bar	RF160ChGly D812	85266812
160 mm	G½B	Bottom back	Stainless steel 304	1,0	0/25 bar	RF160ChGly D812	85267812
160 mm	G½B	Bottom back	Stainless steel 304	1,0	0/40 bar	RF160ChGly D812	85268812
160 mm	G½B	Bottom back	Stainless steel 304	1,0	0/60 bar	RF160ChGly D812	85269812

Blue part no. = in-stock items





Housing \varnothing	Connection	Alignment	Housing	Accuracy class	Range	Type	Part no.
160 mm	G½B	Bottom back	Stainless steel 304	1,0	0/100 bar	RF160ChGly D812	85270812
160 mm	G½B	Bottom back	Stainless steel 304	1,0	0/160 bar	RF160ChGly D812	85271812
160 mm	G½B	Bottom back	Stainless steel 304	1,0	0/250 bar	RF160ChGly D812	85272812
160 mm	G½B	Bottom back	Stainless steel 304	1,0	0/400 bar	RF160ChGly D812	85273812
160 mm	G½B	Bottom back	Stainless steel 304	1,0	0/600 bar	RF160ChGly D812	85274812
160 mm	G½B	Bottom back	Stainless steel 304	1,0	0/1,000 bar	RF160ChGly D812	85275812
160 mm	G½B	Bottom back	Stainless steel 304	1,0	0/1,600 bar	RF160ChGly D812	85276812

Blue part no. = in-stock items

RF100ChGly D832

Housing \varnothing	Connection	Alignment	Housing	Accuracy class	Range	Type	Part no.
100 mm	G½B	Bottom back	Stainless steel 304	1,0	-1/0 bar	RF100ChGly D832	85201832
100 mm	G½B	Bottom back	Stainless steel 304	1,0	-1/+0.6 bar	RF100ChGly D832	85202832
100 mm	G½B	Bottom back	Stainless steel 304	1,0	-1/+1.5 bar	RF100ChGly D832	85203832
100 mm	G½B	Bottom back	Stainless steel 304	1,0	-1/+3 bar	RF100ChGly D832	85204832
100 mm	G½B	Bottom back	Stainless steel 304	1,0	-1/+5 bar	RF100ChGly D832	85205832
100 mm	G½B	Bottom back	Stainless steel 304	1,0	-1/+9 bar	RF100ChGly D832	85206832
100 mm	G½B	Bottom back	Stainless steel 304	1,0	-1/+15 bar	RF100ChGly D832	85207832
100 mm	G½B	Bottom back	Stainless steel 304	1,0	0/0.6 bar	RF100ChGly D832	85209832
100 mm	G½B	Bottom back	Stainless steel 304	1,0	0/1 bar	RF100ChGly D832	85210832
100 mm	G½B	Bottom back	Stainless steel 304	1,0	0/1.6 bar	RF100ChGly D832	85211832
100 mm	G½B	Bottom back	Stainless steel 304	1,0	0/2.5 bar	RF100ChGly D832	85212832
100 mm	G½B	Bottom back	Stainless steel 304	1,0	0/4 bar	RF100ChGly D832	85213832
100 mm	G½B	Bottom back	Stainless steel 304	1,0	0/6 bar	RF100ChGly D832	85214832
100 mm	G½B	Bottom back	Stainless steel 304	1,0	0/10 bar	RF100ChGly D832	85215832
100 mm	G½B	Bottom back	Stainless steel 304	1,0	0/16 bar	RF100ChGly D832	85216832
100 mm	G½B	Bottom back	Stainless steel 304	1,0	0/25 bar	RF100ChGly D832	85217832
100 mm	G½B	Bottom back	Stainless steel 304	1,0	0/40 bar	RF100ChGly D832	85218832
100 mm	G½B	Bottom back	Stainless steel 304	1,0	0/60 bar	RF100ChGly D832	85219832
100 mm	G½B	Bottom back	Stainless steel 304	1,0	0/100 bar	RF100ChGly D832	85220832

Blue part no. = in-stock items





Housing ø	Connection	Alignment	Housing	Accuracy class	Range	Type	Part no.
100 mm	G½B	Bottom back	Stainless steel 304	1,0	0/160 bar	RF100ChGly D832	85221832
100 mm	G½B	Bottom back	Stainless steel 304	1,0	0/250 bar	RF100ChGly D832	85222832
100 mm	G½B	Bottom back	Stainless steel 304	1,0	0/400 bar	RF100ChGly D832	85223832
100 mm	G½B	Bottom back	Stainless steel 304	1,0	0/600 bar	RF100ChGly D832	85224832
100 mm	G½B	Bottom back	Stainless steel 304	1,0	0/1,000 bar	RF100ChGly D832	85225832

Blue part no. = in-stock items

RF160ChGly D832

Housing ø	Connection	Alignment	Housing	Accuracy class	Range	Type	Part no.
160 mm	G½B	Bottom back	Stainless steel 304	1,0	-1/0 bar	RF160ChGly D832	85251832
160 mm	G½B	Bottom back	Stainless steel 304	1,0	-1/+0.6 bar	RF160ChGly D832	85252832
160 mm	G½B	Bottom back	Stainless steel 304	1,0	-1/+1.5 bar	RF160ChGly D832	85253832
160 mm	G½B	Bottom back	Stainless steel 304	1,0	-1/+3 bar	RF160ChGly D832	85254832
160 mm	G½B	Bottom back	Stainless steel 304	1,0	-1/+5 bar	RF160ChGly D832	85255832
160 mm	G½B	Bottom back	Stainless steel 304	1,0	-1/+9 bar	RF160ChGly D832	85256832
160 mm	G½B	Bottom back	Stainless steel 304	1,0	-1/+15 bar	RF160ChGly D832	85257832
160 mm	G½B	Bottom back	Stainless steel 304	1,0	0/0.6 bar	RF160ChGly D832	85259832
160 mm	G½B	Bottom back	Stainless steel 304	1,0	0/1 bar	RF160ChGly D832	85260832
160 mm	G½B	Bottom back	Stainless steel 304	1,0	0/1.6 bar	RF160ChGly D832	85261832
160 mm	G½B	Bottom back	Stainless steel 304	1,0	0/2.5 bar	RF160ChGly D832	85262832
160 mm	G½B	Bottom back	Stainless steel 304	1,0	0/4 bar	RF160ChGly D832	85263832
160 mm	G½B	Bottom back	Stainless steel 304	1,0	0/6 bar	RF160ChGly D832	85264832
160 mm	G½B	Bottom back	Stainless steel 304	1,0	0/10 bar	RF160ChGly D832	85265832
160 mm	G½B	Bottom back	Stainless steel 304	1,0	0/16 bar	RF160ChGly D832	85266832
160 mm	G½B	Bottom back	Stainless steel 304	1,0	0/25 bar	RF160ChGly D832	85267832
160 mm	G½B	Bottom back	Stainless steel 304	1,0	0/40 bar	RF160ChGly D832	85268832
160 mm	G½B	Bottom back	Stainless steel 304	1,0	0/60 bar	RF160ChGly D832	85269832
160 mm	G½B	Bottom back	Stainless steel 304	1,0	0/100 bar	RF160ChGly D832	85270832
160 mm	G½B	Bottom back	Stainless steel 304	1,0	0/160 bar	RF160ChGly D832	85271832
160 mm	G½B	Bottom back	Stainless steel 304	1,0	0/250 bar	RF160ChGly D832	85272832

Blue part no. = in-stock items





Housing [⊗]	Connection	Alignment	Housing	Accuracy class	Range	Type	Part no.
160 mm	G½B	Bottom back	Stainless steel 304	1,0	0/400 bar	RF160ChGly D832	85273832
160 mm	G½B	Bottom back	Stainless steel 304	1,0	0/600 bar	RF160ChGly D832	85274832
160 mm	G½B	Bottom back	Stainless steel 304	1,0	0/1,000 bar	RF160ChGly D832	85275832
160 mm	G½B	Bottom back	Stainless steel 304	1,0	0/1,600 bar	RF160ChGly D832	85276832

Blue part no. = in-stock items