

Standard capsule pressure gauges Type D3



Benefits

- With zero correction
- Ideal for low pressure ranges
- GOSSTANDART-certified

Application

For gaseous, dry media which do not attack copper alloys.

! For measuring gas or vapour, observe the table "Selection Criteria as per EN 837-2" (see appendix)!

Technical specifications

Type

D3

Nominal size

100

Accuracy class (EN 837-3/6)

1,6

Ranges (EN 837-3/5)

See ordering table

Application area

Static load: Full scale value
Dynamic load: 0.9 x full scale value
Overload safety: 1.3 x full scale value

Operating temperature range

Medium: Max. 60 °C

Ambient: -20/+60 °C

Temperature performance

Indication error when the temperature of the measuring system deviates from the normal temperature of 20 °C:
at rising temperature approx. $\pm 0.6 \text{ \%}/10 \text{ K}$
falling temperature approx. $\pm 0.6 \text{ \%}/10 \text{ K}$
of full scale value

Degree of protection

NG 100: IP 44 (EN 60529)



Standard version

Connection

Brass, bottom

Measuring element

Capsule element, CuBe alloy

Movement

Brass

Zero correction

From the front

Seal

NBR (Perbunan)

Dial

Aluminium, white

Scaling black

Pointer

Aluminium, black

Housing

Stainless steel 304

Window

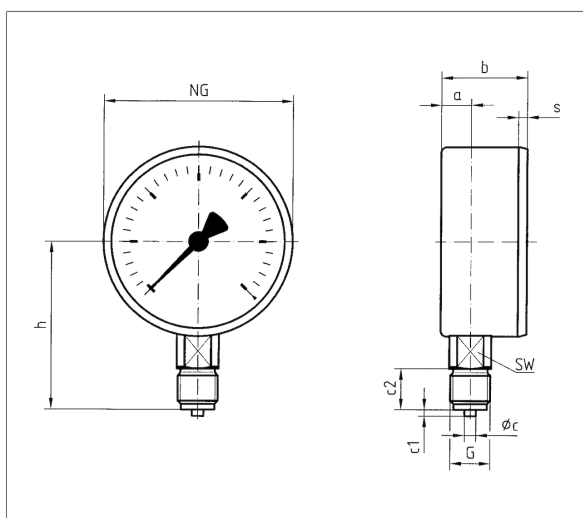
Plastic, clipped in

Options

- Back flange
- Panel mounting bezel
- 3-hole fixing, panel mounting bezel
- Measuring system stainless steel (NG 100)
- Damping screw
- Reference pointer
- Special scales
- Other process connections

Technical drawings

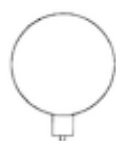
Bottom connection





Versions

KP100 D301



Housing ø	Connection	Alignment	Housing	Accuracy class	Range	Type	Part no.
100 mm	G½B	Bottom	Stainless steel 304	1,6	0/25 mbar	KP100 D301	35116301
100 mm	G½B	Bottom	Stainless steel 304	1,6	0/40 mbar	KP100 D301	35117301
100 mm	G½B	Bottom	Stainless steel 304	1,6	0/60 mbar	KP100 D301	35118301
100 mm	G½B	Bottom	Stainless steel 304	1,6	0/100 mbar	KP100 D301	35119301
100 mm	G½B	Bottom	Stainless steel 304	1,6	0/160 mbar	KP100 D301	35120301
100 mm	G½B	Bottom	Stainless steel 304	1,6	0/250 mbar	KP100 D301	35121301
100 mm	G½B	Bottom	Stainless steel 304	1,6	0/400 mbar	KP100 D301	35122301
100 mm	G½B	Bottom	Stainless steel 304	1,6	0/600 mbar	KP100 D301	35123301
100 mm	G½B	Bottom	Stainless steel 304	1,6	0/1,000 mbar	KP100 D301	35124301

Blue part no. = in-stock items