



Glycerine filled Bourdon tube pressure gauges Type D6



Benefits

- Can be used in case of heavy vibrations and high, dynamic pressure loads
- Longer service life due to less wear and corrosion protection of the measuring system
- No steaming up of the inside of the window in case of outdoor applications

Application

For gaseous and liquid media which are not highly viscous, do not crystallise and do not attack copper alloys. For measurements in areas with high vibration levels and high, dynamic pressure loads.

Technical specifications

Type

D6

Nominal size

40 – 50 – 63

Accuracy class (EN 837-1/6)

1,6

Ranges (EN 837-1/5)

See ordering table

Application area

Static load: $\frac{1}{4}$ x full scale value

Dynamic load: $\frac{1}{2}$ x full scale value

Short-term: Full scale value

Operating temperature range

Medium: Max. 60 °C

Ambient: -20/+60 °C

Degree of protection

IP 54 (EN 60529) with housing vent (≤ 25 bar)

IP 65 (EN 60529)



Standard version

Connection

Brass, bottom or centre back

Measuring element

Bourdon tube, Copper

alloy

≤ 60 bar: "C" type tube

> 60 bar: Helical tube

Movement

Brass

Dial

NG 40: Plastic, white

NG 50: Aluminium, white

NG 63: Aluminium, white

Scaling: Black

Pointer

NG 40: Plastic, black

NG 50: Aluminium, black

NG 63: Aluminium, black

Housing

NG 40: Plastic (ABS), black

NG 50: Polyamide, black

NG 63: Polyamide, black

With blow-out

Crimped bezel

NG 50: Aluminium, black

NG 63: Aluminium, black

Window

NG 40: Plastic, with housing ultrasonically welded

NG 50: Plastic

NG 63: Plastic

Filling liquid

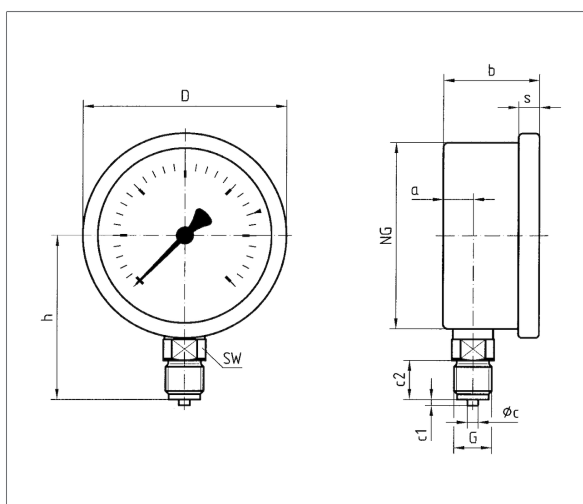
Glycerine (99.5 %)

Options

- Back flange (NG 63)
- Clamp fixing (NG 50/63)
- 3-hole fixing, panel mounting bezel (NG 63)
- Damping screw
- Special scales
- Other process connections

Technical drawings

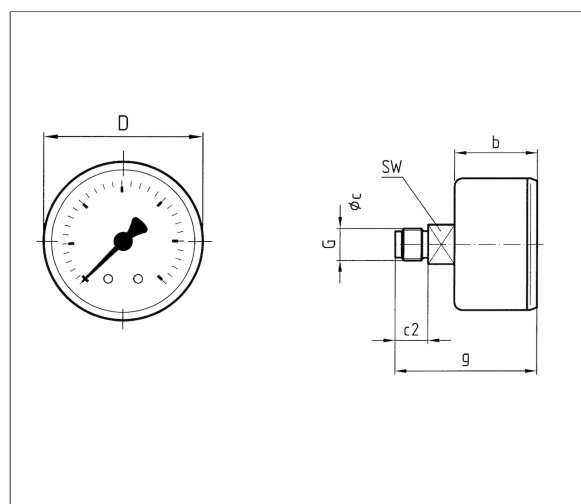
NG 50/63 – bottom connection



Dimensions (mm)

NG	a	b	øc	c1	c2	D	G	h	s	SW
50	12	31,5	5	2	13	53	G¼B	47	5	14
63	10	32	5	2	13	68	G¼B	53	7	14

NG 40 – centre back connection

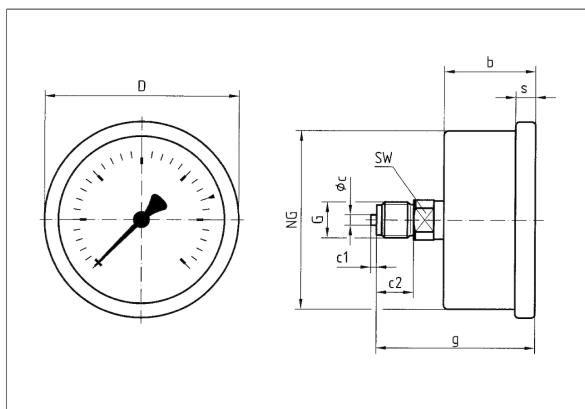


Dimensions (mm)

NG	b	øc	c2	D	G	g	SW
40	25	4	10	40	G¼B	43	12



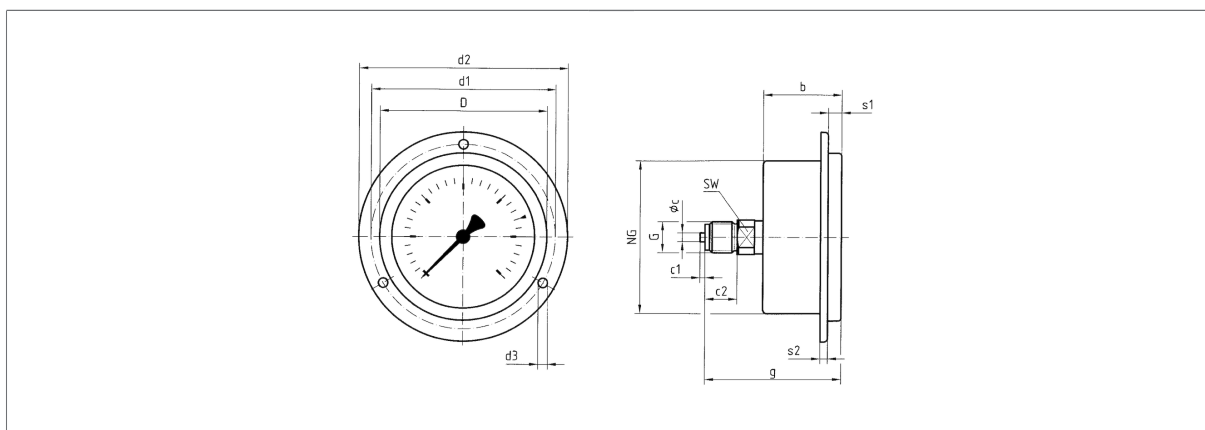
NG 50/63 – centre back connection



Dimensions (mm)

NG	b	∅c	c1	c2	D	G	g	s	SW
50	31,5	5	2	13	53	G¼B	54,5	5	14
63	32	5	2	13	68	G¼B	55	7	14

Centre back connection, 3-hole fixing, panel mounting bezel

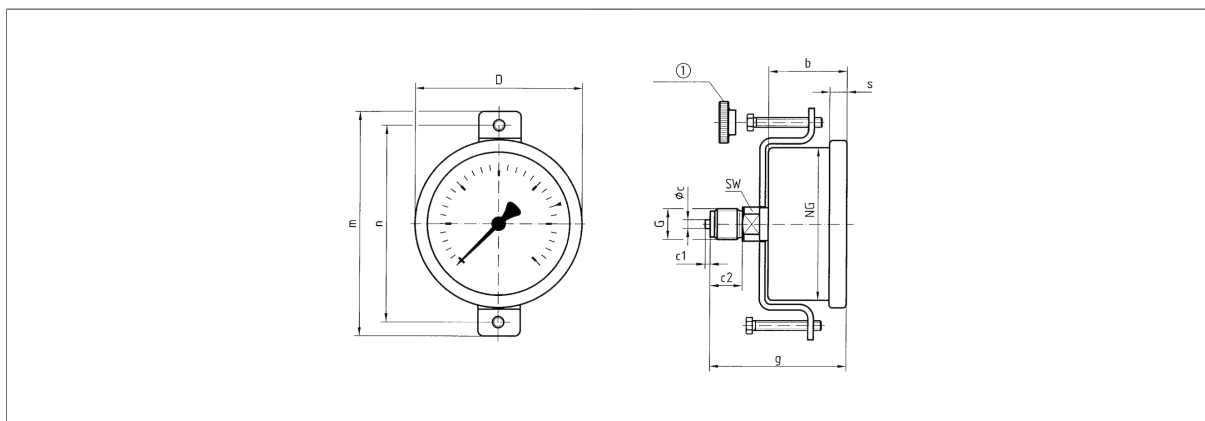


Dimensions (mm)

NG	b	∅c	c1	c2	d1	d2	d3	D	G	g	s1	s2	SW
63	32	5	2	13	75	85	3,6	68	G¼B	55	5,5	3	14



Centre back connection, with clamp fixing



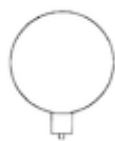
Dimensions (mm)

NG	b	∅c	c1	c2	D	G	g	m	n	s	SW
50	31,5	5	2	13	53	G¼B	54,5	82	73	5	14
63	32	5	2	13	68	G¼B	55	94	82	7	14

Versions

RF50Gly D601

Housing ∅	Connection	Alignment	Housing	Accuracy class	Range	Type	Part no.
50 mm	G¼B	Bottom	Polyamide, black	1,6	-1/0 bar	RF50Gly D601	85051601
50 mm	G¼B	Bottom	Polyamide, black	1,6	-1/+0.6 bar	RF50Gly D601	85052601
50 mm	G¼B	Bottom	Polyamide, black	1,6	-1/+1.5 bar	RF50Gly D601	85053601
50 mm	G¼B	Bottom	Polyamide, black	1,6	-1/+3 bar	RF50Gly D601	85054601
50 mm	G¼B	Bottom	Polyamide, black	1,6	-1/+5 bar	RF50Gly D601	85055601
50 mm	G¼B	Bottom	Polyamide, black	1,6	-1/+9 bar	RF50Gly D601	85056601
50 mm	G¼B	Bottom	Polyamide, black	1,6	-1/+15 bar	RF50Gly D601	85057601
50 mm	G¼B	Bottom	Polyamide, black	1,6	0/0.6 bar	RF50Gly D601	85059601
50 mm	G¼B	Bottom	Polyamide, black	1,6	0/1 bar	RF50Gly D601	85060601
50 mm	G¼B	Bottom	Polyamide, black	1,6	0/1.6 bar	RF50Gly D601	85061601
50 mm	G¼B	Bottom	Polyamide, black	1,6	0/2.5 bar	RF50Gly D601	85062601
50 mm	G¼B	Bottom	Polyamide, black	1,6	0/4 bar	RF50Gly D601	85063601
50 mm	G¼B	Bottom	Polyamide, black	1,6	0/6 bar	RF50Gly D601	85064601
50 mm	G¼B	Bottom	Polyamide, black	1,6	0/10 bar	RF50Gly D601	85065601
50 mm	G¼B	Bottom	Polyamide, black	1,6	0/16 bar	RF50Gly D601	85066601



Blue part no. = in-stock items



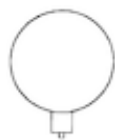
Housing ^ø	Connection	Alignment	Housing	Accuracy class	Range	Type	Part no.
50 mm	G¼B	Bottom	Polyamide, black	1,6	0/25 bar	RF50Gly D601	85067601
50 mm	G¼B	Bottom	Polyamide, black	1,6	0/40 bar	RF50Gly D601	85068601
50 mm	G¼B	Bottom	Polyamide, black	1,6	0/60 bar	RF50Gly D601	85069601
50 mm	G¼B	Bottom	Polyamide, black	1,6	0/100 bar	RF50Gly D601	85070601
50 mm	G¼B	Bottom	Polyamide, black	1,6	0/160 bar	RF50Gly D601	85071601
50 mm	G¼B	Bottom	Polyamide, black	1,6	0/250 bar	RF50Gly D601	85072601
50 mm	G¼B	Bottom	Polyamide, black	1,6	0/400 bar	RF50Gly D601	85073601

Blue part no. = in-stock items

RF63Gly D601

Housing ^ø	Connection	Alignment	Housing	Accuracy class	Range	Type	Part no.
63 mm	G¼B	Bottom	Polyamide, black	1,6	-1/0 bar	RF63Gly D601	85101601
63 mm	G¼B	Bottom	Polyamide, black	1,6	-1/+0.6 bar	RF63Gly D601	85102601
63 mm	G¼B	Bottom	Polyamide, black	1,6	-1/+1.5 bar	RF63Gly D601	85103601
63 mm	G¼B	Bottom	Polyamide, black	1,6	-1/+3 bar	RF63Gly D601	85104601
63 mm	G¼B	Bottom	Polyamide, black	1,6	-1/+5 bar	RF63Gly D601	85105601
63 mm	G¼B	Bottom	Polyamide, black	1,6	-1/+9 bar	RF63Gly D601	85106601
63 mm	G¼B	Bottom	Polyamide, black	1,6	-1/+15 bar	RF63Gly D601	85107601
63 mm	G¼B	Bottom	Polyamide, black	1,6	0/0.6 bar	RF63Gly D601	85109601
63 mm	G¼B	Bottom	Polyamide, black	1,6	0/1 bar	RF63Gly D601	85110601
63 mm	G¼B	Bottom	Polyamide, black	1,6	0/1.6 bar	RF63Gly D601	85111601
63 mm	G¼B	Bottom	Polyamide, black	1,6	0/2.5 bar	RF63Gly D601	85112601
63 mm	G¼B	Bottom	Polyamide, black	1,6	0/4 bar	RF63Gly D601	85113601
63 mm	G¼B	Bottom	Polyamide, black	1,6	0/6 bar	RF63Gly D601	85114601
63 mm	G¼B	Bottom	Polyamide, black	1,6	0/10 bar	RF63Gly D601	85115601
63 mm	G¼B	Bottom	Polyamide, black	1,6	0/16 bar	RF63Gly D601	85116601
63 mm	G¼B	Bottom	Polyamide, black	1,6	0/25 bar	RF63Gly D601	85117601
63 mm	G¼B	Bottom	Polyamide, black	1,6	0/40 bar	RF63Gly D601	85118601
63 mm	G¼B	Bottom	Polyamide, black	1,6	0/60 bar	RF63Gly D601	85119601
63 mm	G¼B	Bottom	Polyamide, black	1,6	0/100 bar	RF63Gly D601	85120601

Blue part no. = in-stock items





Housing [⊗]	Connection	Alignment	Housing	Accuracy class	Range	Type	Part no.
63 mm	G¼B	Bottom	Polyamide, black	1,6	0/160 bar	RF63Gly D601	85121601
63 mm	G¼B	Bottom	Polyamide, black	1,6	0/250 bar	RF63Gly D601	85122601
63 mm	G¼B	Bottom	Polyamide, black	1,6	0/400 bar	RF63Gly D601	85123601

Blue part no. = in-stock items

RF40Gly D611

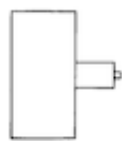
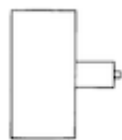
Housing [⊗]	Connection	Alignment	Housing	Accuracy class	Range	Type	Part no.
40 mm	G¼B	Centre back	Plastic (ABS), black	1,6	-1/0 bar	RF40Gly D611	85001611
40 mm	G¼B	Centre back	Plastic (ABS), black	1,6	0/1 bar	RF40Gly D611	85010611
40 mm	G¼B	Centre back	Plastic (ABS), black	1,6	0/1.6 bar	RF40Gly D611	85011611
40 mm	G¼B	Centre back	Plastic (ABS), black	1,6	0/2.5 bar	RF40Gly D611	85012611
40 mm	G¼B	Centre back	Plastic (ABS), black	1,6	0/4 bar	RF40Gly D611	85013611
40 mm	G¼B	Centre back	Plastic (ABS), black	1,6	0/6 bar	RF40Gly D611	85014611
40 mm	G¼B	Centre back	Plastic (ABS), black	1,6	0/10 bar	RF40Gly D611	85015611
40 mm	G¼B	Centre back	Plastic (ABS), black	1,6	0/16 bar	RF40Gly D611	85016611
40 mm	G¼B	Centre back	Plastic (ABS), black	1,6	0/25 bar	RF40Gly D611	85017611
40 mm	G¼B	Centre back	Plastic (ABS), black	1,6	0/40 bar	RF40Gly D611	85018611
40 mm	G¼B	Centre back	Plastic (ABS), black	1,6	0/60 bar	RF40Gly D611	85019611
40 mm	G¼B	Centre back	Plastic (ABS), black	1,6	0/100 bar	RF40Gly D611	85020611
40 mm	G¼B	Centre back	Plastic (ABS), black	1,6	0/160 bar	RF40Gly D611	85021611
40 mm	G¼B	Centre back	Plastic (ABS), black	1,6	0/250 bar	RF40Gly D611	85022611
40 mm	G¼B	Centre back	Plastic (ABS), black	1,6	0/400 bar	RF40Gly D611	85023611

Blue part no. = in-stock items

RF50Gly D611

Housing [⊗]	Connection	Alignment	Housing	Accuracy class	Range	Type	Part no.
50 mm	G¼B	Centre back	Polyamide, black	1,6	-1/0 bar	RF50Gly D611	85051611
50 mm	G¼B	Centre back	Polyamide, black	1,6	-1/+0.6 bar	RF50Gly D611	85052611
50 mm	G¼B	Centre back	Polyamide, black	1,6	-1/+1.5 bar	RF50Gly D611	85053611
50 mm	G¼B	Centre back	Polyamide, black	1,6	-1/+3 bar	RF50Gly D611	85054611
50 mm	G¼B	Centre back	Polyamide, black	1,6	-1/+5 bar	RF50Gly D611	85055611

Blue part no. = in-stock items





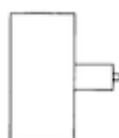
Housing [⊗]	Connection	Alignment	Housing	Accuracy class	Range	Type	Part no.
50 mm	G $\frac{1}{4}$ B	Centre back	Polyamide, black	1,6	-1/+9 bar	RF50Gly D611	85056611
50 mm	G $\frac{1}{4}$ B	Centre back	Polyamide, black	1,6	-1/+15 bar	RF50Gly D611	85057611
50 mm	G $\frac{1}{4}$ B	Centre back	Polyamide, black	1,6	0/0.6 bar	RF50Gly D611	85059611
50 mm	G $\frac{1}{4}$ B	Centre back	Polyamide, black	1,6	0/1 bar	RF50Gly D611	85060611
50 mm	G $\frac{1}{4}$ B	Centre back	Polyamide, black	1,6	0/1.6 bar	RF50Gly D611	85061611
50 mm	G $\frac{1}{4}$ B	Centre back	Polyamide, black	1,6	0/2.5 bar	RF50Gly D611	85062611
50 mm	G $\frac{1}{4}$ B	Centre back	Polyamide, black	1,6	0/4 bar	RF50Gly D611	85063611
50 mm	G $\frac{1}{4}$ B	Centre back	Polyamide, black	1,6	0/6 bar	RF50Gly D611	85064611
50 mm	G $\frac{1}{4}$ B	Centre back	Polyamide, black	1,6	0/10 bar	RF50Gly D611	85065611
50 mm	G $\frac{1}{4}$ B	Centre back	Polyamide, black	1,6	0/16 bar	RF50Gly D611	85066611
50 mm	G $\frac{1}{4}$ B	Centre back	Polyamide, black	1,6	0/25 bar	RF50Gly D611	85067611
50 mm	G $\frac{1}{4}$ B	Centre back	Polyamide, black	1,6	0/40 bar	RF50Gly D611	85068611
50 mm	G $\frac{1}{4}$ B	Centre back	Polyamide, black	1,6	0/60 bar	RF50Gly D611	85069611
50 mm	G $\frac{1}{4}$ B	Centre back	Polyamide, black	1,6	0/100 bar	RF50Gly D611	85070611
50 mm	G $\frac{1}{4}$ B	Centre back	Polyamide, black	1,6	0/160 bar	RF50Gly D611	85071611
50 mm	G $\frac{1}{4}$ B	Centre back	Polyamide, black	1,6	0/250 bar	RF50Gly D611	85072611
50 mm	G $\frac{1}{4}$ B	Centre back	Polyamide, black	1,6	0/400 bar	RF50Gly D611	85073611

Blue part no. = in-stock items

RF63Gly D611

Housing [⊗]	Connection	Alignment	Housing	Accuracy class	Range	Type	Part no.
63 mm	G $\frac{1}{4}$ B	Centre back	Polyamide, black	1,6	-1/0 bar	RF63Gly D611	85101611
63 mm	G $\frac{1}{4}$ B	Centre back	Polyamide, black	1,6	-1/+0.6 bar	RF63Gly D611	85102611
63 mm	G $\frac{1}{4}$ B	Centre back	Polyamide, black	1,6	-1/+1.5 bar	RF63Gly D611	85103611
63 mm	G $\frac{1}{4}$ B	Centre back	Polyamide, black	1,6	-1/+3 bar	RF63Gly D611	85104611
63 mm	G $\frac{1}{4}$ B	Centre back	Polyamide, black	1,6	-1/+5 bar	RF63Gly D611	85105611
63 mm	G $\frac{1}{4}$ B	Centre back	Polyamide, black	1,6	-1/+9 bar	RF63Gly D611	85106611
63 mm	G $\frac{1}{4}$ B	Centre back	Polyamide, black	1,6	-1/+15 bar	RF63Gly D611	85107611
63 mm	G $\frac{1}{4}$ B	Centre back	Polyamide, black	1,6	0/0.6 bar	RF63Gly D611	85109611
63 mm	G $\frac{1}{4}$ B	Centre back	Polyamide, black	1,6	0/1 bar	RF63Gly D611	85110611

Blue part no. = in-stock items





Housing ^ø	Connection	Alignment	Housing	Accuracy class	Range	Type	Part no.
63 mm	G¼B	Centre back	Polyamide, black	1,6	0/1.6 bar	RF63Gly D611	85111611
63 mm	G¼B	Centre back	Polyamide, black	1,6	0/2.5 bar	RF63Gly D611	85112611
63 mm	G¼B	Centre back	Polyamide, black	1,6	0/4 bar	RF63Gly D611	85113611
63 mm	G¼B	Centre back	Polyamide, black	1,6	0/6 bar	RF63Gly D611	85114611
63 mm	G¼B	Centre back	Polyamide, black	1,6	0/10 bar	RF63Gly D611	85115611
63 mm	G¼B	Centre back	Polyamide, black	1,6	0/16 bar	RF63Gly D611	85116611
63 mm	G¼B	Centre back	Polyamide, black	1,6	0/25 bar	RF63Gly D611	85117611
63 mm	G¼B	Centre back	Polyamide, black	1,6	0/40 bar	RF63Gly D611	85118611
63 mm	G¼B	Centre back	Polyamide, black	1,6	0/60 bar	RF63Gly D611	85119611
63 mm	G¼B	Centre back	Polyamide, black	1,6	0/100 bar	RF63Gly D611	85120611
63 mm	G¼B	Centre back	Polyamide, black	1,6	0/160 bar	RF63Gly D611	85121611
63 mm	G¼B	Centre back	Polyamide, black	1,6	0/250 bar	RF63Gly D611	85122611
63 mm	G¼B	Centre back	Polyamide, black	1,6	0/400 bar	RF63Gly D611	85123611

[Blue part no.](#) = in-stock items

RF63Gly D621

Housing ^ø	Connection	Alignment	Housing	Accuracy class	Range	Type	Part no.
63 mm	G¼B	Centre back	Polyamide, black	1,6	-1/0 bar	RF63Gly D621	85101621
63 mm	G¼B	Centre back	Polyamide, black	1,6	-1/+0.6 bar	RF63Gly D621	85102621
63 mm	G¼B	Centre back	Polyamide, black	1,6	-1/+1.5 bar	RF63Gly D621	85103621
63 mm	G¼B	Centre back	Polyamide, black	1,6	0/0.6 bar	RF63Gly D621	85109621
63 mm	G¼B	Centre back	Polyamide, black	1,6	0/1 bar	RF63Gly D621	85110621
63 mm	G¼B	Centre back	Polyamide, black	1,6	0/1.6 bar	RF63Gly D621	85111621
63 mm	G¼B	Centre back	Polyamide, black	1,6	0/2.5 bar	RF63Gly D621	85112621
63 mm	G¼B	Centre back	Polyamide, black	1,6	0/4 bar	RF63Gly D621	85113621
63 mm	G¼B	Centre back	Polyamide, black	1,6	0/6 bar	RF63Gly D621	85114621
63 mm	G¼B	Centre back	Polyamide, black	1,6	0/10 bar	RF63Gly D621	85115621
63 mm	G¼B	Centre back	Polyamide, black	1,6	0/16 bar	RF63Gly D621	85116621
63 mm	G¼B	Centre back	Polyamide, black	1,6	0/25 bar	RF63Gly D621	85117621
63 mm	G¼B	Centre back	Polyamide, black	1,6	0/40 bar	RF63Gly D621	85118621

[Blue part no.](#) = in-stock items



Housing \varnothing	Connection	Alignment	Housing	Accuracy class	Range	Type	Part no.
63 mm	G $\frac{1}{4}$ B	Centre back	Polyamide, black	1,6	0/60 bar	RF63Gly D621	85119621
63 mm	G $\frac{1}{4}$ B	Centre back	Polyamide, black	1,6	0/100 bar	RF63Gly D621	85120621
63 mm	G $\frac{1}{4}$ B	Centre back	Polyamide, black	1,6	0/160 bar	RF63Gly D621	85121621
63 mm	G $\frac{1}{4}$ B	Centre back	Polyamide, black	1,6	0/250 bar	RF63Gly D621	85122621
63 mm	G $\frac{1}{4}$ B	Centre back	Polyamide, black	1,6	0/400 bar	RF63Gly D621	85123621

Blue part no. = in-stock items

RF50Gly D641

Housing \varnothing	Connection	Alignment	Housing	Accuracy class	Range	Type	Part no.
50 mm	G $\frac{1}{4}$ B	Centre back	Polyamide, black	1,6	-1/0 bar	RF50Gly D641	85051641
50 mm	G $\frac{1}{4}$ B	Centre back	Polyamide, black	1,6	0/1 bar	RF50Gly D641	85060641
50 mm	G $\frac{1}{4}$ B	Centre back	Polyamide, black	1,6	0/4 bar	RF50Gly D641	85063641
50 mm	G $\frac{1}{4}$ B	Centre back	Polyamide, black	1,6	0/6 bar	RF50Gly D641	85064641
50 mm	G $\frac{1}{4}$ B	Centre back	Polyamide, black	1,6	0/10 bar	RF50Gly D641	85065641
50 mm	G $\frac{1}{4}$ B	Centre back	Polyamide, black	1,6	0/16 bar	RF50Gly D641	85066641
50 mm	G $\frac{1}{4}$ B	Centre back	Polyamide, black	1,6	0/40 bar	RF50Gly D641	85068641
50 mm	G $\frac{1}{4}$ B	Centre back	Polyamide, black	1,6	0/100 bar	RF50Gly D641	85070641
50 mm	G $\frac{1}{4}$ B	Centre back	Polyamide, black	1,6	0/160 bar	RF50Gly D641	85071641
50 mm	G $\frac{1}{4}$ B	Centre back	Polyamide, black	1,6	0/250 bar	RF50Gly D641	85072641

Blue part no. = in-stock items

RF63Gly D641

Housing \varnothing	Connection	Alignment	Housing	Accuracy class	Range	Type	Part no.
63 mm	G $\frac{1}{4}$ B	Centre back	Polyamide, black	1,6	-1/0 bar	RF63Gly D641	85101641
63 mm	G $\frac{1}{4}$ B	Centre back	Polyamide, black	1,6	0/1.6 bar	RF63Gly D641	85111641
63 mm	G $\frac{1}{4}$ B	Centre back	Polyamide, black	1,6	0/4 bar	RF63Gly D641	85113641
63 mm	G $\frac{1}{4}$ B	Centre back	Polyamide, black	1,6	0/6 bar	RF63Gly D641	85114641
63 mm	G $\frac{1}{4}$ B	Centre back	Polyamide, black	1,6	0/16 bar	RF63Gly D641	85116641
63 mm	G $\frac{1}{4}$ B	Centre back	Polyamide, black	1,6	0/25 bar	RF63Gly D641	85117641
63 mm	G $\frac{1}{4}$ B	Centre back	Polyamide, black	1,6	0/40 bar	RF63Gly D641	85118641
63 mm	G $\frac{1}{4}$ B	Centre back	Polyamide, black	1,6	0/100 bar	RF63Gly D641	85120641

Blue part no. = in-stock items



Housing [⊗]	Connection	Alignment	Housing	Accuracy class	Range	Type	Part no.
63 mm	G¼B	Centre back	Polyamide, black	1,6	0/160 bar	RF63Gly D641	85121641
63 mm	G¼B	Centre back	Polyamide, black	1,6	0/250 bar	RF63Gly D641	85122641
63 mm	G¼B	Centre back	Polyamide, black	1,6	0/400 bar	RF63Gly D641	85123641

Blue part no. = in-stock items