



## Pressure transducers HydroFox® DMU 09 level probe - for chemical applications



### Benefits

- Chemical-resistant plastic version
- Robust ceramic diaphragm without transmission liquid
- Highly resistant FEP cable
- Special calibration for all standard pressure units possible

### Application

For electronic, continuous level measurement in extremely corrosive liquids, e.g. chemicals or waste water from landfill sites.

### Description

Pressure transducers HydroFox® convert physical pressure into an electrical signal proportional to the pressure. HydroFox® DMU 09 uses a capacitance ceramic measuring cell.



## Technical specifications

### Measuring accuracy

Deviation from the characteristic curve according to IEC 60770 – limit point calibration (non-linearity, hysteresis, repeatability)  
< ± 0.35 % FSO

### Measuring range

See ordering table

### Overpressure safety

≤ 400 mbar: At least 15 x FS  
> 400 mbar: At least 3 x FS

### Operating temperature range

Medium: -25/+70 °C  
Ambient: -25/+70 °C  
Storage: -25/+70 °C

### Dynamic characteristics

Response time: < 200 ms

### Probe

L x ø: 126 x 45 mm

### Material

Housing: PP  
Diaphragm: Ultra-pure ceramic (Al<sub>2</sub>O<sub>3</sub> 99.9 %)  
Seals: FKM (Viton)  
Cable: FEP

### Supply voltage

DC 9 – 32 V

### Output signal

4–20 mA, 2-wire

### Load

$R_{Max} = [(UB - UB_{Min})/0.02 A] \Omega$

### Current input

< 21 mA

### Electrical protection

Short circuit proof and protected against reverse polarity

### Electrical connection

FEP cable with integrated breather tube for reference to the ambient atmospheric pressure  
Cable length: 5 m  
Degree of protection: IP 68 (EN 60529)

### CE conformity

EMC Directive 2014/30/EU  
RoHS Directive 2011/65/EU  
Pressure Equipment Directive 2014/68/EU

## Options

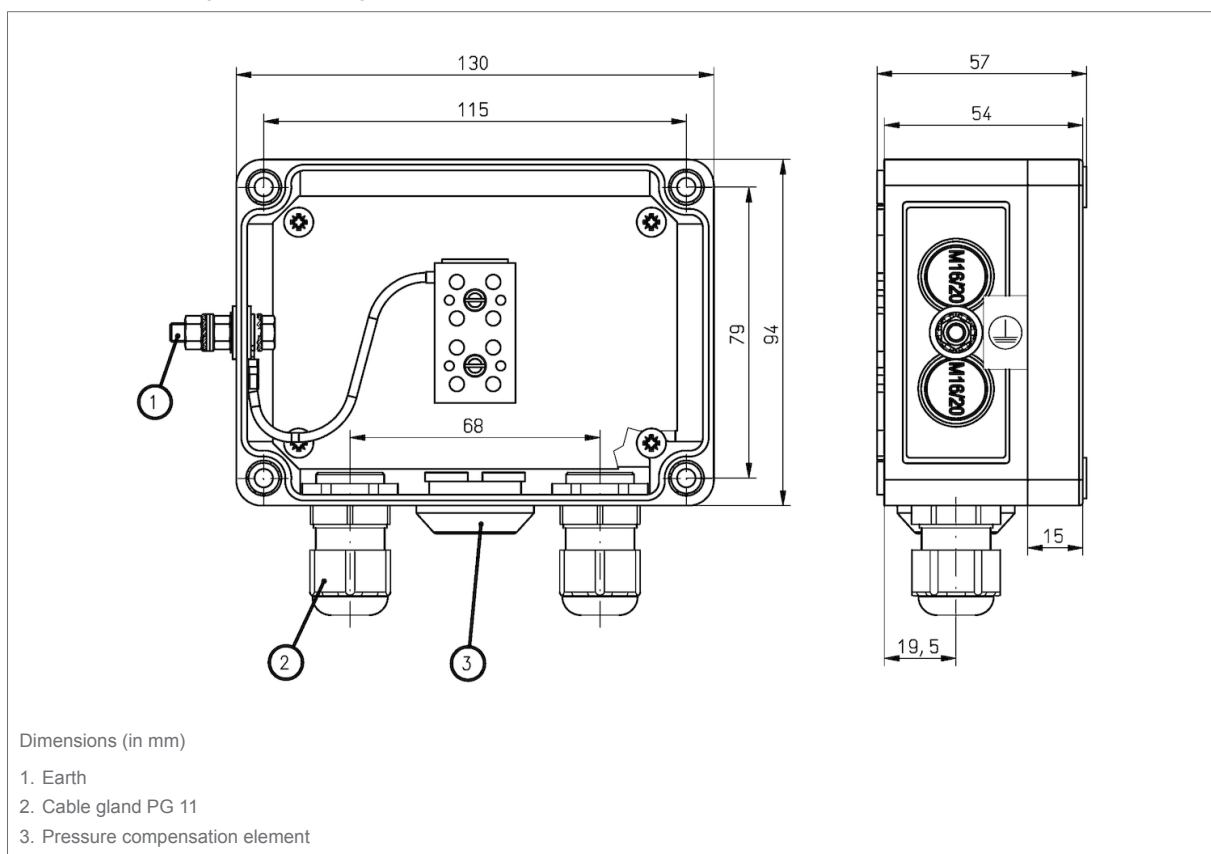
- Housing PVDF
- Cable protection conduits
- Seals made of FFKM
- Ex version
  - Ex II 1/2G Ex ia IIC T4 Ga/Gb
  - Ex II 1G Ex ia IIC or IIB T6 or T4 Ga (metal housing)
  - Ex II 1/2D Ex ia IIIC T 110 °C Da/Db
  - Ex II 10 Ex ia IIIC T 110 °C (metal housing)



### Detail views

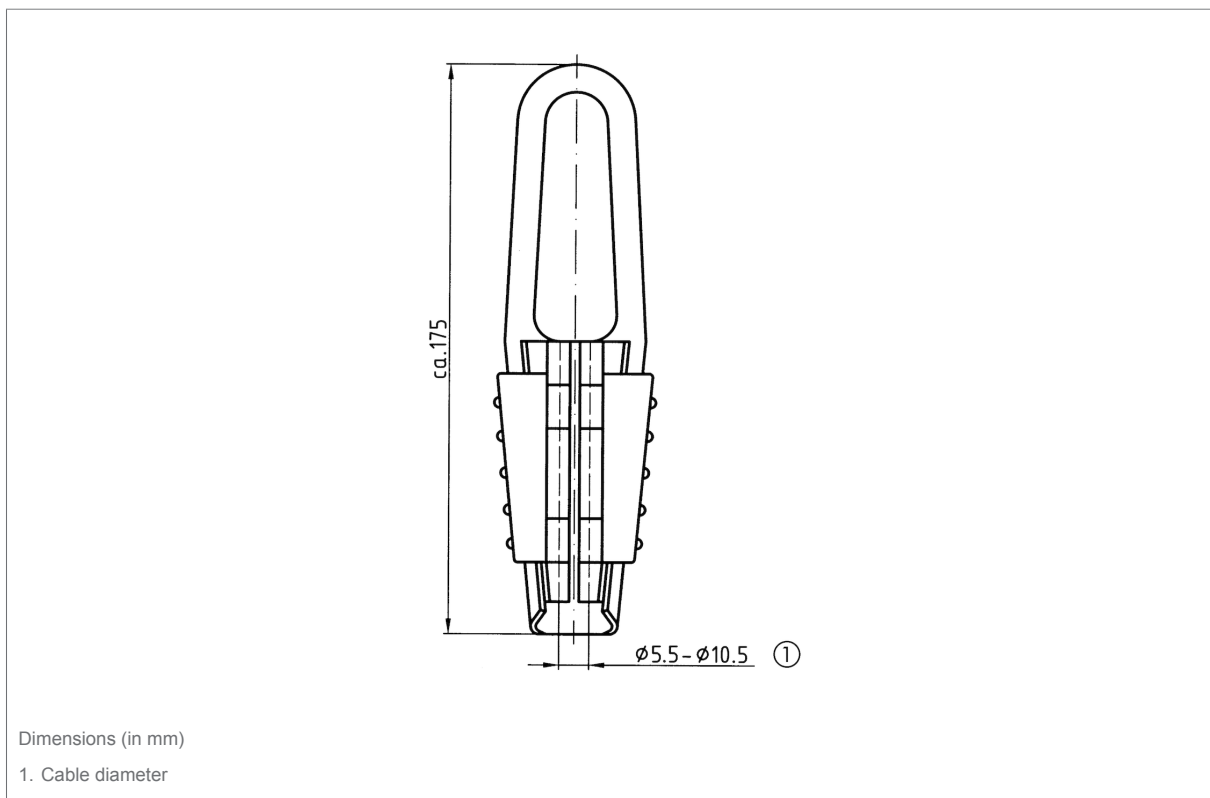


### Junction box with pressure relief port



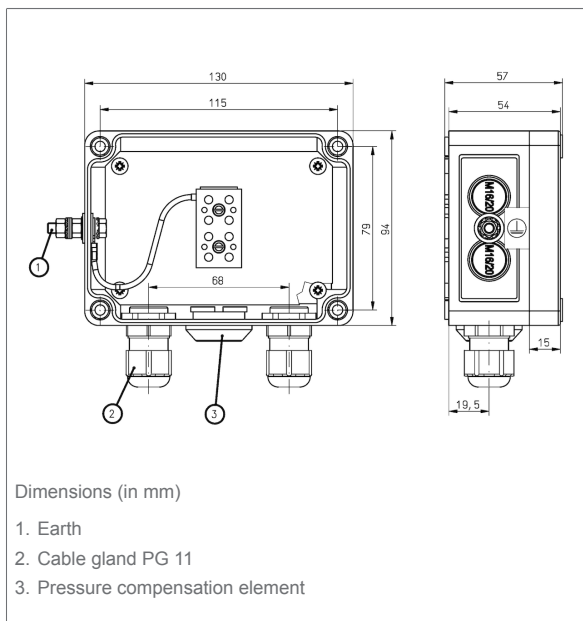


### Anchor clamp

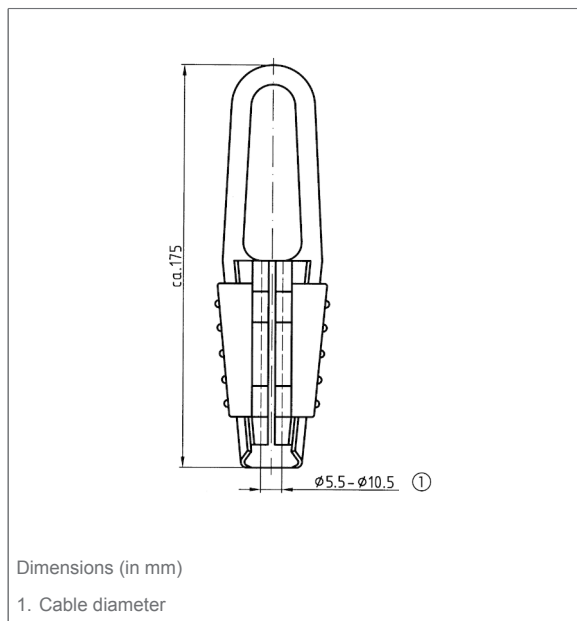


### Technical drawings

#### Junction box with pressure relief port

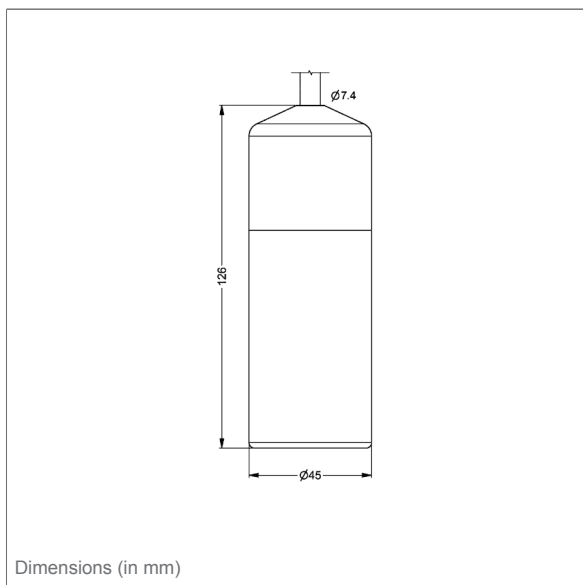


#### Anchor clamp

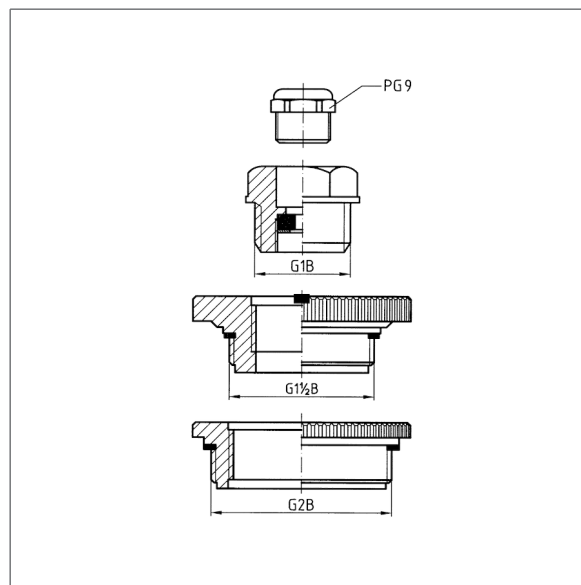




### DMU 09 - standard version

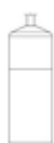


### Screw connector kit



### Versions

Type	Measuring range	Part no.
HydroFox® DMU 09	0/40 mbar	31767
HydroFox® DMU 09	0/60 mbar	31768
HydroFox® DMU 09	0/100 mbar	31571
HydroFox® DMU 09	0/160 mbar	31572
HydroFox® DMU 09	0/200 mbar	31573
HydroFox® DMU 09	0/250 mbar	31574
HydroFox® DMU 09	0/300 mbar	31812
HydroFox® DMU 09	0/400 mbar	31575
HydroFox® DMU 09	0/600 mbar	31576
HydroFox® DMU 09	0/1 bar	31577
HydroFox® DMU 09	0/1.6 bar	31578
HydroFox® DMU 09	0/2 bar	31579
HydroFox® DMU 09	0/2.5 bar	31580



Blue part no. = in-stock items



Type	Measuring range	Part no.
HydroFox® DMU 09	0/4 bar	31581
HydroFox® DMU 09	0/6 bar	31582
HydroFox® DMU 09	0/10 bar	31583

Blue part no. = in-stock items