



## Standard Bourdon tube pressure gauges for welding applications type D3



### Benefits

- Design as per ISO 5171
- Rear blow-out
- Measuring system cleaned, oil-free and grease-free
- Many customised versions available

### Application

For welding and cutting machines and systems as well as similar processes.

### Technical specifications

**Type**  
D3

**Nominal size**  
63

**Version**  
ISO 5171

**Accuracy class**  
2,5

**Ranges**  
See ordering table

**Application area**

Static load:	$\frac{1}{4}$ x full scale value
Dynamic load:	$\frac{2}{3}$ x full scale value
Short-term:	Full scale value

**Operating temperature range**

Medium:	Max. 60 °C
Ambient:	-20/+60 °C

**Temperature performance**

Indication error when the temperature of the measuring system deviates from the normal temperature of 20 °C:

at rising temperature approx.	$\pm 0.4$ %/10 K
falling temperature approx.	$\pm 0.4$ %/10 K

of full scale value

**Degree of protection**  
IP 32 (EN 60529)



## Standard version

### Connection

Brass, bottom  
With damping in the pressure inlet channel

### Measuring element

Bourdon tube, Copper alloy  
≤ 40 bar: "C" type tube  
> 40 bar: Helical tube  
Copper content in case of acetylene < 70 %

### Wetted parts

Oil and grease free

### Movement

Brass

## Options

- Litre scales for argon/CO<sub>2</sub>
- Special scales
- Other connection threads

### Dial

Aluminium, white  
Scaling black  
Acetylene: Label "acetylene"  
Oxygen: Label "oxygen" and symbol "free from oil and grease"

### Pointer

Aluminium, black

### Housing

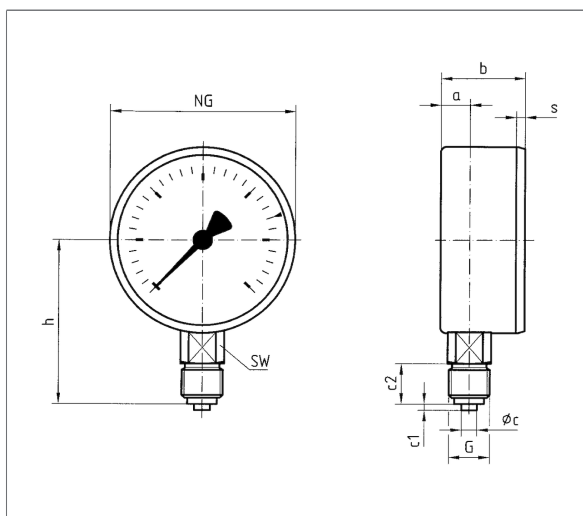
Stainless steel 304, with rear blow-out

### Window

Plastic, snapped in

## Technical drawings

### Bottom connection



### Dimensions (mm)

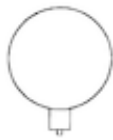
NG	a	b	øc	c1	c2	G	h	s	SW
50	10,5	29	5	2	13	G¼B	46	3,8	14
63	11	29,5	5	2	13	G¼B	53	3,7	14



## Versions

### RF63ST D301

Housing $\varnothing$	Connection	Alignment	Housing	Accuracy class	Range	Type	Part no.
63 mm	G $\frac{1}{4}$ B	Bottom	Stainless steel 304	2,5	0/1 bar	RF63ST D301	88300301
63 mm	G $\frac{1}{4}$ B	Bottom	Stainless steel 304	2,5	0/1.6 bar	RF63ST D301	88301301
63 mm	G $\frac{1}{4}$ B	Bottom	Stainless steel 304	2,5	0/2.5 bar	RF63ST D301	88302301
63 mm	G $\frac{1}{4}$ B	Bottom	Stainless steel 304	2,5	0/4 bar	RF63ST D301	88303301
63 mm	G $\frac{1}{4}$ B	Bottom	Stainless steel 304	2,5	0/6 bar	RF63ST D301	88304301
63 mm	G $\frac{1}{4}$ B	Bottom	Stainless steel 304	2,5	0/10 bar	RF63ST D301	88305301
63 mm	G $\frac{1}{4}$ B	Bottom	Stainless steel 304	2,5	0/10 bar	RF63ST D301	88306301
63 mm	G $\frac{1}{4}$ B	Bottom	Stainless steel 304	2,5	0/16 bar	RF63ST D301	88307301
63 mm	G $\frac{1}{4}$ B	Bottom	Stainless steel 304	2,5	0/25 bar	RF63ST D301	88308301
63 mm	G $\frac{1}{4}$ B	Bottom	Stainless steel 304	2,5	0/40 bar	RF63ST D301	88309301
63 mm	G $\frac{1}{4}$ B	Bottom	Stainless steel 304	2,5	0/40 bar	RF63ST D301	88310301
63 mm	G $\frac{1}{4}$ B	Bottom	Stainless steel 304	2,5	0/250 bar	RF63ST D301	88314301
63 mm	G $\frac{1}{4}$ B	Bottom	Stainless steel 304	2,5	0/315 bar	RF63ST D301	88315301
63 mm	G $\frac{1}{4}$ B	Bottom	Stainless steel 304	2,5	0/315 bar	RF63ST D301	88316301
63 mm	G $\frac{1}{4}$ B	Bottom	Stainless steel 304	2,5	0/400 bar	RF63ST D301	88317301



Blue part no. = in-stock items