



## Pressure transducers DMU 02 Industrial version



### Benefits

- Extremely resistant to shock, pulsation and vibration
- High overload safety
- Best dynamic pressure resistance at high load changes
- Wetted area without seals due to welding
- No transmission liquid

### Application

For electronic pressure measurement in industrial applications, e.g. hydraulic, pneumatic, gas industry, refrigeration, automation, medical, as well as general mechanical and plant engineering applications.

### Description

Pressure transducers convert physical pressure into an electrical signal proportional to the pressure. DMU 02 is equipped with a piezo-resistive polysilicon thin-film measuring cell.



## Technical specifications

### Measuring accuracy

Deviation from the characteristic curve according to IEC 60770 – limit point calibration (non-linearity, hysteresis, repeatability)  
< ± 0.5 % FSO

### Measuring range

See ordering table

### Overpressure safety

≤ 250 bar: At least 2 x FS  
> 250 bar: At least 1.5 x FS  
≥ 1,000 bar: At least 1.2 x FS

### Burst pressure

≤ 250 bar: At least 3 x FS  
> 250 bar: At least 2 x FS  
≥ 1,000 bar: At least 1.5 x FS

### Operating temperature range

Medium: -40/+125 °C  
Ambient: -40/+105 °C  
Storage: -40/+125 °C

### Temperature error band

≤ ± 0.15 % FSO/10 K In compensated range -25/+85 °C

### Dynamic characteristics

Response time: < 1 ms

### Process connection

G½B EN 837-1/7.3

### Material

Housing: Stainless steel 304  
Pressure connection: Stainless steel 304  
Electr. measuring cell: Stainless steel 630/304

### Supply voltage

DC 10 – 32 V

### Output signal

2-wire, 4–20 mA

### Load

$R_{Max} = [(UB - UB_{Min})/0.02 A] \Omega$

### Current input

< 25 mA

### Electrical protection

Short circuit proof and protected against reverse polarity

### Electrical connection

Connector and junction box as per ISO 4400 (DIN 43650-A)

### Degree of protection

IP 65 (EN 60529)

### CE conformity

EMC Directive 2014/30/EU  
RoHS Directive 2011/65/EU  
Pressure Equipment Directive 2014/68/EU

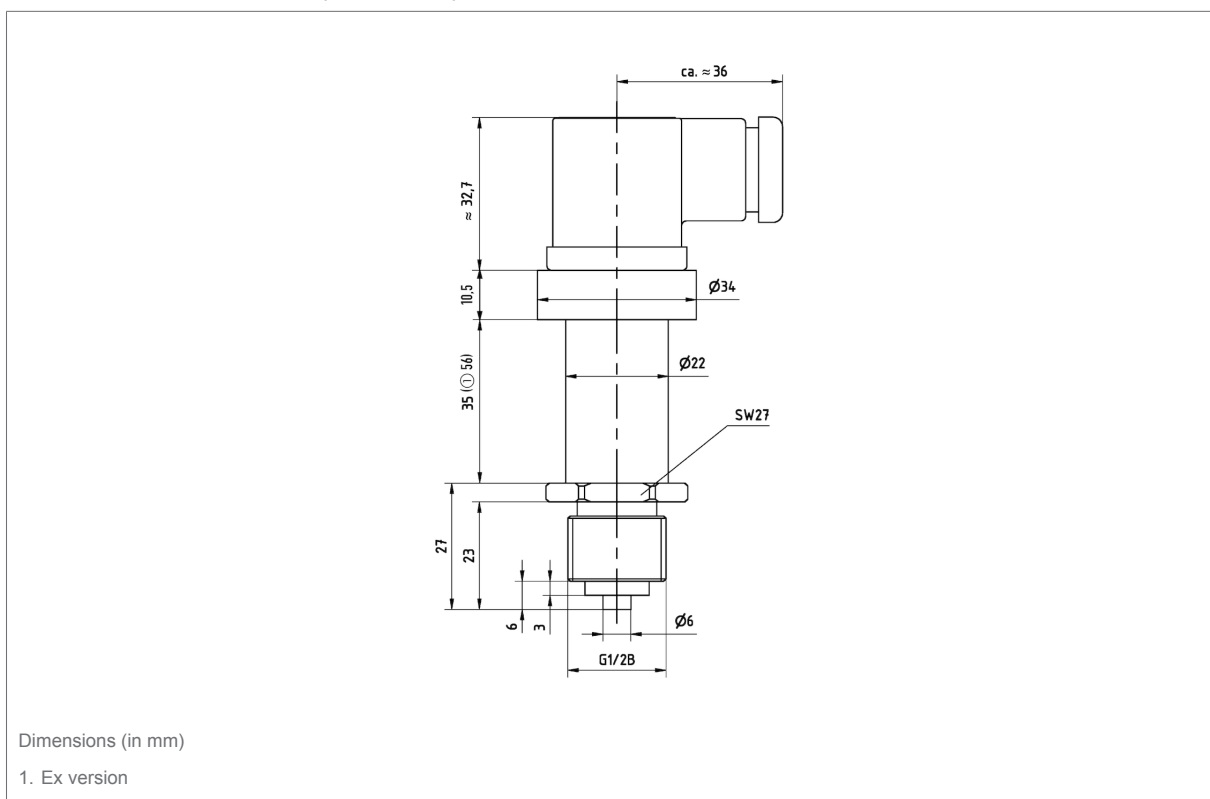
## Options

- Other connection threads
- Fixed cable connection
- Other connectors
- Other output signals
- Cleaned for oxygen



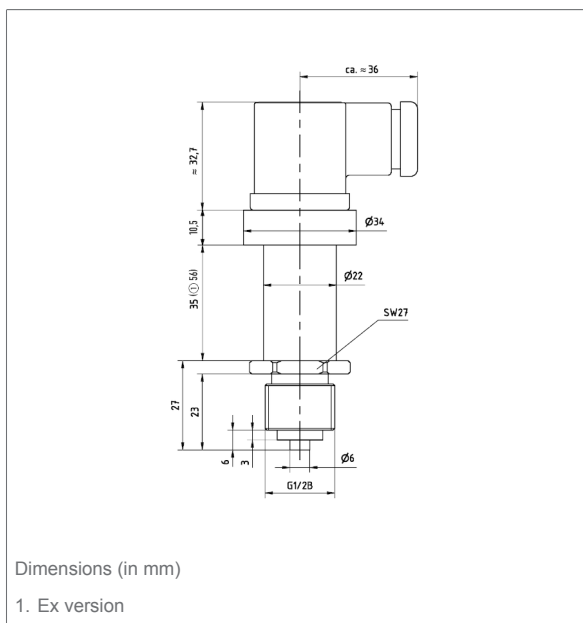
## Detail views

### DMU 02 - connector ISO 4400 (DIN 43650-A)



## Technical drawings

### DMU 02 - connector ISO 4400 (DIN 43650-A)





## Versions

Type	Connection	Measuring range	Part no.
DMU 02	G½B EN 837-1/7.3	-1/0 bar	32801
DMU 02	G½B EN 837-1/7.3	-1/+1.5 bar	32802
DMU 02	G½B EN 837-1/7.3	-1/+3 bar	32803
DMU 02	G½B EN 837-1/7.3	-1/+5 bar	32804
DMU 02	G½B EN 837-1/7.3	-1/+9 bar	32805
DMU 02	G½B EN 837-1/7.3	-1/+24 bar	32806
DMU 02	G½B EN 837-1/7.3	0/600 mbar	32807
DMU 02	G½B EN 837-1/7.3	0/1 bar	32808
DMU 02	G½B EN 837-1/7.3	0/1.6 bar	32809
DMU 02	G½B EN 837-1/7.3	0/2.5 bar	32810
DMU 02	G½B EN 837-1/7.3	0/4 bar	32811
DMU 02	G½B EN 837-1/7.3	0/6 bar	32812
DMU 02	G½B EN 837-1/7.3	0/10 bar	32813
DMU 02	G½B EN 837-1/7.3	0/16 bar	32814
DMU 02	G½B EN 837-1/7.3	0/25 bar	32815
DMU 02	G½B EN 837-1/7.3	0/40 bar	32816
DMU 02	G½B EN 837-1/7.3	0/60 bar	32817
DMU 02	G½B EN 837-1/7.3	0/100 bar	32818
DMU 02	G½B EN 837-1/7.3	0/160 bar	32819
DMU 02	G½B EN 837-1/7.3	0/250 bar	32820
DMU 02	G½B EN 837-1/7.3	0/400 bar	32821
DMU 02	G½B EN 837-1/7.3	0/600 bar	32822
DMU 02	G½B EN 837-1/7.3	0/1,000 bar	32823



Blue part no. = in-stock items