



Glycerine filled Bourdon tube pressure gauges Type D7



Benefits

- Robust stainless steel housing
- Can be used in case of heavy vibrations and high, dynamic pressure loads
- Longer service life due to less wear and corrosion protection of the measuring system
- No steaming up of the inside of the window in case of outdoor applications

Application

For gaseous and liquid media which are not highly viscous, do not crystallise and do not attack copper alloys. For measurements in areas with high vibration levels and high, dynamic pressure loads.

Technical specifications

Type
D7

Nominal size
50 – 63 – 80 – 100

Accuracy class (EN 837-1/6)
1,6
1,0

Ranges (EN 837-1/5)
See ordering table

Standard version

Connection
Brass, bottom, centre back or bottom back

Measuring element
Bourdon tube
≤ 60 bar: "C" type tube
> 60 bar: Helical tube

Movement
Brass

Dial
Aluminium, white
Scaling: Black
RF63Gly: Dual scale, bar outer, black – psi inner, red

Application area
Static load: $\frac{3}{4}$ x full scale value
Dynamic load: $\frac{2}{3}$ x full scale value
Short-term: Full scale value

Operating temperature range
Medium: Max. 60 °C
Ambient: -20/+60 °C

Degree of protection
IP 54 (EN 60529) with housing vent (≤ 25 bar)
IP 65 (EN 60529)

Pointer
Aluminium, black

Housing
Stainless steel 304, with blow-out

Crimped bezel
Stainless steel 304

Window
Plastic

Filling liquid
Glycerine (99.5 %)

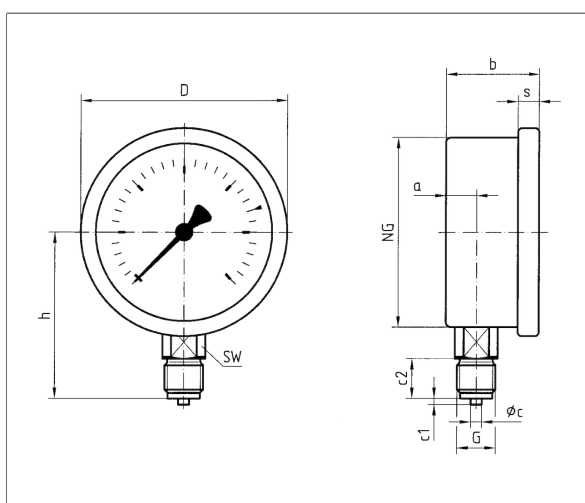


Options

- Filling liquid silicone oil
- Back flange (NG 63/80/100)
- Clamp fixing
- 3-hole fixing, panel mounting bezel
- Crimped bezel polished
- Measuring system stainless steel (up to 1,000 bar, NG 80/100)
- Special scales
- Clip reference pointer, red, adjustable (NG 63)
- Damping screw
- Other process connections

Technical drawings

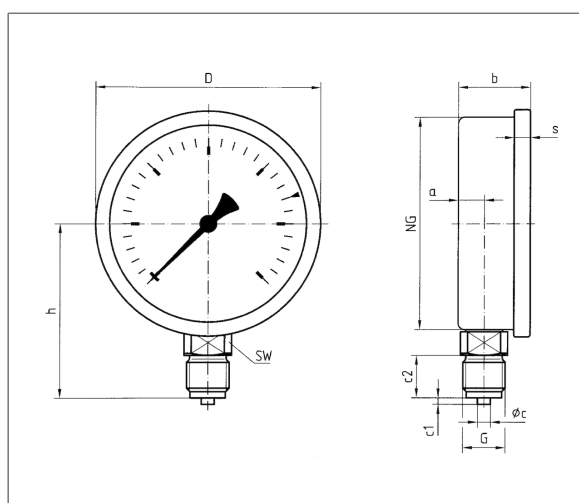
NG 50/63 – bottom connection



Dimensions (mm)

NG	a	b	øc	c1	c2	D	G	h	s	SW
50	11	28	5	2	13	53	G¼B	45,5	4,5	14
63	9,5	30,5	5	2	13	68	G¼B	53	7	14

NG 80/100 – bottom connection

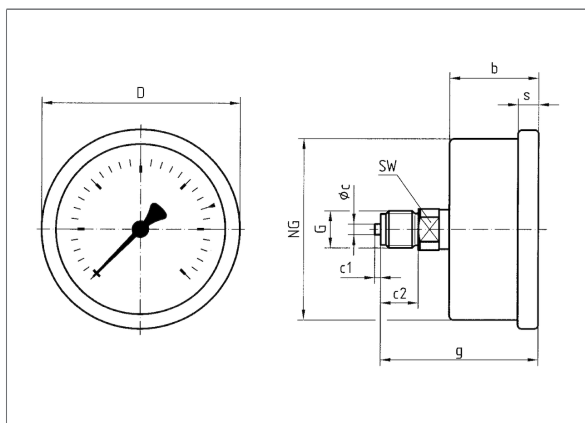


Dimensions (mm)

NG	a	b	øc	c1	c2	D	G	h	s	SW
80	12,2	33,5	6	3	20	85	G½B	71	7	22
Ms										
80	12,2	33,5	6	3	20	85	G½B	79,5	7	22
VA										
100	12,2	33,5	6	3	20	106	G½B	81	7	22
Ms										
100	11,8	33,5	6	3	20	106	G½B	90	7	22
VA										



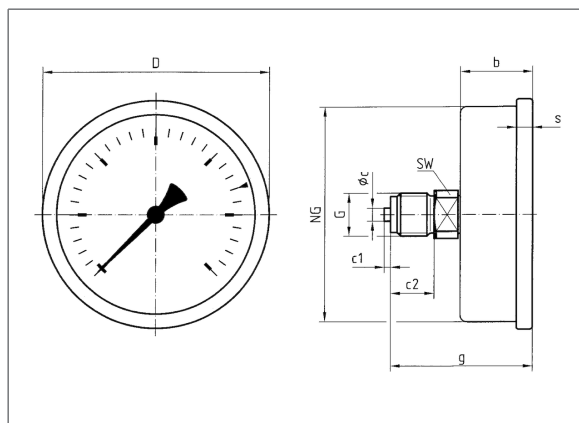
NG 50/63 – centre back connection



Dimensions (mm)

NG	b	øc	c1	c2	D	G	g	s	SW
50	28	5	2	13	53	G¼B	51	4,5	14
63	30,5	5	2	13	68	G¼B	53,3	7	14

NG 80/100 – centre back connection



Dimensions (mm)

NG	b	øc	c1	c2	D	g	G	s	SW
80 Ms	33,5	5	2	13	85	56,5	G¼B	7	14
80 VA	33,5	5	2	13	85	59	G¼B	7	14
100 Ms	33,5	6	3	20	106	65,5	G¼B	7	22
100 VA	33,5	6	3	20	106	76,5	G¼B	7	22

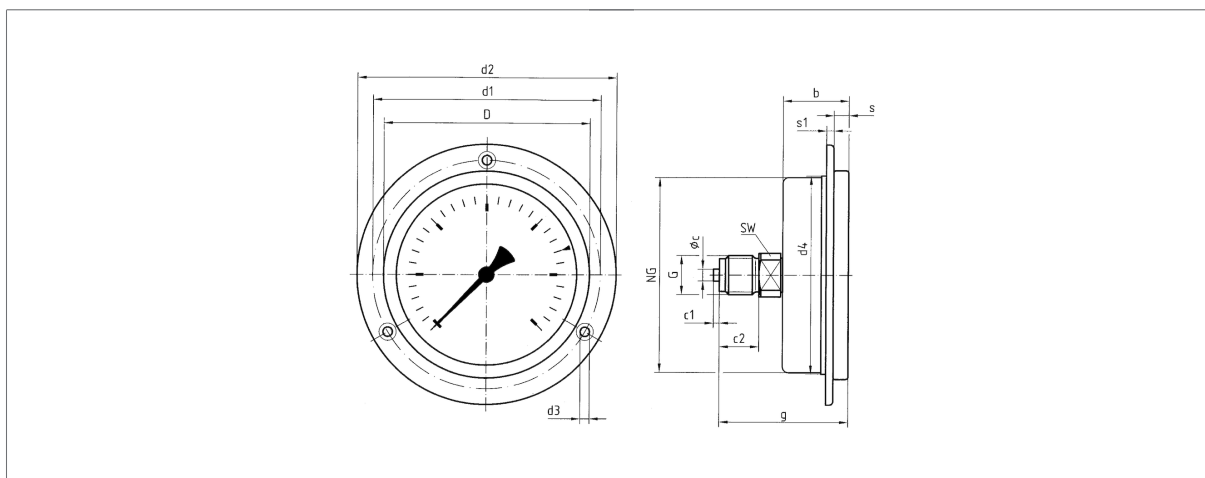
NG 50/63 – centre back connection, 3-hole fixing, panel mounting bezel



Dimensions (mm)

NG	b	øc	c1	c2	d1	d2	d3	d4	D	G	g	s1	s2	SW
63	30,5	5	2	13	75	85	3,6	64	68	G¼B	53,3	5,5	2	14

NG 100 – centre back connection, 3-hole fixing, panel mounting bezel

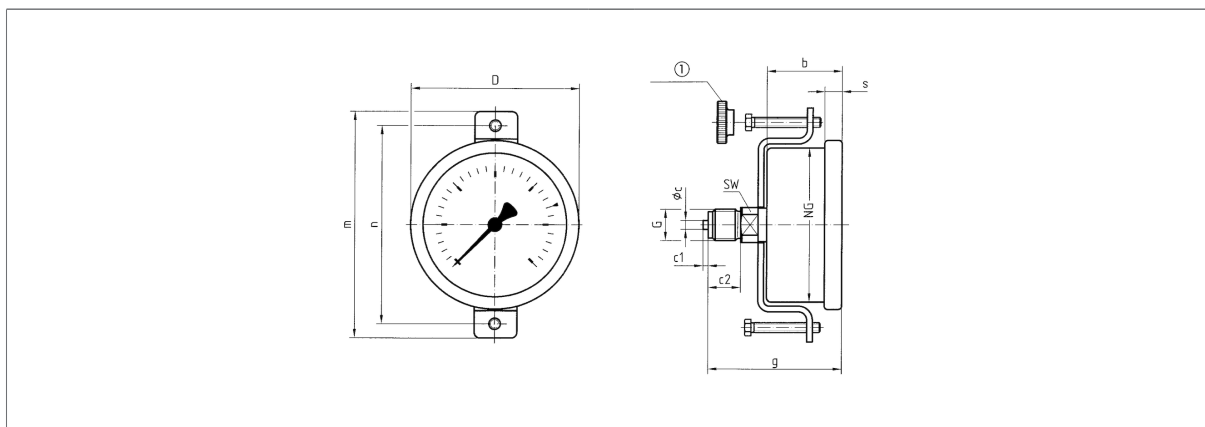


Dimensions (mm)

NG	b	øc	c1	c2	d1*	d2	d3*	d4	D	g	G	s	s1	SW
100 Ms	33,5	6	3	20	116	132	4,8	101	106	65,5	G¼B	7	3,8	22
100 VA	33,5	6	3	20	116	132	4,8	101	106	76,5	G¼B	7	3,8	22



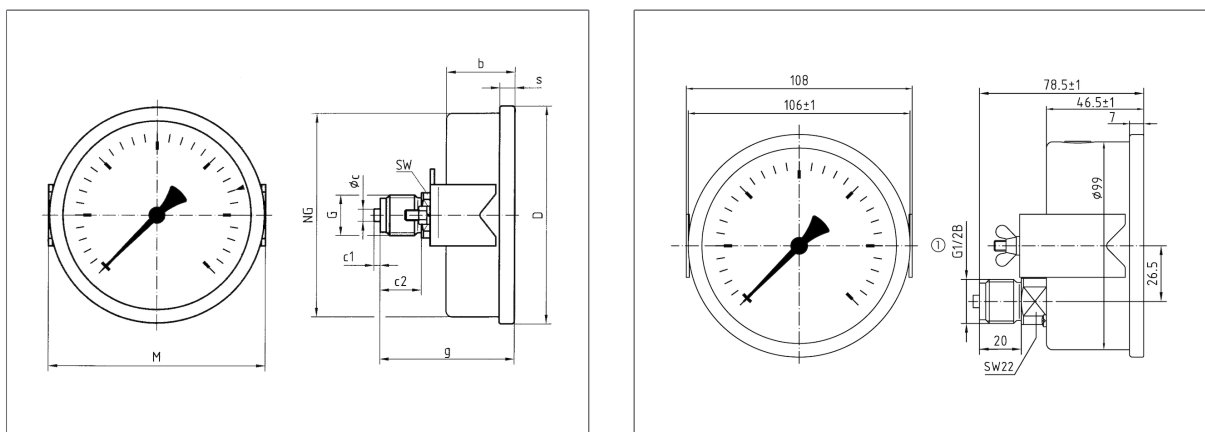
NG 50/63 – centre back connection, with clamp fixing



Dimensions (mm)

NG	b	Øc	c1	c2	D	G	g	m	n	s	SW
50	28	5	2	13	53	G¼B	51	82	73	4,5	14
63	30,5	5	2	13	68	G¼B	53,3	94	82	7	14

NG 100 – centre back connection, with clamp fixing



Dimensions (mm)

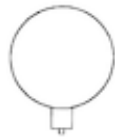
NG	b	Øc	c1	c2	D	g	G	M	s	SW
80										
Ms	33,5	5	2	13	85	56,5	G¼B	82	7	14
ax										
80										
VA ax	33,5	5	2	13	85	59	G¼B	82	7	14
100										
Ms	33,5	6	3	20	106	65,5	G½B	106	7	22
100										
VA	33,5	6	3	20	106	76,5	G½B	106	7	22



Versions

RF50Gly D701

Housing \varnothing	Connection	Alignment	Housing	Accuracy class	Range	Type	Part no.
50 mm	G $\frac{1}{4}$ B	Bottom	Stainless steel 304	1,6	-1/0 bar	RF50Gly D701	85051701
50 mm	G $\frac{1}{4}$ B	Bottom	Stainless steel 304	1,6	-1/+0.6 bar	RF50Gly D701	85052701
50 mm	G $\frac{1}{4}$ B	Bottom	Stainless steel 304	1,6	-1/+1.5 bar	RF50Gly D701	85053701
50 mm	G $\frac{1}{4}$ B	Bottom	Stainless steel 304	1,6	-1/+3 bar	RF50Gly D701	85054701
50 mm	G $\frac{1}{4}$ B	Bottom	Stainless steel 304	1,6	-1/+5 bar	RF50Gly D701	85055701
50 mm	G $\frac{1}{4}$ B	Bottom	Stainless steel 304	1,6	-1/+9 bar	RF50Gly D701	85056701
50 mm	G $\frac{1}{4}$ B	Bottom	Stainless steel 304	1,6	-1/+15 bar	RF50Gly D701	85057701
50 mm	G $\frac{1}{4}$ B	Bottom	Stainless steel 304	1,6	0/0.6 bar	RF50Gly D701	85059701
50 mm	G $\frac{1}{4}$ B	Bottom	Stainless steel 304	1,6	0/1 bar	RF50Gly D701	85060701
50 mm	G $\frac{1}{4}$ B	Bottom	Stainless steel 304	1,6	0/1.6 bar	RF50Gly D701	85061701
50 mm	G $\frac{1}{4}$ B	Bottom	Stainless steel 304	1,6	0/2.5 bar	RF50Gly D701	85062701
50 mm	G $\frac{1}{4}$ B	Bottom	Stainless steel 304	1,6	0/4 bar	RF50Gly D701	85063701
50 mm	G $\frac{1}{4}$ B	Bottom	Stainless steel 304	1,6	0/6 bar	RF50Gly D701	85064701
50 mm	G $\frac{1}{4}$ B	Bottom	Stainless steel 304	1,6	0/10 bar	RF50Gly D701	85065701
50 mm	G $\frac{1}{4}$ B	Bottom	Stainless steel 304	1,6	0/16 bar	RF50Gly D701	85066701
50 mm	G $\frac{1}{4}$ B	Bottom	Stainless steel 304	1,6	0/25 bar	RF50Gly D701	85067701
50 mm	G $\frac{1}{4}$ B	Bottom	Stainless steel 304	1,6	0/40 bar	RF50Gly D701	85068701
50 mm	G $\frac{1}{4}$ B	Bottom	Stainless steel 304	1,6	0/60 bar	RF50Gly D701	85069701
50 mm	G $\frac{1}{4}$ B	Bottom	Stainless steel 304	1,6	0/100 bar	RF50Gly D701	85070701
50 mm	G $\frac{1}{4}$ B	Bottom	Stainless steel 304	1,6	0/160 bar	RF50Gly D701	85071701
50 mm	G $\frac{1}{4}$ B	Bottom	Stainless steel 304	1,6	0/250 bar	RF50Gly D701	85072701
50 mm	G $\frac{1}{4}$ B	Bottom	Stainless steel 304	1,6	0/400 bar	RF50Gly D701	85073701

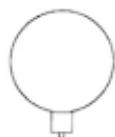


Blue part no. = in-stock items



RF63Gly D701

Housing \varnothing	Connection	Alignment	Housing	Accuracy class	Range	Type	Part no.
63 mm	G $\frac{1}{4}$ B	Bottom	Stainless steel 304	1,6	-1/0 bar	RF63Gly D701	85101701
63 mm	G $\frac{1}{4}$ B	Bottom	Stainless steel 304	1,6	-1/+0.6 bar	RF63Gly D701	85102701
63 mm	G $\frac{1}{4}$ B	Bottom	Stainless steel 304	1,6	-1/+1.5 bar	RF63Gly D701	85103701
63 mm	G $\frac{1}{4}$ B	Bottom	Stainless steel 304	1,6	-1/+3 bar	RF63Gly D701	85104701
63 mm	G $\frac{1}{4}$ B	Bottom	Stainless steel 304	1,6	-1/+5 bar	RF63Gly D701	85105701
63 mm	G $\frac{1}{4}$ B	Bottom	Stainless steel 304	1,6	-1/+9 bar	RF63Gly D701	85106701
63 mm	G $\frac{1}{4}$ B	Bottom	Stainless steel 304	1,6	-1/+15 bar	RF63Gly D701	85107701
63 mm	G $\frac{1}{4}$ B	Bottom	Stainless steel 304	1,6	0/0.6 bar	RF63Gly D701	85109701
63 mm	G $\frac{1}{4}$ B	Bottom	Stainless steel 304	1,6	0/1 bar	RF63Gly D701	85110701
63 mm	G $\frac{1}{4}$ B	Bottom	Stainless steel 304	1,6	0/1.6 bar	RF63Gly D701	85111701
63 mm	G $\frac{1}{4}$ B	Bottom	Stainless steel 304	1,6	0/2.5 bar	RF63Gly D701	85112701
63 mm	G $\frac{1}{4}$ B	Bottom	Stainless steel 304	1,6	0/4 bar	RF63Gly D701	85113701
63 mm	G $\frac{1}{4}$ B	Bottom	Stainless steel 304	1,6	0/6 bar	RF63Gly D701	85114701
63 mm	G $\frac{1}{4}$ B	Bottom	Stainless steel 304	1,6	0/10 bar	RF63Gly D701	85115701
63 mm	G $\frac{1}{4}$ B	Bottom	Stainless steel 304	1,6	0/16 bar	RF63Gly D701	85116701
63 mm	G $\frac{1}{4}$ B	Bottom	Stainless steel 304	1,6	0/25 bar	RF63Gly D701	85117701
63 mm	G $\frac{1}{4}$ B	Bottom	Stainless steel 304	1,6	0/40 bar	RF63Gly D701	85118701
63 mm	G $\frac{1}{4}$ B	Bottom	Stainless steel 304	1,6	0/60 bar	RF63Gly D701	85119701
63 mm	G $\frac{1}{4}$ B	Bottom	Stainless steel 304	1,6	0/100 bar	RF63Gly D701	85120701
63 mm	G $\frac{1}{4}$ B	Bottom	Stainless steel 304	1,6	0/160 bar	RF63Gly D701	85121701
63 mm	G $\frac{1}{4}$ B	Bottom	Stainless steel 304	1,6	0/250 bar	RF63Gly D701	85122701
63 mm	G $\frac{1}{4}$ B	Bottom	Stainless steel 304	1,6	0/315 bar	RF63Gly D701	86818701
63 mm	G $\frac{1}{4}$ B	Bottom	Stainless steel 304	1,6	0/400 bar	RF63Gly D701	85123701
63 mm	G $\frac{1}{4}$ B	Bottom	Stainless steel 304	1,6	0/600 bar	RF63Gly D701	85124701

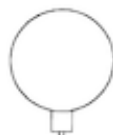


Blue part no. = in-stock items



RF80Gly D701

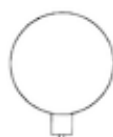
Housing \varnothing	Connection	Alignment	Housing	Accuracy class	Range	Type	Part no.
80 mm	G½B	Bottom	Stainless steel 304	1,6	-1/0 bar	RF80Gly D701	85151701
80 mm	G½B	Bottom	Stainless steel 304	1,6	-1/+0.6 bar	RF80Gly D701	85152701
80 mm	G½B	Bottom	Stainless steel 304	1,6	-1/+1.5 bar	RF80Gly D701	85153701
80 mm	G½B	Bottom	Stainless steel 304	1,6	-1/+3 bar	RF80Gly D701	85154701
80 mm	G½B	Bottom	Stainless steel 304	1,6	-1/+5 bar	RF80Gly D701	85155701
80 mm	G½B	Bottom	Stainless steel 304	1,6	-1/+9 bar	RF80Gly D701	85156701
80 mm	G½B	Bottom	Stainless steel 304	1,6	-1/+15 bar	RF80Gly D701	85157701
80 mm	G½B	Bottom	Stainless steel 304	1,6	0/1 bar	RF80Gly D701	85160701
80 mm	G½B	Bottom	Stainless steel 304	1,6	0/1.6 bar	RF80Gly D701	85161701
80 mm	G½B	Bottom	Stainless steel 304	1,6	0/2.5 bar	RF80Gly D701	85162701
80 mm	G½B	Bottom	Stainless steel 304	1,6	0/4 bar	RF80Gly D701	85163701
80 mm	G½B	Bottom	Stainless steel 304	1,6	0/6 bar	RF80Gly D701	85164701
80 mm	G½B	Bottom	Stainless steel 304	1,6	0/10 bar	RF80Gly D701	85165701
80 mm	G½B	Bottom	Stainless steel 304	1,6	0/16 bar	RF80Gly D701	85166701
80 mm	G½B	Bottom	Stainless steel 304	1,6	0/25 bar	RF80Gly D701	85167701
80 mm	G½B	Bottom	Stainless steel 304	1,6	0/40 bar	RF80Gly D701	85168701
80 mm	G½B	Bottom	Stainless steel 304	1,6	0/60 bar	RF80Gly D701	85169701
80 mm	G½B	Bottom	Stainless steel 304	1,6	0/100 bar	RF80Gly D701	85170701
80 mm	G½B	Bottom	Stainless steel 304	1,6	0/160 bar	RF80Gly D701	85171701
80 mm	G½B	Bottom	Stainless steel 304	1,6	0/250 bar	RF80Gly D701	85172701
80 mm	G½B	Bottom	Stainless steel 304	1,6	0/400 bar	RF80Gly D701	85173701



Blue part no. = in-stock items

RF100Gly D701

Housing \varnothing	Connection	Alignment	Housing	Accuracy class	Range	Type	Part no.
100 mm	G½B	Bottom	Stainless steel 304	1,6	-1/0 bar	RF100Gly D701	85201701
100 mm	G½B	Bottom	Stainless steel 304	1,6	-1/+0.6 bar	RF100Gly D701	85202701
100 mm	G½B	Bottom	Stainless steel 304	1,6	-1/+1.5 bar	RF100Gly D701	85203701
100 mm	G½B	Bottom	Stainless steel 304	1,6	-1/+3 bar	RF100Gly D701	85204701



Blue part no. = in-stock items



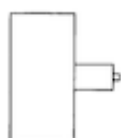
Housing [⊗]	Connection	Alignment	Housing	Accuracy class	Range	Type	Part no.
100 mm	G½B	Bottom	Stainless steel 304	1,6	-1/+5 bar	RF100Gly D701	85205701
100 mm	G½B	Bottom	Stainless steel 304	1,6	-1/+9 bar	RF100Gly D701	85206701
100 mm	G½B	Bottom	Stainless steel 304	1,6	-1/+15 bar	RF100Gly D701	85207701
100 mm	G½B	Bottom	Stainless steel 304	1,6	0/1 bar	RF100Gly D701	85210701
100 mm	G½B	Bottom	Stainless steel 304	1,6	0/1.6 bar	RF100Gly D701	85211701
100 mm	G½B	Bottom	Stainless steel 304	1,6	0/2.5 bar	RF100Gly D701	85212701
100 mm	G½B	Bottom	Stainless steel 304	1,6	0/4 bar	RF100Gly D701	85213701
100 mm	G½B	Bottom	Stainless steel 304	1,6	0/6 bar	RF100Gly D701	85214701
100 mm	G½B	Bottom	Stainless steel 304	1,6	0/10 bar	RF100Gly D701	85215701
100 mm	G½B	Bottom	Stainless steel 304	1,6	0/16 bar	RF100Gly D701	85216701
100 mm	G½B	Bottom	Stainless steel 304	1,6	0/25 bar	RF100Gly D701	85217701
100 mm	G½B	Bottom	Stainless steel 304	1,6	0/40 bar	RF100Gly D701	85218701
100 mm	G½B	Bottom	Stainless steel 304	1,6	0/60 bar	RF100Gly D701	85219701
100 mm	G½B	Bottom	Stainless steel 304	1,6	0/100 bar	RF100Gly D701	85220701
100 mm	G½B	Bottom	Stainless steel 304	1,6	0/160 bar	RF100Gly D701	85221701
100 mm	G½B	Bottom	Stainless steel 304	1,6	0/250 bar	RF100Gly D701	85222701
100 mm	G½B	Bottom	Stainless steel 304	1,6	0/400 bar	RF100Gly D701	85223701

Blue part no. = in-stock items

RF50Gly D711

Housing [⊗]	Connection	Alignment	Housing	Accuracy class	Range	Type	Part no.
50 mm	G¼B	Centre back	Stainless steel 304	1,6	-1/0 bar	RF50Gly D711	85051711
50 mm	G¼B	Centre back	Stainless steel 304	1,6	-1/+0.6 bar	RF50Gly D711	85052711
50 mm	G¼B	Centre back	Stainless steel 304	1,6	-1/+1.5 bar	RF50Gly D711	85053711
50 mm	G¼B	Centre back	Stainless steel 304	1,6	-1/+3 bar	RF50Gly D711	85054711
50 mm	G¼B	Centre back	Stainless steel 304	1,6	-1/+5 bar	RF50Gly D711	85055711
50 mm	G¼B	Centre back	Stainless steel 304	1,6	-1/+9 bar	RF50Gly D711	85056711
50 mm	G¼B	Centre back	Stainless steel 304	1,6	-1/+15 bar	RF50Gly D711	85057711
50 mm	G¼B	Centre back	Stainless steel 304	1,6	0/0.6 bar	RF50Gly D711	85059711
50 mm	G¼B	Centre back	Stainless steel 304	1,6	0/1 bar	RF50Gly D711	85060711

Blue part no. = in-stock items





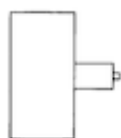
Housing \varnothing	Connection	Alignment	Housing	Accuracy class	Range	Type	Part no.
50 mm	G $\frac{1}{4}$ B	Centre back	Stainless steel 304	1,6	0/1.6 bar	RF50Gly D711	85061711
50 mm	G $\frac{1}{4}$ B	Centre back	Stainless steel 304	1,6	0/2.5 bar	RF50Gly D711	85062711
50 mm	G $\frac{1}{4}$ B	Centre back	Stainless steel 304	1,6	0/4 bar	RF50Gly D711	85063711
50 mm	G $\frac{1}{4}$ B	Centre back	Stainless steel 304	1,6	0/6 bar	RF50Gly D711	85064711
50 mm	G $\frac{1}{4}$ B	Centre back	Stainless steel 304	1,6	0/10 bar	RF50Gly D711	85065711
50 mm	G $\frac{1}{4}$ B	Centre back	Stainless steel 304	1,6	0/16 bar	RF50Gly D711	85066711
50 mm	G $\frac{1}{4}$ B	Centre back	Stainless steel 304	1,6	0/25 bar	RF50Gly D711	85067711
50 mm	G $\frac{1}{4}$ B	Centre back	Stainless steel 304	1,6	0/40 bar	RF50Gly D711	85068711
50 mm	G $\frac{1}{4}$ B	Centre back	Stainless steel 304	1,6	0/60 bar	RF50Gly D711	85069711
50 mm	G $\frac{1}{4}$ B	Centre back	Stainless steel 304	1,6	0/100 bar	RF50Gly D711	85070711
50 mm	G $\frac{1}{4}$ B	Centre back	Stainless steel 304	1,6	0/160 bar	RF50Gly D711	85071711
50 mm	G $\frac{1}{4}$ B	Centre back	Stainless steel 304	1,6	0/250 bar	RF50Gly D711	85072711
50 mm	G $\frac{1}{4}$ B	Centre back	Stainless steel 304	1,6	0/400 bar	RF50Gly D711	85073711

Blue part no. = in-stock items

RF63Gly D711

Housing \varnothing	Connection	Alignment	Housing	Accuracy class	Range	Type	Part no.
63 mm	G $\frac{1}{4}$ B	Centre back	Stainless steel 304	1,6	-1/0 bar	RF63Gly D711	85101711
63 mm	G $\frac{1}{4}$ B	Centre back	Stainless steel 304	1,6	-1/+0.6 bar	RF63Gly D711	85102711
63 mm	G $\frac{1}{4}$ B	Centre back	Stainless steel 304	1,6	-1/+1.5 bar	RF63Gly D711	85103711
63 mm	G $\frac{1}{4}$ B	Centre back	Stainless steel 304	1,6	-1/+3 bar	RF63Gly D711	85104711
63 mm	G $\frac{1}{4}$ B	Centre back	Stainless steel 304	1,6	-1/+5 bar	RF63Gly D711	85105711
63 mm	G $\frac{1}{4}$ B	Centre back	Stainless steel 304	1,6	-1/+9 bar	RF63Gly D711	85106711
63 mm	G $\frac{1}{4}$ B	Centre back	Stainless steel 304	1,6	-1/+15 bar	RF63Gly D711	85107711
63 mm	G $\frac{1}{4}$ B	Centre back	Stainless steel 304	1,6	0/0.6 bar	RF63Gly D711	85109711
63 mm	G $\frac{1}{4}$ B	Centre back	Stainless steel 304	1,6	0/1 bar	RF63Gly D711	85110711
63 mm	G $\frac{1}{4}$ B	Centre back	Stainless steel 304	1,6	0/1.6 bar	RF63Gly D711	85111711
63 mm	G $\frac{1}{4}$ B	Centre back	Stainless steel 304	1,6	0/2.5 bar	RF63Gly D711	85112711
63 mm	G $\frac{1}{4}$ B	Centre back	Stainless steel 304	1,6	0/4 bar	RF63Gly D711	85113711
63 mm	G $\frac{1}{4}$ B	Centre back	Stainless steel 304	1,6	0/6 bar	RF63Gly D711	85114711

Blue part no. = in-stock items





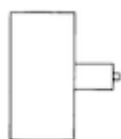
Housing ^ø	Connection	Alignment	Housing	Accuracy class	Range	Type	Part no.
63 mm	G¼B	Centre back	Stainless steel 304	1,6	0/10 bar	RF63Gly D711	85115711
63 mm	G¼B	Centre back	Stainless steel 304	1,6	0/16 bar	RF63Gly D711	85116711
63 mm	G¼B	Centre back	Stainless steel 304	1,6	0/25 bar	RF63Gly D711	85117711
63 mm	G¼B	Centre back	Stainless steel 304	1,6	0/40 bar	RF63Gly D711	85118711
63 mm	G¼B	Centre back	Stainless steel 304	1,6	0/60 bar	RF63Gly D711	85119711
63 mm	G¼B	Centre back	Stainless steel 304	1,6	0/100 bar	RF63Gly D711	85120711
63 mm	G¼B	Centre back	Stainless steel 304	1,6	0/160 bar	RF63Gly D711	85121711
63 mm	G¼B	Centre back	Stainless steel 304	1,6	0/250 bar	RF63Gly D711	85122711
63 mm	G¼B	Centre back	Stainless steel 304	1,6	0/315 bar	RF63Gly D711	86818711
63 mm	G¼B	Centre back	Stainless steel 304	1,6	0/400 bar	RF63Gly D711	85123711
63 mm	G¼B	Centre back	Stainless steel 304	1,6	0/600 bar	RF63Gly D711	85124711

Blue part no. = in-stock items

RF80Gly D711

Housing ^ø	Connection	Alignment	Housing	Accuracy class	Range	Type	Part no.
80 mm	G¼B	Centre back	Stainless steel 304	1,6	-1/0 bar	RF80Gly D711	85151711
80 mm	G¼B	Centre back	Stainless steel 304	1,6	-1/+0.6 bar	RF80Gly D711	85152711
80 mm	G¼B	Centre back	Stainless steel 304	1,6	-1/+1.5 bar	RF80Gly D711	85153711
80 mm	G¼B	Centre back	Stainless steel 304	1,6	-1/+3 bar	RF80Gly D711	85154711
80 mm	G¼B	Centre back	Stainless steel 304	1,6	-1/+5 bar	RF80Gly D711	85155711
80 mm	G¼B	Centre back	Stainless steel 304	1,6	-1/+9 bar	RF80Gly D711	85156711
80 mm	G¼B	Centre back	Stainless steel 304	1,6	-1/+15 bar	RF80Gly D711	85157711
80 mm	G¼B	Centre back	Stainless steel 304	1,6	0/1 bar	RF80Gly D711	85160711
80 mm	G¼B	Centre back	Stainless steel 304	1,6	0/1.6 bar	RF80Gly D711	85161711
80 mm	G¼B	Centre back	Stainless steel 304	1,6	0/2.5 bar	RF80Gly D711	85162711
80 mm	G¼B	Centre back	Stainless steel 304	1,6	0/4 bar	RF80Gly D711	85163711
80 mm	G¼B	Centre back	Stainless steel 304	1,6	0/6 bar	RF80Gly D711	85164711
80 mm	G¼B	Centre back	Stainless steel 304	1,6	0/10 bar	RF80Gly D711	85165711
80 mm	G¼B	Centre back	Stainless steel 304	1,6	0/16 bar	RF80Gly D711	85166711
80 mm	G¼B	Centre back	Stainless steel 304	1,6	0/25 bar	RF80Gly D711	85167711

Blue part no. = in-stock items





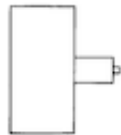
Housing \varnothing	Connection	Alignment	Housing	Accuracy class	Range	Type	Part no.
80 mm	G $\frac{1}{4}$ B	Centre back	Stainless steel 304	1,6	0/40 bar	RF80Gly D711	85168711
80 mm	G $\frac{1}{4}$ B	Centre back	Stainless steel 304	1,6	0/60 bar	RF80Gly D711	85169711
80 mm	G $\frac{1}{4}$ B	Centre back	Stainless steel 304	1,6	0/100 bar	RF80Gly D711	85170711
80 mm	G $\frac{1}{4}$ B	Centre back	Stainless steel 304	1,6	0/160 bar	RF80Gly D711	85171711
80 mm	G $\frac{1}{4}$ B	Centre back	Stainless steel 304	1,6	0/250 bar	RF80Gly D711	85172711
80 mm	G $\frac{1}{4}$ B	Centre back	Stainless steel 304	1,6	0/400 bar	RF80Gly D711	85173711

Blue part no. = in-stock items

RF100Gly D711

Housing \varnothing	Connection	Alignment	Housing	Accuracy class	Range	Type	Part no.
100 mm	G $\frac{1}{2}$ B	Centre back	Stainless steel 304	1,6	-1/0 bar	RF100Gly D711	85201711
100 mm	G $\frac{1}{2}$ B	Centre back	Stainless steel 304	1,6	-1/+0.6 bar	RF100Gly D711	85202711
100 mm	G $\frac{1}{2}$ B	Centre back	Stainless steel 304	1,6	-1/+1.5 bar	RF100Gly D711	85203711
100 mm	G $\frac{1}{2}$ B	Centre back	Stainless steel 304	1,6	-1/+3 bar	RF100Gly D711	85204711
100 mm	G $\frac{1}{2}$ B	Centre back	Stainless steel 304	1,6	-1/+5 bar	RF100Gly D711	85205711
100 mm	G $\frac{1}{2}$ B	Centre back	Stainless steel 304	1,6	-1/+9 bar	RF100Gly D711	85206711
100 mm	G $\frac{1}{2}$ B	Centre back	Stainless steel 304	1,6	-1/+15 bar	RF100Gly D711	85207711
100 mm	G $\frac{1}{2}$ B	Centre back	Stainless steel 304	1,6	0/1 bar	RF100Gly D711	85210711
100 mm	G $\frac{1}{2}$ B	Centre back	Stainless steel 304	1,6	0/1.6 bar	RF100Gly D711	85211711
100 mm	G $\frac{1}{2}$ B	Centre back	Stainless steel 304	1,6	0/2.5 bar	RF100Gly D711	85212711
100 mm	G $\frac{1}{2}$ B	Centre back	Stainless steel 304	1,6	0/4 bar	RF100Gly D711	85213711
100 mm	G $\frac{1}{2}$ B	Centre back	Stainless steel 304	1,6	0/6 bar	RF100Gly D711	85214711
100 mm	G $\frac{1}{2}$ B	Centre back	Stainless steel 304	1,6	0/10 bar	RF100Gly D711	85215711
100 mm	G $\frac{1}{2}$ B	Centre back	Stainless steel 304	1,6	0/16 bar	RF100Gly D711	85216711
100 mm	G $\frac{1}{2}$ B	Centre back	Stainless steel 304	1,6	0/25 bar	RF100Gly D711	85217711
100 mm	G $\frac{1}{2}$ B	Centre back	Stainless steel 304	1,6	0/40 bar	RF100Gly D711	85218711
100 mm	G $\frac{1}{2}$ B	Centre back	Stainless steel 304	1,6	0/60 bar	RF100Gly D711	85219711
100 mm	G $\frac{1}{2}$ B	Centre back	Stainless steel 304	1,6	0/100 bar	RF100Gly D711	85220711

Blue part no. = in-stock items





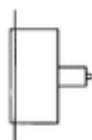
Housing [⊗]	Connection	Alignment	Housing	Accuracy class	Range	Type	Part no.
100 mm	G½B	Centre back	Stainless steel 304	1,6	0/160 bar	RF100Gly D711	85221711
100 mm	G½B	Centre back	Stainless steel 304	1,6	0/250 bar	RF100Gly D711	85222711
100 mm	G½B	Centre back	Stainless steel 304	1,6	0/400 bar	RF100Gly D711	85223711

Blue part no. = in-stock items

RF63Gly D731

Housing [⊗]	Connection	Alignment	Housing	Accuracy class	Range	Type	Part no.
63 mm	G¼B	Centre back	Stainless steel 304	1,6	-1/0 bar	RF63Gly D731	85101731
63 mm	G¼B	Centre back	Stainless steel 304	1,6	-1/+0.6 bar	RF63Gly D731	85102731
63 mm	G¼B	Centre back	Stainless steel 304	1,6	-1/+1.5 bar	RF63Gly D731	85103731
63 mm	G¼B	Centre back	Stainless steel 304	1,6	-1/+3 bar	RF63Gly D731	85104731
63 mm	G¼B	Centre back	Stainless steel 304	1,6	-1/+5 bar	RF63Gly D731	85105731
63 mm	G¼B	Centre back	Stainless steel 304	1,6	-1/+9 bar	RF63Gly D731	85106731
63 mm	G¼B	Centre back	Stainless steel 304	1,6	-1/+15 bar	RF63Gly D731	85107731
63 mm	G¼B	Centre back	Stainless steel 304	1,6	0/0.6 bar	RF63Gly D731	85109731
63 mm	G¼B	Centre back	Stainless steel 304	1,6	0/1 bar	RF63Gly D731	85110731
63 mm	G¼B	Centre back	Stainless steel 304	1,6	0/1.6 bar	RF63Gly D731	85111731
63 mm	G¼B	Centre back	Stainless steel 304	1,6	0/2.5 bar	RF63Gly D731	85112731
63 mm	G¼B	Centre back	Stainless steel 304	1,6	0/4 bar	RF63Gly D731	85113731
63 mm	G¼B	Centre back	Stainless steel 304	1,6	0/6 bar	RF63Gly D731	85114731
63 mm	G¼B	Centre back	Stainless steel 304	1,6	0/10 bar	RF63Gly D731	85115731
63 mm	G¼B	Centre back	Stainless steel 304	1,6	0/16 bar	RF63Gly D731	85116731
63 mm	G¼B	Centre back	Stainless steel 304	1,6	0/25 bar	RF63Gly D731	85117731
63 mm	G¼B	Centre back	Stainless steel 304	1,6	0/40 bar	RF63Gly D731	85118731
63 mm	G¼B	Centre back	Stainless steel 304	1,6	0/60 bar	RF63Gly D731	85119731
63 mm	G¼B	Centre back	Stainless steel 304	1,6	0/100 bar	RF63Gly D731	85120731
63 mm	G¼B	Centre back	Stainless steel 304	1,6	0/160 bar	RF63Gly D731	85121731
63 mm	G¼B	Centre back	Stainless steel 304	1,6	0/250 bar	RF63Gly D731	85122731

Blue part no. = in-stock items





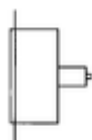
Housing [⊗]	Connection	Alignment	Housing	Accuracy class	Range	Type	Part no.
63 mm	G¼B	Centre back	Stainless steel 304	1,6	0/315 bar	RF63Gly D731	86818731
63 mm	G¼B	Centre back	Stainless steel 304	1,6	0/400 bar	RF63Gly D731	85123731
63 mm	G¼B	Centre back	Stainless steel 304	1,6	0/600 bar	RF63Gly D731	85124731

Blue part no. = in-stock items

RF100Gly D731

Housing [⊗]	Connection	Alignment	Housing	Accuracy class	Range	Type	Part no.
100 mm	G½B	Centre back	Stainless steel 304	1,6	-1/0 bar	RF100Gly D731	85201731
100 mm	G½B	Centre back	Stainless steel 304	1,6	-1/+0.6 bar	RF100Gly D731	85202731
100 mm	G½B	Centre back	Stainless steel 304	1,6	-1/+1.5 bar	RF100Gly D731	85203731
100 mm	G½B	Centre back	Stainless steel 304	1,6	-1/+3 bar	RF100Gly D731	85204731
100 mm	G½B	Centre back	Stainless steel 304	1,6	-1/+5 bar	RF100Gly D731	85205731
100 mm	G½B	Centre back	Stainless steel 304	1,6	-1/+9 bar	RF100Gly D731	85206731
100 mm	G½B	Centre back	Stainless steel 304	1,6	-1/+15 bar	RF100Gly D731	85207731
100 mm	G½B	Centre back	Stainless steel 304	1,6	0/1 bar	RF100Gly D731	85210731
100 mm	G½B	Centre back	Stainless steel 304	1,6	0/1.6 bar	RF100Gly D731	85211731
100 mm	G½B	Centre back	Stainless steel 304	1,6	0/2.5 bar	RF100Gly D731	85212731
100 mm	G½B	Centre back	Stainless steel 304	1,6	0/4 bar	RF100Gly D731	85213731
100 mm	G½B	Centre back	Stainless steel 304	1,6	0/6 bar	RF100Gly D731	85214731
100 mm	G½B	Centre back	Stainless steel 304	1,6	0/10 bar	RF100Gly D731	85215731
100 mm	G½B	Centre back	Stainless steel 304	1,6	0/16 bar	RF100Gly D731	85216731
100 mm	G½B	Centre back	Stainless steel 304	1,6	0/25 bar	RF100Gly D731	85217731
100 mm	G½B	Centre back	Stainless steel 304	1,6	0/40 bar	RF100Gly D731	85218731
100 mm	G½B	Centre back	Stainless steel 304	1,6	0/60 bar	RF100Gly D731	85219731
100 mm	G½B	Centre back	Stainless steel 304	1,6	0/100 bar	RF100Gly D731	85220731
100 mm	G½B	Centre back	Stainless steel 304	1,6	0/160 bar	RF100Gly D731	85221731
100 mm	G½B	Centre back	Stainless steel 304	1,6	0/250 bar	RF100Gly D731	85222731
100 mm	G½B	Centre back	Stainless steel 304	1,6	0/400 bar	RF100Gly D731	85223731

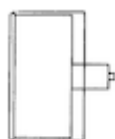
Blue part no. = in-stock items





RF50Gly D751

Housing \varnothing	Connection	Alignment	Housing	Accuracy class	Range	Type	Part no.
50 mm	G $\frac{1}{4}$ B	Centre back	Stainless steel 304	1,6	-1/0 bar	RF50Gly D751	85051751
50 mm	G $\frac{1}{4}$ B	Centre back	Stainless steel 304	1,6	-1/+0.6 bar	RF50Gly D751	85052751
50 mm	G $\frac{1}{4}$ B	Centre back	Stainless steel 304	1,6	-1/+1.5 bar	RF50Gly D751	85053751
50 mm	G $\frac{1}{4}$ B	Centre back	Stainless steel 304	1,6	-1/+3 bar	RF50Gly D751	85054751
50 mm	G $\frac{1}{4}$ B	Centre back	Stainless steel 304	1,6	-1/+5 bar	RF50Gly D751	85055751
50 mm	G $\frac{1}{4}$ B	Centre back	Stainless steel 304	1,6	-1/+9 bar	RF50Gly D751	85056751
50 mm	G $\frac{1}{4}$ B	Centre back	Stainless steel 304	1,6	-1/+15 bar	RF50Gly D751	85057751
50 mm	G $\frac{1}{4}$ B	Centre back	Stainless steel 304	1,6	0/0.6 bar	RF50Gly D751	85059751
50 mm	G $\frac{1}{4}$ B	Centre back	Stainless steel 304	1,6	0/1 bar	RF50Gly D751	85060751
50 mm	G $\frac{1}{4}$ B	Centre back	Stainless steel 304	1,6	0/1.6 bar	RF50Gly D751	85061751
50 mm	G $\frac{1}{4}$ B	Centre back	Stainless steel 304	1,6	0/2.5 bar	RF50Gly D751	85062751
50 mm	G $\frac{1}{4}$ B	Centre back	Stainless steel 304	1,6	0/4 bar	RF50Gly D751	85063751
50 mm	G $\frac{1}{4}$ B	Centre back	Stainless steel 304	1,6	0/6 bar	RF50Gly D751	85064751
50 mm	G $\frac{1}{4}$ B	Centre back	Stainless steel 304	1,6	0/10 bar	RF50Gly D751	85065751
50 mm	G $\frac{1}{4}$ B	Centre back	Stainless steel 304	1,6	0/16 bar	RF50Gly D751	85066751
50 mm	G $\frac{1}{4}$ B	Centre back	Stainless steel 304	1,6	0/25 bar	RF50Gly D751	85067751
50 mm	G $\frac{1}{4}$ B	Centre back	Stainless steel 304	1,6	0/40 bar	RF50Gly D751	85068751
50 mm	G $\frac{1}{4}$ B	Centre back	Stainless steel 304	1,6	0/60 bar	RF50Gly D751	85069751
50 mm	G $\frac{1}{4}$ B	Centre back	Stainless steel 304	1,6	0/100 bar	RF50Gly D751	85070751
50 mm	G $\frac{1}{4}$ B	Centre back	Stainless steel 304	1,6	0/160 bar	RF50Gly D751	85071751
50 mm	G $\frac{1}{4}$ B	Centre back	Stainless steel 304	1,6	0/250 bar	RF50Gly D751	85072751
50 mm	G $\frac{1}{4}$ B	Centre back	Stainless steel 304	1,6	0/400 bar	RF50Gly D751	85073751

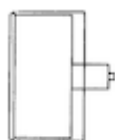


Blue part no. = in-stock items



RF63Gly D751

Housing \varnothing	Connection	Alignment	Housing	Accuracy class	Range	Type	Part no.
63 mm	G $\frac{1}{4}$ B	Centre back	Stainless steel 304	1,6	-1/0 bar	RF63Gly D751	85101751
63 mm	G $\frac{1}{4}$ B	Centre back	Stainless steel 304	1,6	-1/+0.6 bar	RF63Gly D751	85102751
63 mm	G $\frac{1}{4}$ B	Centre back	Stainless steel 304	1,6	-1/+1.5 bar	RF63Gly D751	85103751
63 mm	G $\frac{1}{4}$ B	Centre back	Stainless steel 304	1,6	-1/+3 bar	RF63Gly D751	85104751
63 mm	G $\frac{1}{4}$ B	Centre back	Stainless steel 304	1,6	-1/+5 bar	RF63Gly D751	85105751
63 mm	G $\frac{1}{4}$ B	Centre back	Stainless steel 304	1,6	-1/+9 bar	RF63Gly D751	85106751
63 mm	G $\frac{1}{4}$ B	Centre back	Stainless steel 304	1,6	-1/+15 bar	RF63Gly D751	85107751
63 mm	G $\frac{1}{4}$ B	Centre back	Stainless steel 304	1,6	0/0.6 bar	RF63Gly D751	85109751
63 mm	G $\frac{1}{4}$ B	Centre back	Stainless steel 304	1,6	0/1 bar	RF63Gly D751	85110751
63 mm	G $\frac{1}{4}$ B	Centre back	Stainless steel 304	1,6	0/1.6 bar	RF63Gly D751	85111751
63 mm	G $\frac{1}{4}$ B	Centre back	Stainless steel 304	1,6	0/2.5 bar	RF63Gly D751	85112751
63 mm	G $\frac{1}{4}$ B	Centre back	Stainless steel 304	1,6	0/4 bar	RF63Gly D751	85113751
63 mm	G $\frac{1}{4}$ B	Centre back	Stainless steel 304	1,6	0/6 bar	RF63Gly D751	85114751
63 mm	G $\frac{1}{4}$ B	Centre back	Stainless steel 304	1,6	0/10 bar	RF63Gly D751	85115751
63 mm	G $\frac{1}{4}$ B	Centre back	Stainless steel 304	1,6	0/16 bar	RF63Gly D751	85116751
63 mm	G $\frac{1}{4}$ B	Centre back	Stainless steel 304	1,6	0/25 bar	RF63Gly D751	85117751
63 mm	G $\frac{1}{4}$ B	Centre back	Stainless steel 304	1,6	0/40 bar	RF63Gly D751	85118751
63 mm	G $\frac{1}{4}$ B	Centre back	Stainless steel 304	1,6	0/60 bar	RF63Gly D751	85119751
63 mm	G $\frac{1}{4}$ B	Centre back	Stainless steel 304	1,6	0/100 bar	RF63Gly D751	85120751
63 mm	G $\frac{1}{4}$ B	Centre back	Stainless steel 304	1,6	0/160 bar	RF63Gly D751	85121751
63 mm	G $\frac{1}{4}$ B	Centre back	Stainless steel 304	1,6	0/250 bar	RF63Gly D751	85122751
63 mm	G $\frac{1}{4}$ B	Centre back	Stainless steel 304	1,6	0/315 bar	RF63Gly D751	86818751
63 mm	G $\frac{1}{4}$ B	Centre back	Stainless steel 304	1,6	0/400 bar	RF63Gly D751	85123751
63 mm	G $\frac{1}{4}$ B	Centre back	Stainless steel 304	1,6	0/600 bar	RF63Gly D751	85124751

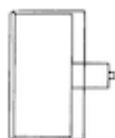


Blue part no. = in-stock items



RF80Gly D751

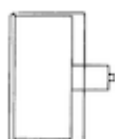
Housing \varnothing	Connection	Alignment	Housing	Accuracy class	Range	Type	Part no.
80 mm	G $\frac{1}{4}$ B	Centre back	Stainless steel 304	1,6	-1/0 bar	RF80Gly D751	85151751
80 mm	G $\frac{1}{4}$ B	Centre back	Stainless steel 304	1,6	-1/+0.6 bar	RF80Gly D751	85152751
80 mm	G $\frac{1}{4}$ B	Centre back	Stainless steel 304	1,6	-1/+1.5 bar	RF80Gly D751	85153751
80 mm	G $\frac{1}{4}$ B	Centre back	Stainless steel 304	1,6	-1/+3 bar	RF80Gly D751	85154751
80 mm	G $\frac{1}{4}$ B	Centre back	Stainless steel 304	1,6	-1/+5 bar	RF80Gly D751	85155751
80 mm	G $\frac{1}{4}$ B	Centre back	Stainless steel 304	1,6	-1/+9 bar	RF80Gly D751	85156751
80 mm	G $\frac{1}{4}$ B	Centre back	Stainless steel 304	1,6	-1/+15 bar	RF80Gly D751	85157751
80 mm	G $\frac{1}{4}$ B	Centre back	Stainless steel 304	1,6	0/1 bar	RF80Gly D751	85160751
80 mm	G $\frac{1}{4}$ B	Centre back	Stainless steel 304	1,6	0/1.6 bar	RF80Gly D751	85161751
80 mm	G $\frac{1}{4}$ B	Centre back	Stainless steel 304	1,6	0/2.5 bar	RF80Gly D751	85162751
80 mm	G $\frac{1}{4}$ B	Centre back	Stainless steel 304	1,6	0/4 bar	RF80Gly D751	85163751
80 mm	G $\frac{1}{4}$ B	Centre back	Stainless steel 304	1,6	0/6 bar	RF80Gly D751	85164751
80 mm	G $\frac{1}{4}$ B	Centre back	Stainless steel 304	1,6	0/10 bar	RF80Gly D751	85165751
80 mm	G $\frac{1}{4}$ B	Centre back	Stainless steel 304	1,6	0/16 bar	RF80Gly D751	85166751
80 mm	G $\frac{1}{4}$ B	Centre back	Stainless steel 304	1,6	0/25 bar	RF80Gly D751	85167751
80 mm	G $\frac{1}{4}$ B	Centre back	Stainless steel 304	1,6	0/40 bar	RF80Gly D751	85168751
80 mm	G $\frac{1}{4}$ B	Centre back	Stainless steel 304	1,6	0/60 bar	RF80Gly D751	85169751
80 mm	G $\frac{1}{4}$ B	Centre back	Stainless steel 304	1,6	0/100 bar	RF80Gly D751	85170751
80 mm	G $\frac{1}{4}$ B	Centre back	Stainless steel 304	1,6	0/160 bar	RF80Gly D751	85171751
80 mm	G $\frac{1}{4}$ B	Centre back	Stainless steel 304	1,6	0/250 bar	RF80Gly D751	85172751
80 mm	G $\frac{1}{4}$ B	Centre back	Stainless steel 304	1,6	0/400 bar	RF80Gly D751	85173751



Blue part no. = in-stock items

RF100Gly D751

Housing \varnothing	Connection	Alignment	Housing	Accuracy class	Range	Type	Part no.
100 mm	G $\frac{1}{2}$ B	Bottom back	Stainless steel 304	1,0	-1/0 bar	RF100Gly D751	85301751
100 mm	G $\frac{1}{2}$ B	Bottom back	Stainless steel 304	1,0	-1/+0.6 bar	RF100Gly D751	85302751
100 mm	G $\frac{1}{2}$ B	Bottom back	Stainless steel 304	1,0	-1/+1.5 bar	RF100Gly D751	85303751
100 mm	G $\frac{1}{2}$ B	Bottom back	Stainless steel 304	1,0	-1/+3 bar	RF100Gly D751	85304751



Blue part no. = in-stock items



Housing [®]	Connection	Alignment	Housing	Accuracy class	Range	Type	Part no.
100 mm	G½B	Bottom back	Stainless steel 304	1,0	-1/+5 bar	RF100Gly D751	85305751
100 mm	G½B	Bottom back	Stainless steel 304	1,0	-1/+9 bar	RF100Gly D751	85306751
100 mm	G½B	Bottom back	Stainless steel 304	1,0	-1/+15 bar	RF100Gly D751	85307751
100 mm	G½B	Bottom back	Stainless steel 304	1,0	0/0.6 bar	RF100Gly D751	85309751
100 mm	G½B	Bottom back	Stainless steel 304	1,0	0/1 bar	RF100Gly D751	85310751
100 mm	G½B	Bottom back	Stainless steel 304	1,0	0/1.6 bar	RF100Gly D751	85311751
100 mm	G½B	Bottom back	Stainless steel 304	1,0	0/2.5 bar	RF100Gly D751	85312751
100 mm	G½B	Bottom back	Stainless steel 304	1,0	0/4 bar	RF100Gly D751	85313751
100 mm	G½B	Bottom back	Stainless steel 304	1,0	0/6 bar	RF100Gly D751	85314751
100 mm	G½B	Bottom back	Stainless steel 304	1,0	0/10 bar	RF100Gly D751	85315751
100 mm	G½B	Bottom back	Stainless steel 304	1,0	0/16 bar	RF100Gly D751	85316751
100 mm	G½B	Bottom back	Stainless steel 304	1,0	0/25 bar	RF100Gly D751	85317751
100 mm	G½B	Bottom back	Stainless steel 304	1,0	0/40 bar	RF100Gly D751	85318751
100 mm	G½B	Bottom back	Stainless steel 304	1,0	0/60 bar	RF100Gly D751	85319751
100 mm	G½B	Bottom back	Stainless steel 304	1,0	0/100 bar	RF100Gly D751	85320751
100 mm	G½B	Bottom back	Stainless steel 304	1,0	0/160 bar	RF100Gly D751	85321751
100 mm	G½B	Bottom back	Stainless steel 304	1,0	0/250 bar	RF100Gly D751	85322751
100 mm	G½B	Bottom back	Stainless steel 304	1,0	0/400 bar	RF100Gly D751	85323751
100 mm	G½B	Bottom back	Stainless steel 304	1,0	0/600 bar	RF100Gly D751	85324751
100 mm	G½B	Bottom back	Stainless steel 304	1,0	0/1,000 bar	RF100Gly D751	85325751
100 mm	G½B	Centre back	Stainless steel 304	1,6	-1/0 bar	RF100Gly D751	85201751
100 mm	G½B	Centre back	Stainless steel 304	1,6	-1/+0.6 bar	RF100Gly D751	85202751
100 mm	G½B	Centre back	Stainless steel 304	1,6	-1/+1.5 bar	RF100Gly D751	85203751
100 mm	G½B	Centre back	Stainless steel 304	1,6	-1/+3 bar	RF100Gly D751	85204751
100 mm	G½B	Centre back	Stainless steel 304	1,6	-1/+5 bar	RF100Gly D751	85205751
100 mm	G½B	Centre back	Stainless steel 304	1,6	-1/+9 bar	RF100Gly D751	85206751
100 mm	G½B	Centre back	Stainless steel 304	1,6	-1/+15 bar	RF100Gly D751	85207751
100 mm	G½B	Centre back	Stainless steel 304	1,6	0/1 bar	RF100Gly D751	85210751

Blue part no. = in-stock items



Housing [⊗]	Connection	Alignment	Housing	Accuracy class	Range	Type	Part no.
100 mm	G½B	Centre back	Stainless steel 304	1,6	0/1.6 bar	RF100Gly D751	85211751
100 mm	G½B	Centre back	Stainless steel 304	1,6	0/2.5 bar	RF100Gly D751	85212751
100 mm	G½B	Centre back	Stainless steel 304	1,6	0/4 bar	RF100Gly D751	85213751
100 mm	G½B	Centre back	Stainless steel 304	1,6	0/6 bar	RF100Gly D751	85214751
100 mm	G½B	Centre back	Stainless steel 304	1,6	0/10 bar	RF100Gly D751	85215751
100 mm	G½B	Centre back	Stainless steel 304	1,6	0/16 bar	RF100Gly D751	85216751
100 mm	G½B	Centre back	Stainless steel 304	1,6	0/25 bar	RF100Gly D751	85217751
100 mm	G½B	Centre back	Stainless steel 304	1,6	0/40 bar	RF100Gly D751	85218751
100 mm	G½B	Centre back	Stainless steel 304	1,6	0/60 bar	RF100Gly D751	85219751
100 mm	G½B	Centre back	Stainless steel 304	1,6	0/100 bar	RF100Gly D751	85220751
100 mm	G½B	Centre back	Stainless steel 304	1,6	0/160 bar	RF100Gly D751	85221751
100 mm	G½B	Centre back	Stainless steel 304	1,6	0/250 bar	RF100Gly D751	85222751
100 mm	G½B	Centre back	Stainless steel 304	1,6	0/400 bar	RF100Gly D751	85223751

[Blue part no.](#) = in-stock items