

## Boiler water low level alarm WMS-WP6 - mechanical



### Benefits

- For protection of the boiler when the water level is too low
- TÜV-tested as a water level switch
- Direct mounting via welding socket or connection thread
- With test button for function test

### Application

For sealed heating systems to protect the boiler as per EN 12828 in the case of low water levels.

### Versions

	Part no.
Boiler water low level alarm WMS-WP6 with welding socket DN 20	42300
Boiler water low level alarm WMS-WP6 without locking, with welding socket DN 20	42305
Boiler water low level alarm WMS-WP6-R2 with connection thread R2 male	42319
Upper part WMS-WP6 with locking	42310
Upper part WMS-WP6 without locking	42311
Probe housing WMS-WP6 with welding socket DN 20	42368

Blue part no. = in-stock items

### Description

Mechanical boiler water low level alarm with float. Consisting of a cast brass body with welding sockets and a float mechanism, an electrical switch, test and unlock buttons. TÜV-tested as a water level limiter. If the water level in the boiler drops below a minimum level, a float activates a switch. The power supply to the boiler is interrupted. A locking mechanism keeps the burner from switching back on automatically. The test button allows the float to be lowered to simulate a low water alarm condition.

**Version WMS-WP6-R2** with male connection thread R2 for direct installation in the boiler.



## Technical specifications

### Operating temperature range

Medium: Max. 120 °C  
Ambient: Max. 70 °C

### Housing

Probe body: Cast brass  
Height  
WMS-WP6: 358 mm  
WMS-WP6-R2: 271 mm  
Degree of protection: IP 54 (EN 60529)

### Float

Plastic

### Connection

WMS-WP6: Welding socket DN20  
WMS-WP6-R2: Male thread R2

### Operating pressure

Max. 10 bar

### Test pressure

15 bar

### Contact rating

AC 250 V, 6 (2) A

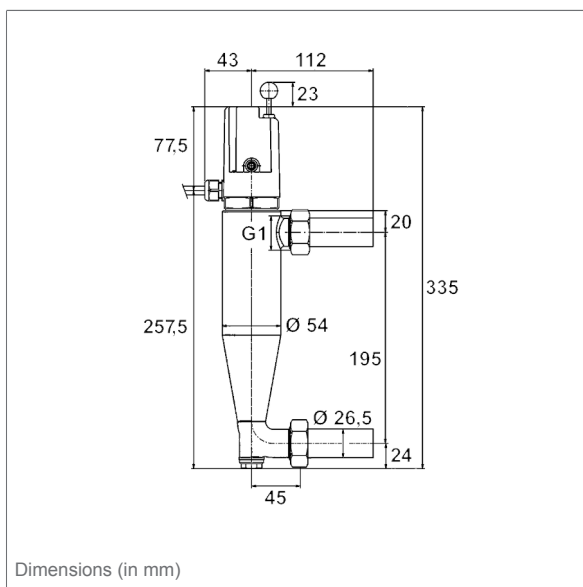
### Type approval mark

TÜV.WBH.yy-232

"yy" represents the year of the approval

## Technical drawings

WMS-WP6 DN 20



WMS-WP6-R2

