



Resistance thermometers WTh 26



Benefits

- Suitable for use in mechanical engineering, plant engineering, appliance engineering, process engineering and chemical industry
- Weld-in resistance thermometer with Pt100 sensor
- Wetted parts 316 Ti

Application

Weld-in resistance thermometer for high pressure and flow loads

Technical specifications

Sensor

1 x Pt100
3-wire
Class B, IEC 751

Measuring insert

Replaceable
Diameter: 6 mm

Thermowell

as per DIN 43772-4
Stainless steel 316 Ti

Neck

Ø 11 x 2 mm
Length: 140 mm
Stainless steel 316 Ti

Process connection

Weld-in thermowell according to DIN 43772
Stainless steel 316 Ti

Installation length

65, 100, 160, 250 mm

Connection head

Type B As per DIN 43729
Aluminium die cast

Electrical connection

Cable gland

Degree of protection

IP 54 (EN 60529)

Measuring range

-35/+550 °C

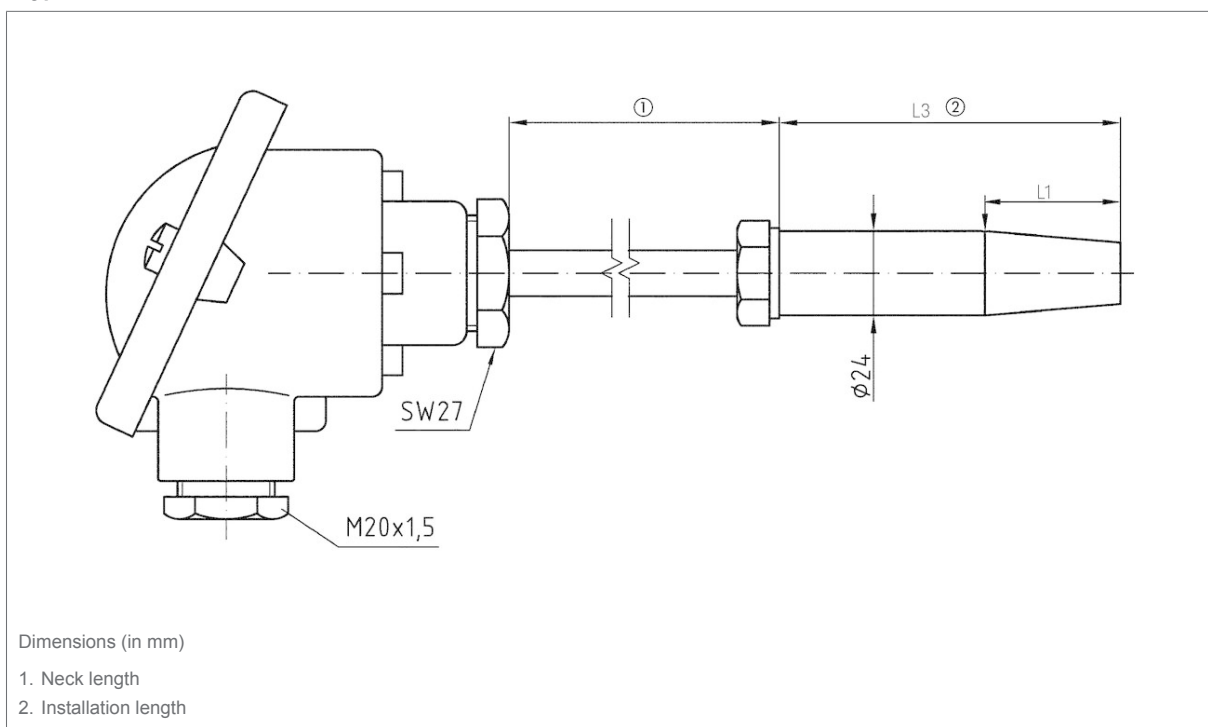
Options

- Sensor class A
- Without thermowell (thread M18 x 1.5 or M14 x 1.5)
- Transmitter installation
- Other thermowell materials
- Other process connections
- Other installation lengths
- Other connection heads



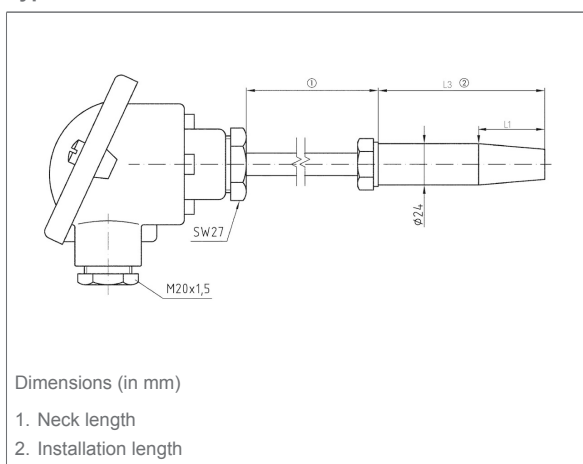
Detail views

Type WTh 26



Technical drawings

Type WTh 26





Versions

	Installation length	Part no.
 Resistance thermometers WTh 26	65 mm	32250
Resistance thermometers WTh 26	100 mm	32251
Resistance thermometers WTh 26	160 mm	32253
Resistance thermometers WTh 26	250 mm	32254

Blue part no. = in-stock items