

Thermometers THK With capillary tube



Benefits

- Ideal for boilers and water heaters
- Corrosion-resistant, highly impact-resistant plastic housing
- Many customised versions available

Application

Heating and plumbing, e.g. boilers, water heaters, hot water storage tanks

Technical specifications

Nominal size

37 – 40 – 52
45 x 45 – 58 x 25

Range

0/120 °C

Accuracy/test point

50 °C = ± 3 °C

Measuring principle

Liquid filling

Standard version

Connection

Probe: Ø 6 x 30 mm, Ø 6.5 x 30 mm, Copper
Capillary tube: Copper with PVC coating (R3, grey)

Dial

Plastic, white or black
Scaling black or white

Pointer

Plastic, black or white
Black or white

Housing

Plastic (ABS), grey, white or black

Options

- Dial with customer logo
- Various capillary lengths
- Special colours for housing, dial, pointer

Operating temperature range

Medium: Full scale value
Ambient: Max. 70 °C

Operating pressure

Without pressure

Degree of protection

IP 32 (EN 60529)

Window

Plastic, clipped in

Bezel

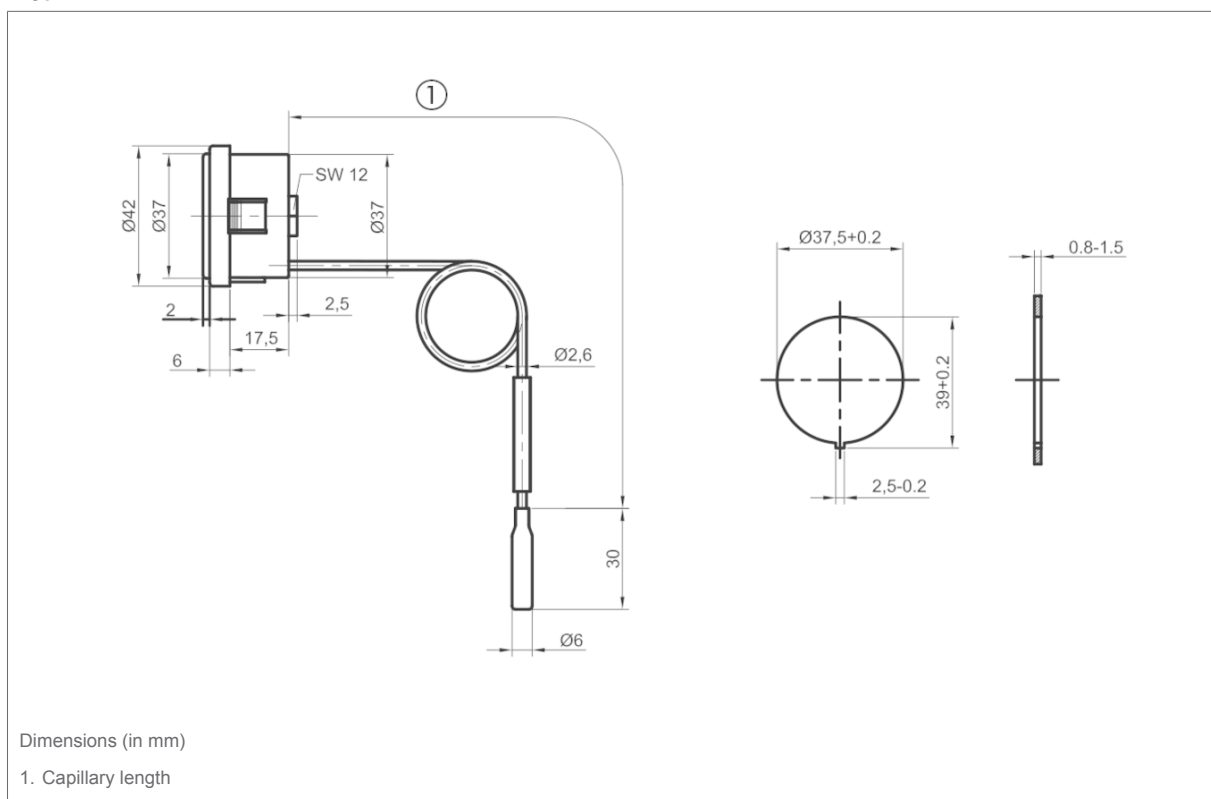
THK 52: Push on bezel
Plastic (ABS), black

Capillary length

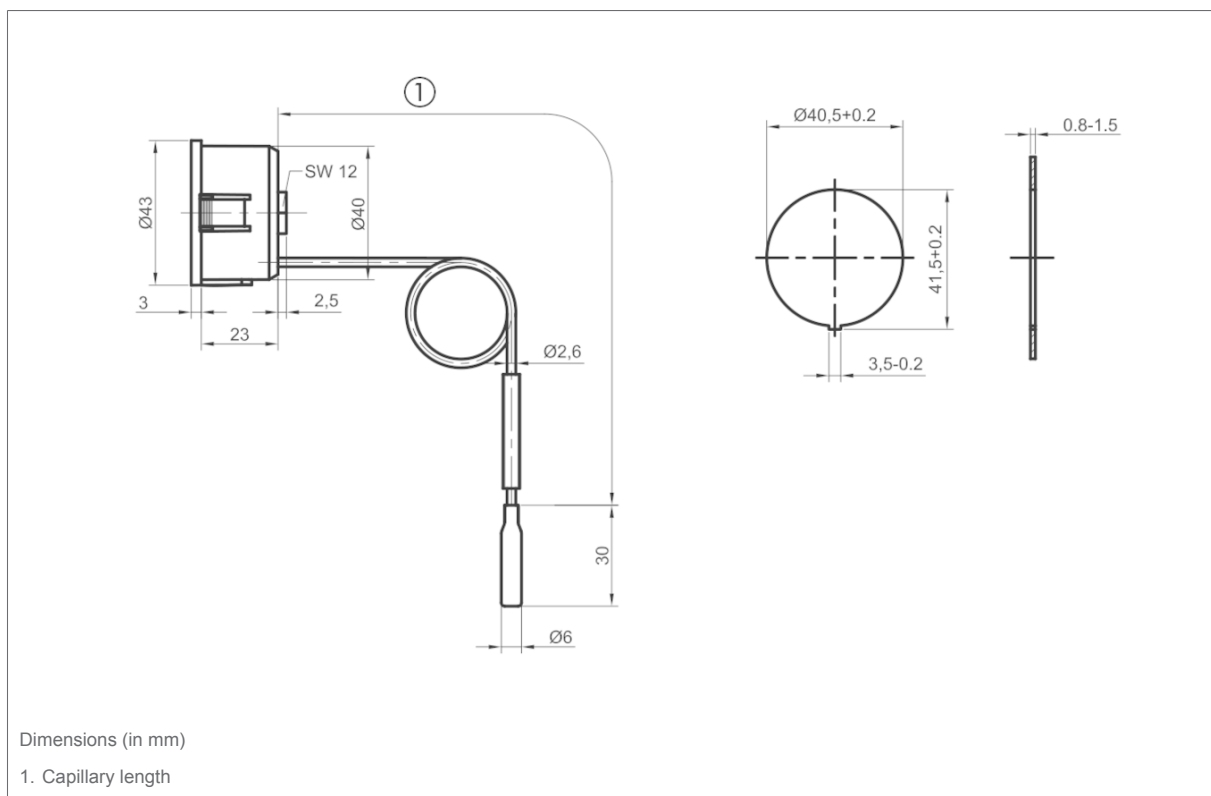
500, 1,000, 1,500, 2,000, 3,500 mm

Detail views

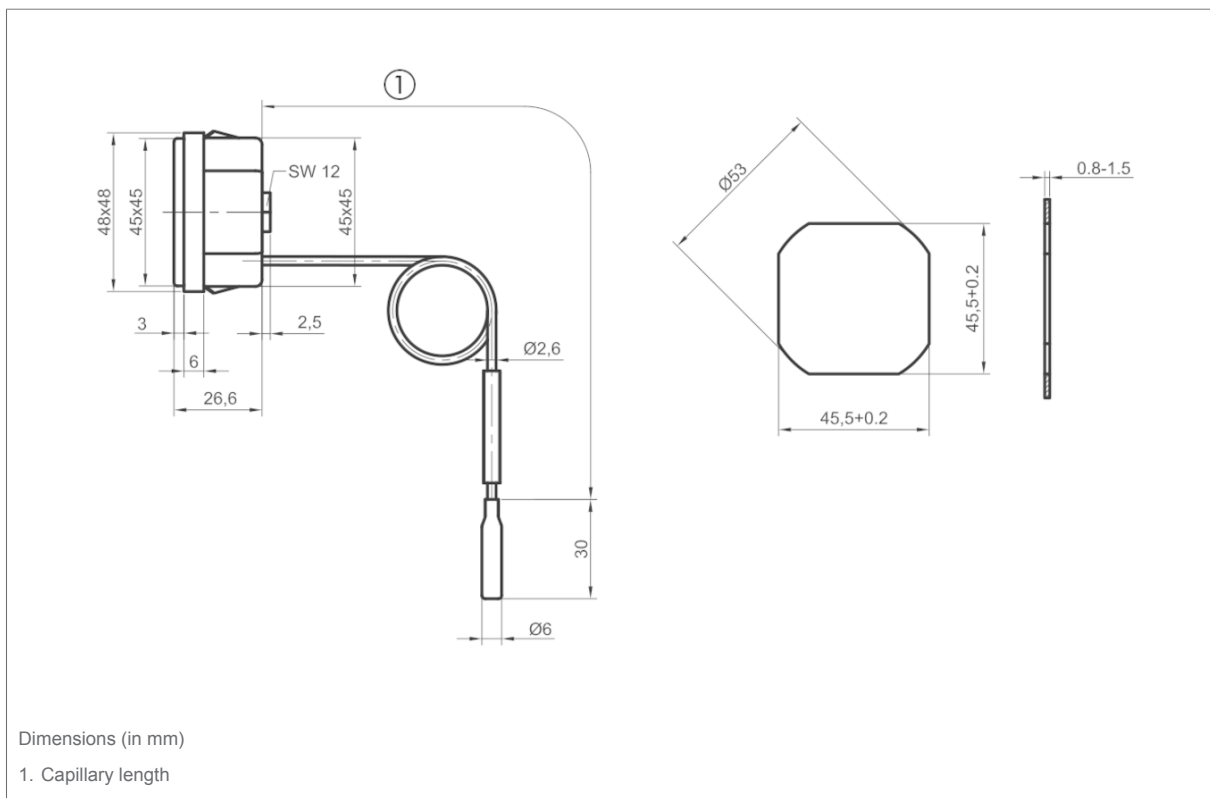
Type THK 37



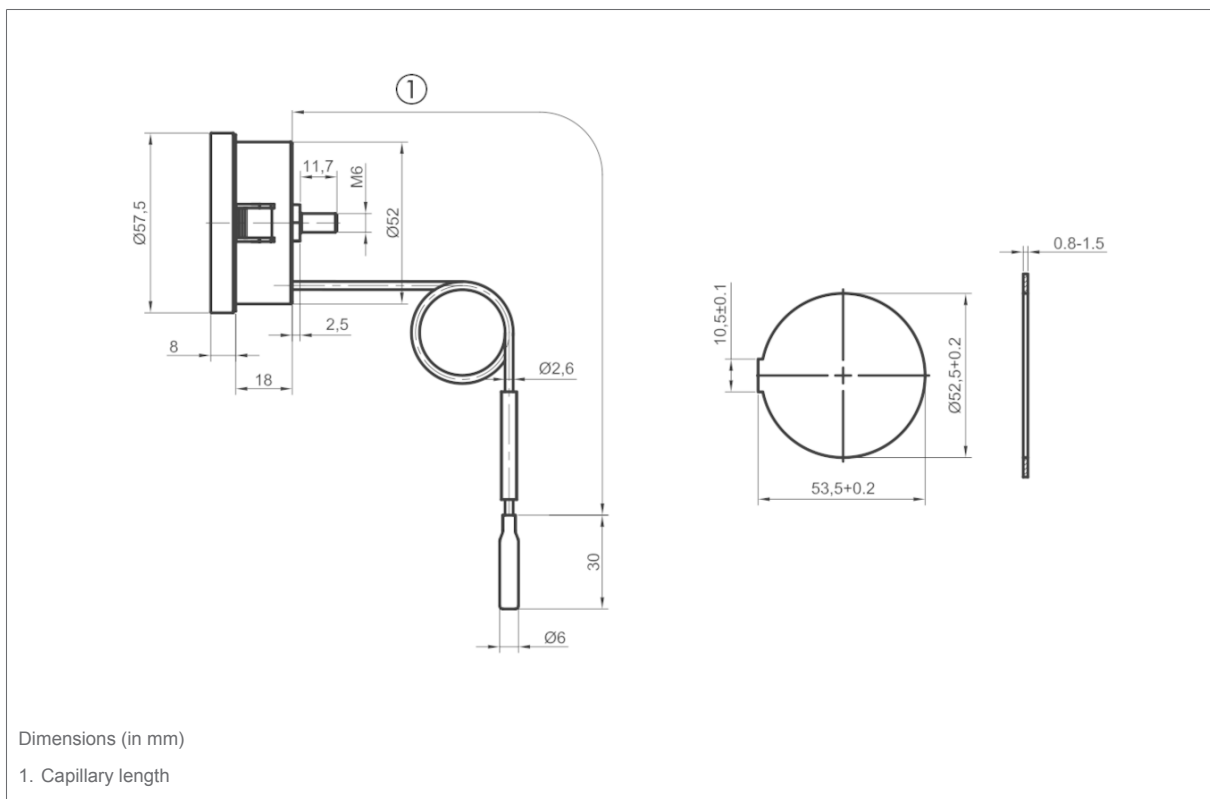
Type THK 40



Type THK 45

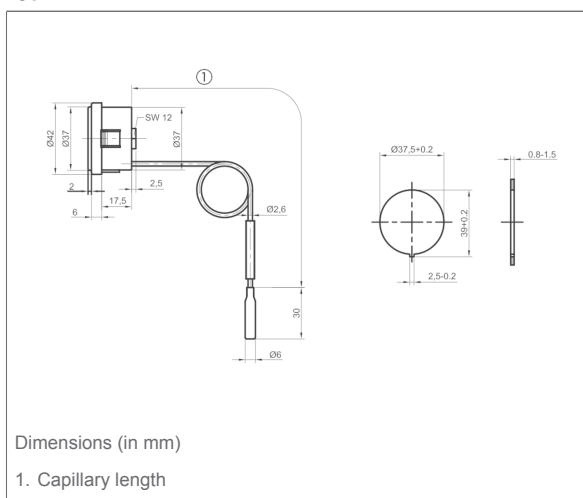


Type THK 52

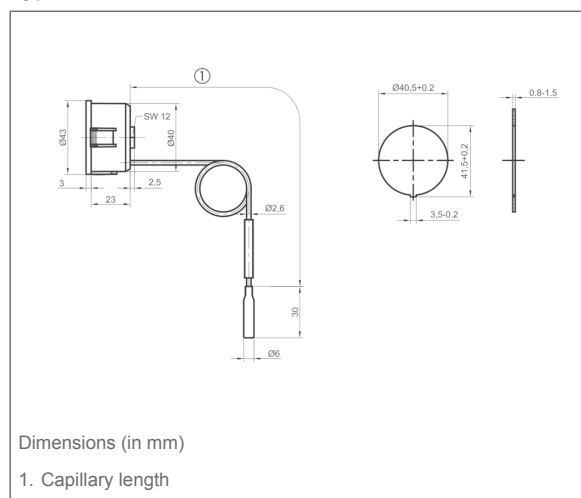


Technical drawings

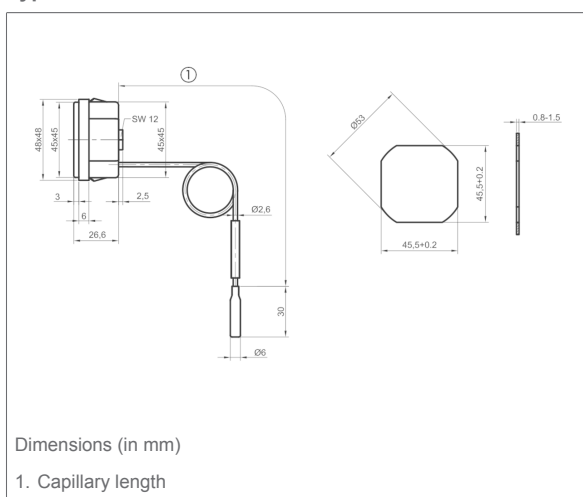
Type THK 37



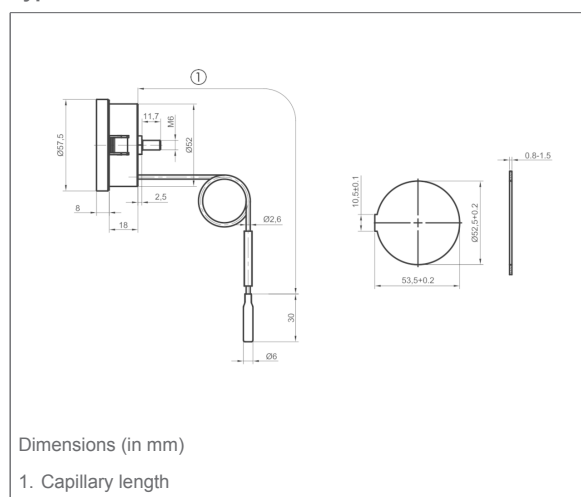
Type THK 40



Type THK 45



Type THK 52






Versions

Nominal size	Housing	Push on bezel	Pointer	Dial	Scale	Range	Capillary length	Type	Part no.
37 mm	Grey		Black	White	Black	0/120 °C	500 mm	THK 37	67512105
37 mm	Grey		Black	White	Black	0/120 °C	1,000 mm	THK 37	67512115
37 mm	Grey		Black	White	Black	0/120 °C	1,500 mm	THK 37	67512125
37 mm	Grey		Black	White	Black	0/120 °C	2,000 mm	THK 37	67512135
40 mm	White		Black	White	Black	0/120 °C	500 mm	THK 40	67652105
40 mm	White		Black	White	Black	0/120 °C	1,000 mm	THK 40	67652115



Blue part no. = in-stock items



	Nominal size	Housing	Push on bezel	Pointer	Dial	Scale	Range	Capillary length	Type	Part no.
	40 mm	White		Black	White	Black	0/120 °C	1,500 mm	THK 40	67652125
	40 mm	White		Black	White	Black	0/120 °C	2,000 mm	THK 40	67652135
	45 x 45 mm	Black		White	Black	White	0/120 °C	500 mm	THK 45	67522105
	45 x 45 mm	Black		White	Black	White	0/120 °C	1,000 mm	THK 45	67522115
	45 x 45 mm	Black		White	Black	White	0/120 °C	1,500 mm	THK 45	67522125
	45 x 45 mm	Black		White	Black	White	0/120 °C	2,000 mm	THK 45	67522135
	52 mm	Grey	Black	White	Black	White	0/120 °C	500 mm	THK 52	67502105
	52 mm	Grey	Black	White	Black	White	0/120 °C	1,000 mm	THK 52	67502115
	52 mm	Grey	Black	White	Black	White	0/120 °C	1,500 mm	THK 52	67502125
	52 mm	Grey	Black	White	Black	White	0/120 °C	2,000 mm	THK 52	67502135
	58 x 25 mm	Black		–	Black	White	0/120 °C	1,000 mm	THK 150/58 S	67542115
	58 x 25 mm	Black		–	Black	White	0/120 °C	1,500 mm	THK 150/58 S	67542125
	58 x 25 mm	Black		–	Black	White	0/120 °C	2,000 mm	THK 150/58 S	67542135
	58 x 25 mm	Black		–	Black	White	0/120 °C	3,500 mm	THK 150/58 S	67542155

Blue part no. = in-stock items