

Surface mount thermometers ATH



Benefits

- Ranges: -20/+40, 0/60, 0/120 °C
- Connection either with heat-conducting element and fastening spring, universal clamp for pipes 3/8" to 1½" or two magnets Ø 20 mm

Application

Heating, ventilation and plumbing. Fastening by means of spring (ATH Ø F), magnet (ATH Ø M) or universal clamp (ATH Ø S)

Technical specifications

Nominal size

63 – 80

Measuring element

Bimetal spiral

Accuracy class

2 (EN 13190)

Standard version

Connection

ATH ø S: Universal clamp, for pipes 3/8" to 1½"

ATH ø F: Heat-conducting element with fastening spring, for pipes 3/8" to 1½"

ATH ø M: 2 x magnet ø 20 mm

Mounting position

Centre back

Dial

Plastic, white

Scaling black

Pointer

Plastic, black

Options

- Other ranges
- Plastic housing

Ranges °C

-20/+40, 0/60, 0/120

Application area

Full scale value

Housing

ATH ø S: Sheet steel, galvanised

ATH ø F: Sheet steel, galvanised

ATH ø M: Plastic, black

Push on bezel

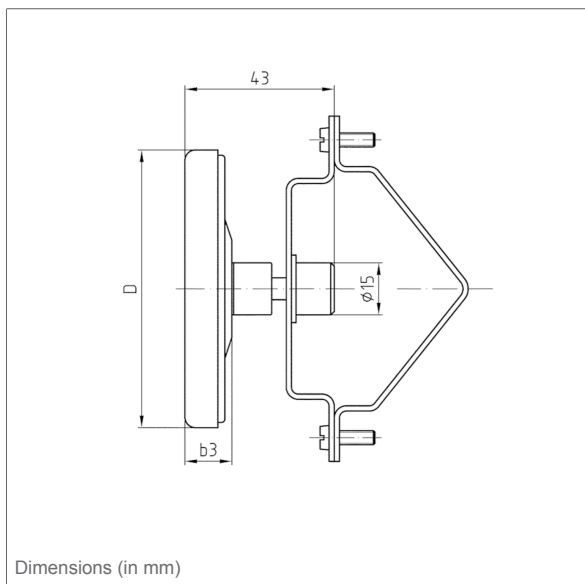
Sheet steel, nickel-plated

Window

Plastic

Technical drawings

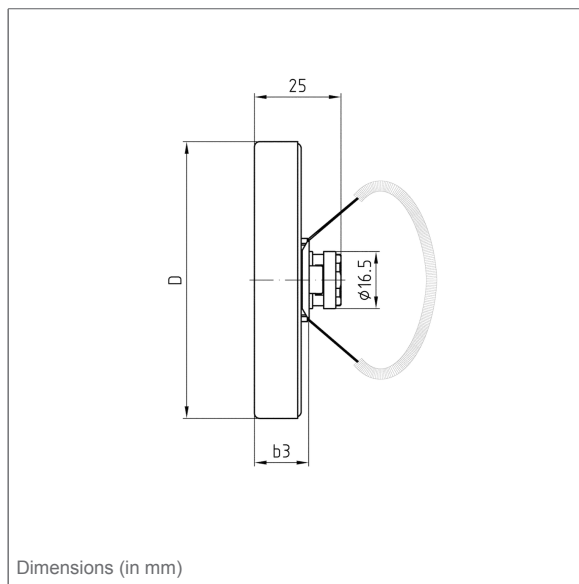
Centre back connection, with universal clamp for pipes
 3/4" to 1 1/2"



Dimensions (mm)

NG	D	b3
63	63	15

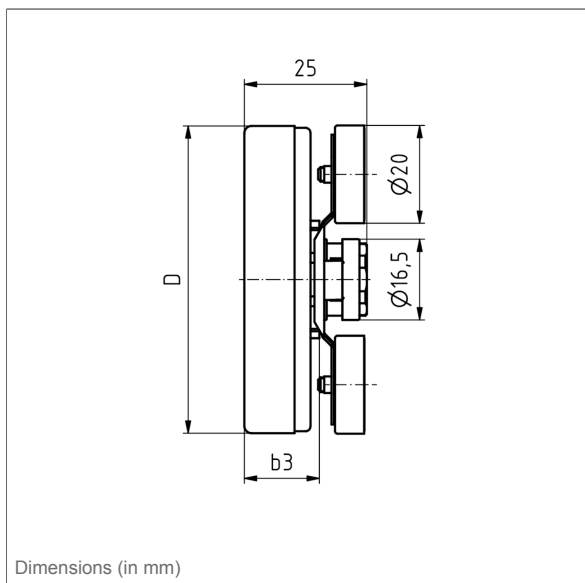
centre back connection, with fastening springs



Dimensions (mm)

NG	D	b3
63	63	15
80	80	15

centre back connection, with magnets


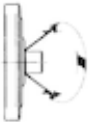



Dimensions (mm)

NG	D	b3
63	63	15
80	80	15



Versions

	Housing \varnothing	Connection	Range	Dial	Type	Part no.
	63 mm	Universal clamp for pipes $\frac{3}{8}$ " to $1\frac{1}{2}$ "	0/120 °C	Black	ATH 63 S	63820
	63 mm	Heat-conducting element with fastening spring for pipes $\frac{3}{8}$ " to $1\frac{1}{2}$ "	0/60 °C	Black	ATH 63 F	63826
	63 mm	Heat-conducting element with fastening spring for pipes $\frac{3}{8}$ " to $1\frac{1}{2}$ "	0/120 °C	Black	ATH 63 F	63822
	63 mm	Heat-conducting element with fastening spring for pipes $\frac{3}{8}$ " to $1\frac{1}{2}$ "	-20/+40 °C	Black	ATH 63 F	64339
	80 mm	Heat-conducting element with fastening spring for pipes $\frac{3}{8}$ " to $1\frac{1}{2}$ "	0/60 °C	Black	ATH 80 F	63943
	80 mm	Heat-conducting element with fastening spring for pipes $\frac{3}{8}$ " to $1\frac{1}{2}$ "	0/120 °C	Black	ATH 80 F	63821
	63 mm	2 x magnet \varnothing 20 mm	0/60 °C	Black	ATH 63 M	63650
	63 mm	2 x magnet \varnothing 20 mm	0/120 °C	Black	ATH 63 M	63651
	80 mm	2 x magnet \varnothing 20 mm	0/60 °C	Black	ATH 80 M	63652
	80 mm	2 x magnet \varnothing 20 mm	0/120 °C	Black	ATH 80 M	63653

Blue part no. = in-stock items