



Diaphragm seal MD 30 standard version with threaded connection



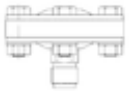
Benefits

- Can be disassembled and cleaned
- Applications up to 250 bar
- Welded diaphragm
- Many process connections available

Application

For mounting to Bourdon tube pressure gauges, pressure transducers or pressure switches. For corrosive, viscous, polluted or hot media.

Versions

	Process connection	Instrument connection	Nominal pressure	Minimum range* (in bar) at nominal size				Part no.
				63	100	160	DMU	
	G½B	Welded connection	PN 25	0.6 bar	0.6 bar	0.6 bar	0.6 bar	31417W
	G½B	Welded connection	PN 100	0.6 bar	0.6 bar	0.6 bar	0.6 bar	31331W
	G½B	Welded connection	PN 250	0.6 bar	0.6 bar	0.6 bar	0.6 bar	31332W

Blue part no. = in-stock items



Technical specifications

Process connection/lower body

Stainless steel 316 L
G $\frac{1}{2}$ B

Diaphragm

Stainless steel 316 L

Seal

FKM (Viton)

Instrument connection

Stainless steel 316 L
Welded connection

Retaining flanges

Stainless steel 316 L

Spacer ring

PN 100: Stainless steel 316 L

Screws and nuts

Stainless steel 304

Pressure transmission liquid

Paraffin oil (FM 09), FDA-listed

Pressure range

See overview of versions

Nominal pressure

PN 25, PN 100, PN 250

Options

Process connection/lower body

- Special materials/coatings
- Other connection threads

Diaphragm

- Special materials/coatings

Seal

- Other materials

Instrument connection/upper body

- Adapter for instrument connection G $\frac{1}{4}$ B/G $\frac{1}{2}$ B
- Cooling element (> 100 °C)
- Capillary tube

Screws/nuts/spacer ring

- Other materials

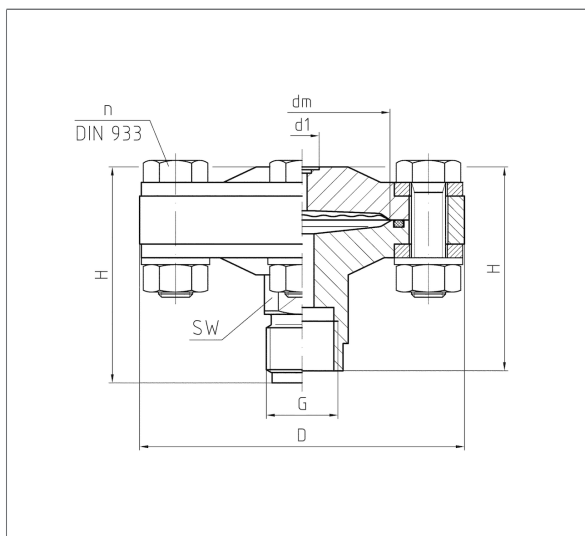
Other

- Other filling liquids



Technical drawings

Type MD 30



G	d1	PN	dm	D	H	n	SW
G½	10	25	36	95	60	4xM10	22
G½B	10	25	36	95	63	4xM10	22
½-14NPT	10	25	36	95	63	4xM10	22
G½	10	100	36	95	60	4xM10	22
G½B	10	100	36	95	63	4xM10	22
½-14NPT	10	100	36	95	63	4xM10	22
G½	10	250	56	95	56	8xM10	22
G½B	10	250	56	95	79	8xM10	22
½-14NPT	10	250	56	95	76	8xM10	22