



## Bimetal thermometer BiTh Ch



### Benefits

- Ideal for hygienic processes
- Accuracy class 1 as per EN 13190
- For temperatures of the medium of up to 160 °C
- Process connection centre back or bottom or threads various thermowells

### Application

For corrosive media. Meets high measuring demands, e.g. in process engineering as well as chemical and food industry applications.

### Technical specifications

#### Type

D4

#### Nominal size

63 – 100 – 160

#### Measuring element

Bimetal helix

#### Accuracy class

1 (EN 13190)

#### Ranges °C

-20/+60, 0/60, 0/120, 0/160

#### Application area

Continuous load: Full scale value

Short-term: 1.1 x full scale value

#### Operating pressure at stem

Max. 6 bar

#### Degree of protection

IP 65 (EN 60529)

### Standard version

#### Connection

Stem: Stainless steel 316 Ti, Ø 8 mm, plain

#### Mounting position

Bottom or centre back

#### Dial

Aluminium, white

Scaling black

#### Pointer

Aluminium, black

#### Housing

Stainless steel 304

#### Bayonet type bezel

Stainless steel 304

#### Window

Instrument glass

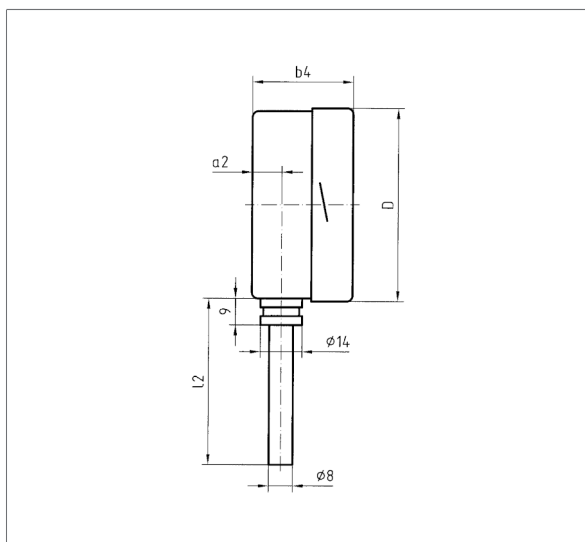


## Options

- Thermowell G½B, stainless steel 316 Ti/316 L
- Grooved nut connection as per DIN 11851
- Other connection designs
- Other ranges
- Other stem lengths
- Laminated safety glass window
- Glycerine filling
- Every angle version
- Back flange
- 3-hole fixing, panel mounting bezel
- Special materials

## Technical drawings

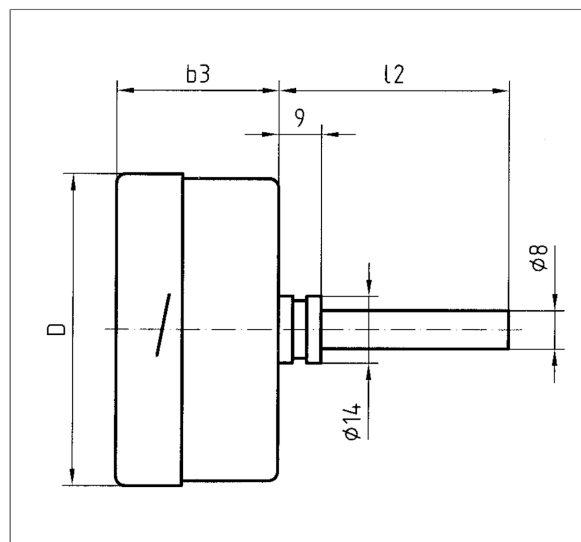
bottom connection, plain



Dimensions (mm)

NG	a2	b4	D	l2
63	15,5	45	63	67
63	15,5	45	63	104
63	15,5	45	63	154
63	15,5	45	63	204
100	17,5	49,5	100	67
100	17,5	49,5	100	104
100	17,5	49,5	100	154
100	17,5	49,5	100	204
160	15,5	48	160	67
160	15,5	48	160	104
160	15,5	48	160	154
160	15,5	48	160	204

centre back connection, plain



Dimensions (mm)

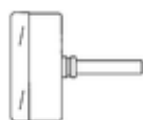
NG	b3	D	l2
63	32	63	67
63	32	63	67
63	32	63	67
63	32	63	67
100	27,5	100	104
100	27,5	100	104
100	27,5	100	104
100	27,5	100	104
100	27,5	100	104
160	34	160	154
160	34	160	154
160	34	160	154
160	34	160	154



## Versions

### BiTh 63 Ch

Housing $\varnothing$	Mounting position	Range	For thermowell with length L1	Type	Part no.
63 mm	Bottom	-20/+60 °C	63 mm	BiTh 63 Ch D402	66607402
63 mm	Bottom	-20/+60 °C	100 mm	BiTh 63 Ch D402	66608402
63 mm	Bottom	-20/+60 °C	150 mm	BiTh 63 Ch D402	66609402
63 mm	Bottom	-20/+60 °C	200 mm	BiTh 63 Ch D402	66610402
63 mm	Bottom	0/60 °C	63 mm	BiTh 63 Ch D402	66632402
63 mm	Bottom	0/60 °C	100 mm	BiTh 63 Ch D402	66633402
63 mm	Bottom	0/60 °C	150 mm	BiTh 63 Ch D402	66634402
63 mm	Bottom	0/60 °C	200 mm	BiTh 63 Ch D402	66635402
63 mm	Bottom	0/120 °C	63 mm	BiTh 63 Ch D402	66647402
63 mm	Bottom	0/120 °C	100 mm	BiTh 63 Ch D402	66648402
63 mm	Bottom	0/120 °C	150 mm	BiTh 63 Ch D402	66649402
63 mm	Bottom	0/120 °C	200 mm	BiTh 63 Ch D402	66650402
63 mm	Bottom	0/160 °C	63 mm	BiTh 63 Ch D402	66652402
63 mm	Bottom	0/160 °C	100 mm	BiTh 63 Ch D402	66653402
63 mm	Bottom	0/160 °C	150 mm	BiTh 63 Ch D402	66654402
63 mm	Bottom	0/160 °C	200 mm	BiTh 63 Ch D402	66655402
63 mm	Centre back	-20/+60 °C	63 mm	BiTh 63 Ch D412	66607412
63 mm	Centre back	-20/+60 °C	100 mm	BiTh 63 Ch D412	<a href="#">66608412</a>
63 mm	Centre back	-20/+60 °C	150 mm	BiTh 63 Ch D412	66609412
63 mm	Centre back	-20/+60 °C	200 mm	BiTh 63 Ch D412	66610412
63 mm	Centre back	0/60 °C	63 mm	BiTh 63 Ch D412	66632412
63 mm	Centre back	0/60 °C	100 mm	BiTh 63 Ch D412	66633412
63 mm	Centre back	0/60 °C	150 mm	BiTh 63 Ch D412	66634412
63 mm	Centre back	0/60 °C	200 mm	BiTh 63 Ch D412	66635412
63 mm	Centre back	0/120 °C	63 mm	BiTh 63 Ch D412	66647412
63 mm	Centre back	0/120 °C	100 mm	BiTh 63 Ch D412	66648412



Blue part no. = in-stock items



Housing $\varnothing$	Mounting position	Range	For thermowell with length L1	Type	Part no.
63 mm	Centre back	0/120 °C	150 mm	BiTh 63 Ch D412	66649412
63 mm	Centre back	0/120 °C	200 mm	BiTh 63 Ch D412	66650412
63 mm	Centre back	0/160 °C	63 mm	BiTh 63 Ch D412	66652412
63 mm	Centre back	0/160 °C	100 mm	BiTh 63 Ch D412	66653412
63 mm	Centre back	0/160 °C	150 mm	BiTh 63 Ch D412	66654412
63 mm	Centre back	0/160 °C	200 mm	BiTh 63 Ch D412	66655412

Blue part no. = in-stock items

### BiTh 100 Ch

Housing $\varnothing$	Mounting position	Range	For thermowell with length L1	Type	Part no.
100 mm	Bottom	-20/+60 °C	63 mm	BiTh 100 Ch D402	66807402
100 mm	Bottom	-20/+60 °C	100 mm	BiTh 100 Ch D402	66808402
100 mm	Bottom	-20/+60 °C	150 mm	BiTh 100 Ch D402	66809402
100 mm	Bottom	-20/+60 °C	200 mm	BiTh 100 Ch D402	66810402
100 mm	Bottom	0/60 °C	63 mm	BiTh 100 Ch D402	66832402
100 mm	Bottom	0/60 °C	100 mm	BiTh 100 Ch D402	66833402
100 mm	Bottom	0/60 °C	150 mm	BiTh 100 Ch D402	66834402
100 mm	Bottom	0/60 °C	200 mm	BiTh 100 Ch D402	66835402
100 mm	Bottom	0/120 °C	63 mm	BiTh 100 Ch D402	66847402
100 mm	Bottom	0/120 °C	100 mm	BiTh 100 Ch D402	66848402
100 mm	Bottom	0/120 °C	150 mm	BiTh 100 Ch D402	66849402
100 mm	Bottom	0/120 °C	200 mm	BiTh 100 Ch D402	66850402
100 mm	Bottom	0/160 °C	63 mm	BiTh 100 Ch D402	66852402
100 mm	Bottom	0/160 °C	100 mm	BiTh 100 Ch D402	66853402
100 mm	Bottom	0/160 °C	150 mm	BiTh 100 Ch D402	66854402
100 mm	Bottom	0/160 °C	200 mm	BiTh 100 Ch D402	66855402
100 mm	Centre back	-20/+60 °C	63 mm	BiTh 100 Ch D412	66807412
100 mm	Centre back	-20/+60 °C	100 mm	BiTh 100 Ch D412	66808412
100 mm	Centre back	-20/+60 °C	150 mm	BiTh 100 Ch D412	66809412
100 mm	Centre back	-20/+60 °C	200 mm	BiTh 100 Ch D412	66810412

Blue part no. = in-stock items





Housing $\varnothing$	Mounting position	Range	For thermowell with length L1	Type	Part no.
100 mm	Centre back	0/60 °C	63 mm	BiTh 100 Ch D412	66832412
100 mm	Centre back	0/60 °C	100 mm	BiTh 100 Ch D412	66833412
100 mm	Centre back	0/60 °C	150 mm	BiTh 100 Ch D412	66834412
100 mm	Centre back	0/60 °C	200 mm	BiTh 100 Ch D412	66835412
100 mm	Centre back	0/120 °C	63 mm	BiTh 100 Ch D412	66847412
100 mm	Centre back	0/120 °C	100 mm	BiTh 100 Ch D412	66848412
100 mm	Centre back	0/120 °C	150 mm	BiTh 100 Ch D412	66849412
100 mm	Centre back	0/120 °C	200 mm	BiTh 100 Ch D412	66850412
100 mm	Centre back	0/160 °C	63 mm	BiTh 100 Ch D412	66852412
100 mm	Centre back	0/160 °C	100 mm	BiTh 100 Ch D412	66853412
100 mm	Centre back	0/160 °C	150 mm	BiTh 100 Ch D412	66854412
100 mm	Centre back	0/160 °C	200 mm	BiTh 100 Ch D412	66855412

Blue part no. = in-stock items

#### BiTh 160 Ch

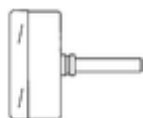
Housing $\varnothing$	Mounting position	Range	For thermowell with length L1	Type	Part no.
160 mm	Bottom	-20/+60 °C	63 mm	BiTh 160 Ch D402	66907402
160 mm	Bottom	-20/+60 °C	100 mm	BiTh 160 Ch D402	66908402
160 mm	Bottom	-20/+60 °C	150 mm	BiTh 160 Ch D402	66909402
160 mm	Bottom	-20/+60 °C	200 mm	BiTh 160 Ch D402	66910402
160 mm	Bottom	0/60 °C	63 mm	BiTh 160 Ch D402	66932402
160 mm	Bottom	0/60 °C	100 mm	BiTh 160 Ch D402	66933402
160 mm	Bottom	0/60 °C	150 mm	BiTh 160 Ch D402	66934402
160 mm	Bottom	0/60 °C	200 mm	BiTh 160 Ch D402	66935402
160 mm	Bottom	0/120 °C	63 mm	BiTh 160 Ch D402	66947402
160 mm	Bottom	0/120 °C	100 mm	BiTh 160 Ch D402	66948402
160 mm	Bottom	0/120 °C	150 mm	BiTh 160 Ch D402	66949402
160 mm	Bottom	0/120 °C	200 mm	BiTh 160 Ch D402	66950402
160 mm	Bottom	0/160 °C	63 mm	BiTh 160 Ch D402	66952402
160 mm	Bottom	0/160 °C	100 mm	BiTh 160 Ch D402	66953402

Blue part no. = in-stock items





Housing <sup>ø</sup>	Mounting position	Range	For thermowell with length L1	Type	Part no.
160 mm	Bottom	0/160 °C	150 mm	BiTh 160 Ch D402	66954402
160 mm	Bottom	0/160 °C	200 mm	BiTh 160 Ch D402	66955402
160 mm	Centre back	-20/+60 °C	63 mm	BiTh 160 Ch D412	66907412
160 mm	Centre back	-20/+60 °C	100 mm	BiTh 160 Ch D412	66908412
160 mm	Centre back	-20/+60 °C	150 mm	BiTh 160 Ch D412	66909412
160 mm	Centre back	-20/+60 °C	200 mm	BiTh 160 Ch D412	66910412
160 mm	Centre back	0/60 °C	63 mm	BiTh 160 Ch D412	66932412
160 mm	Centre back	0/60 °C	100 mm	BiTh 160 Ch D412	66933412
160 mm	Centre back	0/60 °C	150 mm	BiTh 160 Ch D412	66934412
160 mm	Centre back	0/60 °C	200 mm	BiTh 160 Ch D412	66935412
160 mm	Centre back	0/120 °C	63 mm	BiTh 160 Ch D412	66947412
160 mm	Centre back	0/120 °C	100 mm	BiTh 160 Ch D412	66948412
160 mm	Centre back	0/120 °C	150 mm	BiTh 160 Ch D412	66949412
160 mm	Centre back	0/120 °C	200 mm	BiTh 160 Ch D412	66950412
160 mm	Centre back	0/160 °C	63 mm	BiTh 160 Ch D412	66952412
160 mm	Centre back	0/160 °C	100 mm	BiTh 160 Ch D412	66953412
160 mm	Centre back	0/160 °C	150 mm	BiTh 160 Ch D412	66954412
160 mm	Centre back	0/160 °C	200 mm	BiTh 160 Ch D412	66955412



Blue part no. = in-stock items