



## Standard Bourdon tube pressure gauges for gas applications Type D3



### Benefits

- Version safety pressure gauge S2 as per EN 837-1
- Dual scale for measurement of different media (option)
- Rear blow-out
- Many customised versions available

### Application

For gaseous and liquid media which are not highly viscous and do not crystallise. Specially designed for gas technology devices, fittings and installations.

! For measuring gas or vapour, these gauges must be used in accordance with the table "Selection Criteria as per EN 837-2" (see appendix)!

### Technical specifications

#### Type

D3

#### Nominal size

40 – 50 – 63

#### Version

EN 837-1-S2

#### Accuracy class (EN 837-1/6)

1,6

#### Ranges (EN 837-1/5)

See ordering table

#### Application area

Static load:  $\frac{3}{4}$  x full scale value

Dynamic load:  $\frac{3}{4}$  x full scale value

Short-term: Full scale value

#### Operating temperature range

Medium: Max. 60 °C

Ambient: -20/+60 °C

#### Temperature performance

Indication error when the temperature of the measuring system deviates from the normal temperature of 20 °C:

at rising temperature approx.  $\pm 0.4$  %/10 K

falling temperature approx.  $\pm 0.4$  %/10 K

of full scale value

#### Degree of protection

IP 32 (EN 60529)



## Standard version

### Connection

D301:	Brass
D302:	Stainless steel 316 Ti/316 L
D311:	Brass
Bottom or centre back	

### Measuring element

Bourdon tube	
D301:	Copper alloy
D302:	Stainless steel 316 Ti/316 L
D311:	Copper alloy
≤ 40 bar:	"C" type tube
> 40 bar:	Helical tube

### Movement

Brass

### Dial

Aluminium, white  
Scaling black

### Pointer

Aluminium, black

### Housing

Stainless steel 304, with rear blow-out

### Window

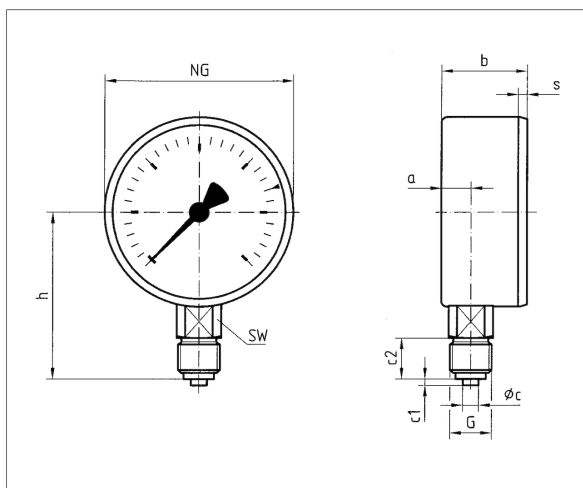
Plastic, snapped in

## Options

- Wetted parts stainless steel
- Wetted parts oil-free and grease-free
- Helium leak test
- Damping screw
- Special scales
- Other connection threads

## Technical drawings

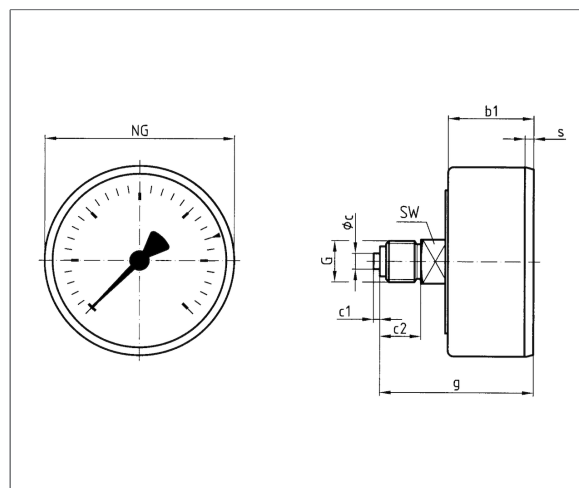
### Bottom connection



### Dimensions (mm)

NG	a	b	øc	c1	c2	G	h	s	SW
40	8,2	23,5	4	2	10	G <sup>1</sup> / <sub>8</sub> B	36	3	12
50	10,5	29	5	2	13	G <sup>1</sup> / <sub>4</sub> B	46	3,8	14
63	11	29,5	5	2	13	G <sup>1</sup> / <sub>4</sub> B	53	3,7	14

### Centre back connection



### Dimensions (mm)

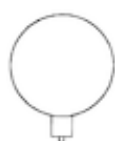
NG	b1	øc	c1	c2	G	g	s	SW
50	26	5	2	13	G <sup>1</sup> / <sub>4</sub> B	47	3,8	14
63	29,5	5	2	13	G <sup>1</sup> / <sub>4</sub> B	50,5	3,7	14



## Versions

### RF40GT D301

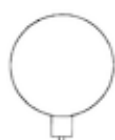
Housing $\varnothing$	Connection	Alignment	Housing	Accuracy class	Range	Type	Part no.
40 mm	G $\frac{1}{4}$ B	Bottom	Stainless steel 304	1,6	0/4 bar	RF40GT D301	85013301GT
40 mm	G $\frac{1}{4}$ B	Bottom	Stainless steel 304	1,6	0/6 bar	RF40GT D301	85014301GT
40 mm	G $\frac{1}{4}$ B	Bottom	Stainless steel 304	1,6	0/10 bar	RF40GT D301	85015301GT
40 mm	G $\frac{1}{4}$ B	Bottom	Stainless steel 304	1,6	0/16 bar	RF40GT D301	85016301GT
40 mm	G $\frac{1}{4}$ B	Bottom	Stainless steel 304	1,6	0/25 bar	RF40GT D301	85017301GT
40 mm	G $\frac{1}{4}$ B	Bottom	Stainless steel 304	1,6	0/40 bar	RF40GT D301	85018301GT
40 mm	G $\frac{1}{4}$ B	Bottom	Stainless steel 304	1,6	0/60 bar	RF40GT D301	85019301GT
40 mm	G $\frac{1}{4}$ B	Bottom	Stainless steel 304	1,6	0/100 bar	RF40GT D301	85020301GT
40 mm	G $\frac{1}{4}$ B	Bottom	Stainless steel 304	1,6	0/160 bar	RF40GT D301	85021301GT
40 mm	G $\frac{1}{4}$ B	Bottom	Stainless steel 304	1,6	0/250 bar	RF40GT D301	85022301GT
40 mm	G $\frac{1}{4}$ B	Bottom	Stainless steel 304	1,6	0/315 bar	RF40GT D301	85023301GT
40 mm	G $\frac{1}{4}$ B	Bottom	Stainless steel 304	1,6	0/400 bar	RF40GT D301	85024301GT



Blue part no. = in-stock items

### RF50GT D301

Housing $\varnothing$	Connection	Alignment	Housing	Accuracy class	Range	Type	Part no.
50 mm	G $\frac{1}{4}$ B	Bottom	Stainless steel 304	1,6	-1/0 bar	RF50GT D301	85051301GT
50 mm	G $\frac{1}{4}$ B	Bottom	Stainless steel 304	1,6	-1/+0.6 bar	RF50GT D301	85052301GT
50 mm	G $\frac{1}{4}$ B	Bottom	Stainless steel 304	1,6	-1/+1.5 bar	RF50GT D301	85053301GT
50 mm	G $\frac{1}{4}$ B	Bottom	Stainless steel 304	1,6	-1/+3 bar	RF50GT D301	85054301GT
50 mm	G $\frac{1}{4}$ B	Bottom	Stainless steel 304	1,6	-1/+5 bar	RF50GT D301	85055301GT
50 mm	G $\frac{1}{4}$ B	Bottom	Stainless steel 304	1,6	-1/+9 bar	RF50GT D301	85056301GT
50 mm	G $\frac{1}{4}$ B	Bottom	Stainless steel 304	1,6	-1/+15 bar	RF50GT D301	85057301GT
50 mm	G $\frac{1}{4}$ B	Bottom	Stainless steel 304	1,6	0/0.6 bar	RF50GT D301	85059301GT
50 mm	G $\frac{1}{4}$ B	Bottom	Stainless steel 304	1,6	0/1 bar	RF50GT D301	85060301GT
50 mm	G $\frac{1}{4}$ B	Bottom	Stainless steel 304	1,6	0/1.6 bar	RF50GT D301	85061301GT
50 mm	G $\frac{1}{4}$ B	Bottom	Stainless steel 304	1,6	0/2.5 bar	RF50GT D301	85062301GT



Blue part no. = in-stock items



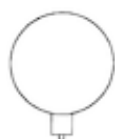
Housing $\varnothing$	Connection	Alignment	Housing	Accuracy class	Range	Type	Part no.
50 mm	G $\frac{1}{4}$ B	Bottom	Stainless steel 304	1,6	0/4 bar	RF50GT D301	85063301GT
50 mm	G $\frac{1}{4}$ B	Bottom	Stainless steel 304	1,6	0/6 bar	RF50GT D301	85064301GT
50 mm	G $\frac{1}{4}$ B	Bottom	Stainless steel 304	1,6	0/10 bar	RF50GT D301	85065301GT
50 mm	G $\frac{1}{4}$ B	Bottom	Stainless steel 304	1,6	0/16 bar	RF50GT D301	85066301GT
50 mm	G $\frac{1}{4}$ B	Bottom	Stainless steel 304	1,6	0/25 bar	RF50GT D301	85067301GT
50 mm	G $\frac{1}{4}$ B	Bottom	Stainless steel 304	1,6	0/40 bar	RF50GT D301	85068301GT
50 mm	G $\frac{1}{4}$ B	Bottom	Stainless steel 304	1,6	0/60 bar	RF50GT D301	85069301GT
50 mm	G $\frac{1}{4}$ B	Bottom	Stainless steel 304	1,6	0/100 bar	RF50GT D301	85070301GT
50 mm	G $\frac{1}{4}$ B	Bottom	Stainless steel 304	1,6	0/160 bar	RF50GT D301	85071301GT
50 mm	G $\frac{1}{4}$ B	Bottom	Stainless steel 304	1,6	0/250 bar	RF50GT D301	85072301GT
50 mm	G $\frac{1}{4}$ B	Bottom	Stainless steel 304	1,6	0/400 bar	RF50GT D301	85073301GT
50 mm	G $\frac{1}{4}$ B	Bottom	Stainless steel 304	1,6	0/315 bar	RF50GT D301	85079301GT

Blue part no. = in-stock items

#### RF63GT D301

Housing $\varnothing$	Connection	Alignment	Housing	Accuracy class	Range	Type	Part no.
63 mm	G $\frac{1}{4}$ B	Bottom	Stainless steel 304	1,6	-1/0 bar	RF63GT D301	85101301GT
63 mm	G $\frac{1}{4}$ B	Bottom	Stainless steel 304	1,6	-1/+0.6 bar	RF63GT D301	85102301GT
63 mm	G $\frac{1}{4}$ B	Bottom	Stainless steel 304	1,6	-1/+1.5 bar	RF63GT D301	85103301GT
63 mm	G $\frac{1}{4}$ B	Bottom	Stainless steel 304	1,6	-1/+3 bar	RF63GT D301	85104301GT
63 mm	G $\frac{1}{4}$ B	Bottom	Stainless steel 304	1,6	-1/+5 bar	RF63GT D301	85105301GT
63 mm	G $\frac{1}{4}$ B	Bottom	Stainless steel 304	1,6	-1/+9 bar	RF63GT D301	85106301GT
63 mm	G $\frac{1}{4}$ B	Bottom	Stainless steel 304	1,6	-1/+15 bar	RF63GT D301	85107301GT
63 mm	G $\frac{1}{4}$ B	Bottom	Stainless steel 304	1,6	0/0.6 bar	RF63GT D301	85109301GT
63 mm	G $\frac{1}{4}$ B	Bottom	Stainless steel 304	1,6	0/1 bar	RF63GT D301	85110301GT
63 mm	G $\frac{1}{4}$ B	Bottom	Stainless steel 304	1,6	0/1.6 bar	RF63GT D301	85111301GT
63 mm	G $\frac{1}{4}$ B	Bottom	Stainless steel 304	1,6	0/2.5 bar	RF63GT D301	85112301GT
63 mm	G $\frac{1}{4}$ B	Bottom	Stainless steel 304	1,6	0/4 bar	RF63GT D301	85113301GT
63 mm	G $\frac{1}{4}$ B	Bottom	Stainless steel 304	1,6	0/6 bar	RF63GT D301	85114301GT
63 mm	G $\frac{1}{4}$ B	Bottom	Stainless steel 304	1,6	0/10 bar	RF63GT D301	85115301GT

Blue part no. = in-stock items





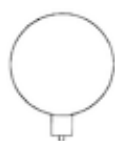
Housing <sup>⊗</sup>	Connection	Alignment	Housing	Accuracy class	Range	Type	Part no.
63 mm	G¼B	Bottom	Stainless steel 304	1,6	0/16 bar	RF63GT D301	85116301GT
63 mm	G¼B	Bottom	Stainless steel 304	1,6	0/25 bar	RF63GT D301	85117301GT
63 mm	G¼B	Bottom	Stainless steel 304	1,6	0/40 bar	RF63GT D301	85118301GT
63 mm	G¼B	Bottom	Stainless steel 304	1,6	0/60 bar	RF63GT D301	85119301GT
63 mm	G¼B	Bottom	Stainless steel 304	1,6	0/100 bar	RF63GT D301	85120301GT
63 mm	G¼B	Bottom	Stainless steel 304	1,6	0/160 bar	RF63GT D301	85121301GT
63 mm	G¼B	Bottom	Stainless steel 304	1,6	0/250 bar	RF63GT D301	85122301GT
63 mm	G¼B	Bottom	Stainless steel 304	1,6	0/400 bar	RF63GT D301	85123301GT
63 mm	G¼B	Bottom	Stainless steel 304	1,6	0/315 bar	RF63GT D301	85129301GT

Blue part no. = in-stock items

#### RF50GT D302

Housing <sup>⊗</sup>	Connection	Alignment	Housing	Accuracy class	Range	Type	Part no.
50 mm	G¼B	Bottom	Stainless steel 304	1,6	-1/0 bar	RF50GT D302	85051302GT
50 mm	G¼B	Bottom	Stainless steel 304	1,6	-1/+0.6 bar	RF50GT D302	85052302GT
50 mm	G¼B	Bottom	Stainless steel 304	1,6	-1/+1.5 bar	RF50GT D302	85053302GT
50 mm	G¼B	Bottom	Stainless steel 304	1,6	-1/+3 bar	RF50GT D302	85054302GT
50 mm	G¼B	Bottom	Stainless steel 304	1,6	-1/+5 bar	RF50GT D302	85055302GT
50 mm	G¼B	Bottom	Stainless steel 304	1,6	-1/+9 bar	RF50GT D302	85056302GT
50 mm	G¼B	Bottom	Stainless steel 304	1,6	-1/+15 bar	RF50GT D302	85057302GT
50 mm	G¼B	Bottom	Stainless steel 304	1,6	0/0.6 bar	RF50GT D302	85059302GT
50 mm	G¼B	Bottom	Stainless steel 304	1,6	0/1 bar	RF50GT D302	85060302GT
50 mm	G¼B	Bottom	Stainless steel 304	1,6	0/1.6 bar	RF50GT D302	85061302GT
50 mm	G¼B	Bottom	Stainless steel 304	1,6	0/2.5 bar	RF50GT D302	85062302GT
50 mm	G¼B	Bottom	Stainless steel 304	1,6	0/4 bar	RF50GT D302	85063302GT
50 mm	G¼B	Bottom	Stainless steel 304	1,6	0/6 bar	RF50GT D302	85064302GT
50 mm	G¼B	Bottom	Stainless steel 304	1,6	0/10 bar	RF50GT D302	85065302GT
50 mm	G¼B	Bottom	Stainless steel 304	1,6	0/16 bar	RF50GT D302	85066302GT
50 mm	G¼B	Bottom	Stainless steel 304	1,6	0/25 bar	RF50GT D302	85067302GT
50 mm	G¼B	Bottom	Stainless steel 304	1,6	0/40 bar	RF50GT D302	85068302GT

Blue part no. = in-stock items





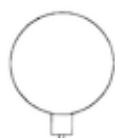
Housing $\varnothing$	Connection	Alignment	Housing	Accuracy class	Range	Type	Part no.
50 mm	G $\frac{1}{4}$ B	Bottom	Stainless steel 304	1,6	0/60 bar	RF50GT D302	85069302GT
50 mm	G $\frac{1}{4}$ B	Bottom	Stainless steel 304	1,6	0/100 bar	RF50GT D302	85070302GT
50 mm	G $\frac{1}{4}$ B	Bottom	Stainless steel 304	1,6	0/160 bar	RF50GT D302	85071302GT
50 mm	G $\frac{1}{4}$ B	Bottom	Stainless steel 304	1,6	0/250 bar	RF50GT D302	85072302GT
50 mm	G $\frac{1}{4}$ B	Bottom	Stainless steel 304	1,6	0/400 bar	RF50GT D302	85073302GT
50 mm	G $\frac{1}{4}$ B	Bottom	Stainless steel 304	1,6	0/315 bar	RF50GT D302	85079302GT

Blue part no. = in-stock items

### RF63GT D302

Housing $\varnothing$	Connection	Alignment	Housing	Accuracy class	Range	Type	Part no.
63 mm	G $\frac{1}{4}$ B	Bottom	Stainless steel 304	1,6	-1/0 bar	RF63GT D302	85101302GT
63 mm	G $\frac{1}{4}$ B	Bottom	Stainless steel 304	1,6	-1/+0.6 bar	RF63GT D302	85102302GT
63 mm	G $\frac{1}{4}$ B	Bottom	Stainless steel 304	1,6	-1/+1.5 bar	RF63GT D302	85103302GT
63 mm	G $\frac{1}{4}$ B	Bottom	Stainless steel 304	1,6	-1/+3 bar	RF63GT D302	85104302GT
63 mm	G $\frac{1}{4}$ B	Bottom	Stainless steel 304	1,6	-1/+5 bar	RF63GT D302	85105302GT
63 mm	G $\frac{1}{4}$ B	Bottom	Stainless steel 304	1,6	-1/+9 bar	RF63GT D302	85106302GT
63 mm	G $\frac{1}{4}$ B	Bottom	Stainless steel 304	1,6	-1/+15 bar	RF63GT D302	85107302GT
63 mm	G $\frac{1}{4}$ B	Bottom	Stainless steel 304	1,6	0/0.6 bar	RF63GT D302	85109302GT
63 mm	G $\frac{1}{4}$ B	Bottom	Stainless steel 304	1,6	0/1 bar	RF63GT D302	85110302GT
63 mm	G $\frac{1}{4}$ B	Bottom	Stainless steel 304	1,6	0/1.6 bar	RF63GT D302	85111302GT
63 mm	G $\frac{1}{4}$ B	Bottom	Stainless steel 304	1,6	0/2.5 bar	RF63GT D302	85112302GT
63 mm	G $\frac{1}{4}$ B	Bottom	Stainless steel 304	1,6	0/4 bar	RF63GT D302	85113302GT
63 mm	G $\frac{1}{4}$ B	Bottom	Stainless steel 304	1,6	0/6 bar	RF63GT D302	85114302GT
63 mm	G $\frac{1}{4}$ B	Bottom	Stainless steel 304	1,6	0/10 bar	RF63GT D302	85115302GT
63 mm	G $\frac{1}{4}$ B	Bottom	Stainless steel 304	1,6	0/16 bar	RF63GT D302	85116302GT
63 mm	G $\frac{1}{4}$ B	Bottom	Stainless steel 304	1,6	0/25 bar	RF63GT D302	85117302GT
63 mm	G $\frac{1}{4}$ B	Bottom	Stainless steel 304	1,6	0/40 bar	RF63GT D302	85118302GT
63 mm	G $\frac{1}{4}$ B	Bottom	Stainless steel 304	1,6	0/60 bar	RF63GT D302	85119302GT
63 mm	G $\frac{1}{4}$ B	Bottom	Stainless steel 304	1,6	0/100 bar	RF63GT D302	85120302GT
63 mm	G $\frac{1}{4}$ B	Bottom	Stainless steel 304	1,6	0/160 bar	RF63GT D302	85121302GT

Blue part no. = in-stock items





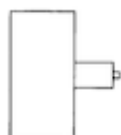
Housing <sup>⊗</sup>	Connection	Alignment	Housing	Accuracy class	Range	Type	Part no.
63 mm	G¼B	Bottom	Stainless steel 304	1,6	0/250 bar	RF63GT D302	85122302GT
63 mm	G¼B	Bottom	Stainless steel 304	1,6	0/400 bar	RF63GT D302	85123302GT
63 mm	G¼B	Bottom	Stainless steel 304	1,6	0/315 bar	RF63GT D302	85129302GT

Blue part no. = in-stock items

### RF50GT D311

Housing <sup>⊗</sup>	Connection	Alignment	Housing	Accuracy class	Range	Type	Part no.
50 mm	G¼B	Centre back	Stainless steel 304	1,6	-1/0 bar	RF50GT D311	85051311GT
50 mm	G¼B	Centre back	Stainless steel 304	1,6	-1/+0.6 bar	RF50GT D311	85052311GT
50 mm	G¼B	Centre back	Stainless steel 304	1,6	-1/+1.5 bar	RF50GT D311	85053311GT
50 mm	G¼B	Centre back	Stainless steel 304	1,6	-1/+3 bar	RF50GT D311	85054311GT
50 mm	G¼B	Centre back	Stainless steel 304	1,6	-1/+5 bar	RF50GT D311	85055311GT
50 mm	G¼B	Centre back	Stainless steel 304	1,6	-1/+9 bar	RF50GT D311	85056311GT
50 mm	G¼B	Centre back	Stainless steel 304	1,6	-1/+15 bar	RF50GT D311	85057311GT
50 mm	G¼B	Centre back	Stainless steel 304	1,6	0/0.6 bar	RF50GT D311	85059311GT
50 mm	G¼B	Centre back	Stainless steel 304	1,6	0/1 bar	RF50GT D311	85060311GT
50 mm	G¼B	Centre back	Stainless steel 304	1,6	0/1.6 bar	RF50GT D311	85061311GT
50 mm	G¼B	Centre back	Stainless steel 304	1,6	0/2.5 bar	RF50GT D311	85062311GT
50 mm	G¼B	Centre back	Stainless steel 304	1,6	0/4 bar	RF50GT D311	85063311GT
50 mm	G¼B	Centre back	Stainless steel 304	1,6	0/6 bar	RF50GT D311	85064311GT
50 mm	G¼B	Centre back	Stainless steel 304	1,6	0/10 bar	RF50GT D311	85065311GT
50 mm	G¼B	Centre back	Stainless steel 304	1,6	0/16 bar	RF50GT D311	85066311GT
50 mm	G¼B	Centre back	Stainless steel 304	1,6	0/25 bar	RF50GT D311	85067311GT
50 mm	G¼B	Centre back	Stainless steel 304	1,6	0/40 bar	RF50GT D311	85068311GT
50 mm	G¼B	Centre back	Stainless steel 304	1,6	0/60 bar	RF50GT D311	85069311GT
50 mm	G¼B	Centre back	Stainless steel 304	1,6	0/100 bar	RF50GT D311	85070311GT
50 mm	G¼B	Centre back	Stainless steel 304	1,6	0/160 bar	RF50GT D311	85071311GT
50 mm	G¼B	Centre back	Stainless steel 304	1,6	0/250 bar	RF50GT D311	85072311GT
50 mm	G¼B	Centre back	Stainless steel 304	1,6	0/315 bar	RF50GT D311	85073311GT
50 mm	G¼B	Centre back	Stainless steel 304	1,6	0/400 bar	RF50GT D311	85079311GT

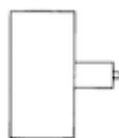
Blue part no. = in-stock items





**RF63GT D311**

Housing $\varnothing$	Connection	Alignment	Housing	Accuracy class	Range	Type	Part no.
63 mm	G $\frac{1}{4}$ B	Centre back	Stainless steel 304	1,6	-1/0 bar	RF63GT D311	85101311GT
63 mm	G $\frac{1}{4}$ B	Centre back	Stainless steel 304	1,6	-1/+0.6 bar	RF63GT D311	85102311GT
63 mm	G $\frac{1}{4}$ B	Centre back	Stainless steel 304	1,6	-1/+1.5 bar	RF63GT D311	85103311GT
63 mm	G $\frac{1}{4}$ B	Centre back	Stainless steel 304	1,6	-1/+3 bar	RF63GT D311	85104311GT
63 mm	G $\frac{1}{4}$ B	Centre back	Stainless steel 304	1,6	-1/+5 bar	RF63GT D311	85105311GT
63 mm	G $\frac{1}{4}$ B	Centre back	Stainless steel 304	1,6	-1/+9 bar	RF63GT D311	85106311GT
63 mm	G $\frac{1}{4}$ B	Centre back	Stainless steel 304	1,6	-1/+15 bar	RF63GT D311	85107311GT
63 mm	G $\frac{1}{4}$ B	Centre back	Stainless steel 304	1,6	0/0.6 bar	RF63GT D311	85109311GT
63 mm	G $\frac{1}{4}$ B	Centre back	Stainless steel 304	1,6	0/1 bar	RF63GT D311	85110311GT
63 mm	G $\frac{1}{4}$ B	Centre back	Stainless steel 304	1,6	0/1.6 bar	RF63GT D311	85111311GT
63 mm	G $\frac{1}{4}$ B	Centre back	Stainless steel 304	1,6	0/2.5 bar	RF63GT D311	85112311GT
63 mm	G $\frac{1}{4}$ B	Centre back	Stainless steel 304	1,6	0/4 bar	RF63GT D311	85113311GT
63 mm	G $\frac{1}{4}$ B	Centre back	Stainless steel 304	1,6	0/6 bar	RF63GT D311	85114311GT
63 mm	G $\frac{1}{4}$ B	Centre back	Stainless steel 304	1,6	0/10 bar	RF63GT D311	85115311GT
63 mm	G $\frac{1}{4}$ B	Centre back	Stainless steel 304	1,6	0/16 bar	RF63GT D311	85116311GT
63 mm	G $\frac{1}{4}$ B	Centre back	Stainless steel 304	1,6	0/25 bar	RF63GT D311	85117311GT
63 mm	G $\frac{1}{4}$ B	Centre back	Stainless steel 304	1,6	0/40 bar	RF63GT D311	85118311GT
63 mm	G $\frac{1}{4}$ B	Centre back	Stainless steel 304	1,6	0/60 bar	RF63GT D311	85119311GT
63 mm	G $\frac{1}{4}$ B	Centre back	Stainless steel 304	1,6	0/100 bar	RF63GT D311	85120311GT
63 mm	G $\frac{1}{4}$ B	Centre back	Stainless steel 304	1,6	0/160 bar	RF63GT D311	85121311GT
63 mm	G $\frac{1}{4}$ B	Centre back	Stainless steel 304	1,6	0/250 bar	RF63GT D311	85122311GT
63 mm	G $\frac{1}{4}$ B	Centre back	Stainless steel 304	1,6	0/400 bar	RF63GT D311	85123311GT
63 mm	G $\frac{1}{4}$ B	Centre back	Stainless steel 304	1,6	0/315 bar	RF63GT D311	85129311GT



Blue part no. = in-stock items