



Capsule pressure gauges for chemical applications Type D4



Benefits

- With zero correction
- Robust stainless steel housing (with bayonet bezel)
- Wetted parts and movement made of stainless steel
- GOSSTANDART-certified
- Ex version (optional)

Application

For corrosive gaseous and dry media, also for use in corrosive environments.

Technical specifications

Type

D4

Nominal size

63 – 100 – 160

Accuracy class (EN 837-3/6)

1,6

Ranges (EN 837-3/5)

See ordering table

Application area

Static load: Full scale value
Dynamic load: 0.9 x full scale value
Overload safety: 1.3 x full scale value

Operating temperature range

Medium: Max. 100 °C
Ambient: -20/+60 °C

Temperature performance

Indication error when the temperature of the measuring system deviates from the normal temperature of 20 °C:
at rising temperature approx. $\pm 0.6 \text{ \%}/10 \text{ K}$
falling temperature approx. $\pm 0.6 \text{ \%}/10 \text{ K}$
of full scale value

Degree of protection

IP 32 (EN 60529)



Standard version

Connection

Stainless steel 316 Ti/316 L, bottom or centre back

Measuring element

Capsule element, stainless steel 316 Ti/316 L

Movement

Stainless steel

Zero correction

From the front

Seal

FKM (Viton)

Dial

Aluminium, white

Scaling black

Pointer

Aluminium, black

Housing

Stainless steel 304

Bayonet type bezel

Stainless steel 304

Window

D402: Laminated safety glass

D412: Laminated safety glass

D432: Plastic (PMMA)

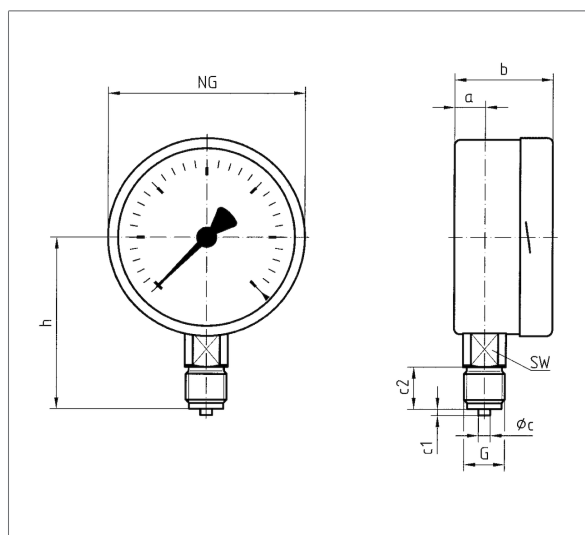
D452: Plastic (PMMA)

Options

- Back flange
- Panel mounting bezel
- 3-hole fixing, panel mounting bezel
- Ex version
- Damping screw
- Special scales
- Other process connections

Technical drawings

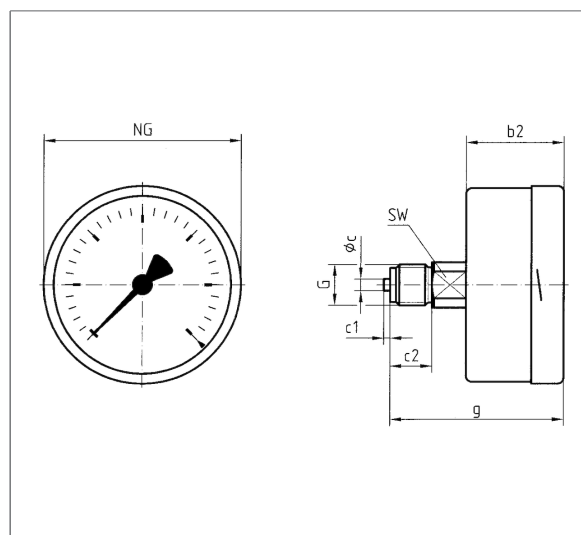
Bottom connection



Dimensions (mm)

NG	a	b	∅c	c1	c2	G	h	SW
63	10,8	40	5	2	13	G $\frac{1}{4}$ B	53	14
100	15,6	49	6	3	20	G $\frac{1}{2}$ B	86	22
160	17,5	50	6	3	20	G $\frac{1}{2}$ B	116	22

Centre back connection

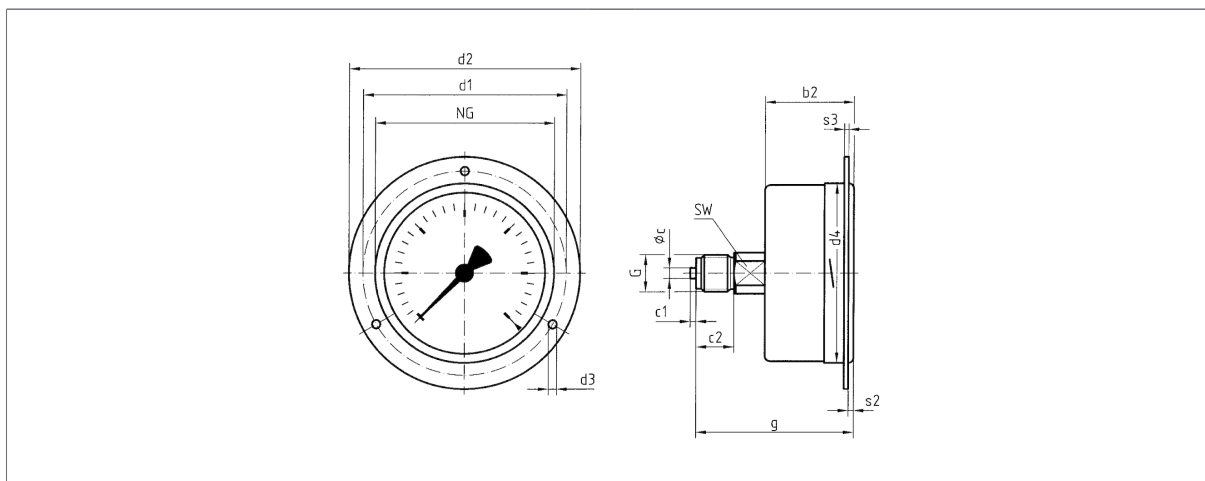


Dimensions (mm)

NG	b2	∅c	c1	c2	G	g	SW
63	37	5	2	13	G $\frac{1}{4}$ B	60	14
100	49	6	3	20	G $\frac{1}{2}$ B	81	22
160	50	6	3	20	G $\frac{1}{2}$ B	84	22



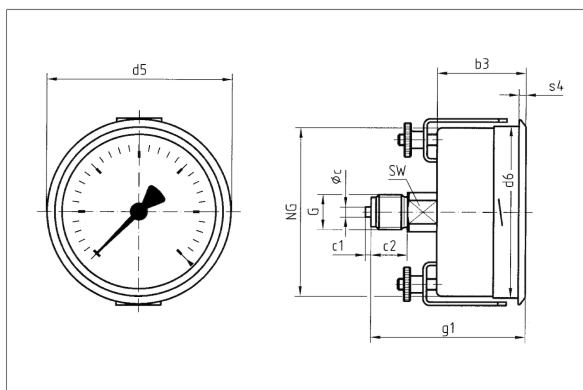
Centre back connection, 3-hole fixing, panel mounting bezel



Dimensions (mm)

NG	b2	∅c	c1	c2	d1*	d2	d3*	d4	G	g	s2	s3	SW
63	37	5	2	13	75	85	3,5	64	G $\frac{1}{4}$ B	60	3	2	14
100	49	6	3	20	116	132	4,8	104	G $\frac{1}{2}$ B	81	4	2	22
160	50	6	3	20	178	196	5,8	164	G $\frac{1}{2}$ B	82	4	2	22

Centre back connection, panel mounting bezel with clamp fixing



Dimensions (mm)

NG	b3	∅c	c1	c2	d5	d6	G	g1	s4	SW
63	37	5	2	13	68	64	G $\frac{1}{4}$ B	60	3	14
100	49	6	3	20	107	101	G $\frac{1}{2}$ B	81	4	22
160	52	6	3	20	167	161	G $\frac{1}{2}$ B	84	4,5	22



Versions

KP63Ch D402

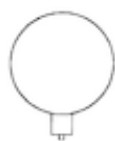
Housing \varnothing	Connection	Alignment	Housing	Accuracy class	Range	Type	Part no.
63 mm	G $\frac{1}{4}$ B	Bottom	Stainless steel 304	1,6	-25/0 mbar	KP63Ch D402	35004402
63 mm	G $\frac{1}{4}$ B	Bottom	Stainless steel 304	1,6	-40/0 mbar	KP63Ch D402	35005402
63 mm	G $\frac{1}{4}$ B	Bottom	Stainless steel 304	1,6	-60/0 mbar	KP63Ch D402	35006402
63 mm	G $\frac{1}{4}$ B	Bottom	Stainless steel 304	1,6	-100/0 mbar	KP63Ch D402	35007402
63 mm	G $\frac{1}{4}$ B	Bottom	Stainless steel 304	1,6	-160/0 mbar	KP63Ch D402	35008402
63 mm	G $\frac{1}{4}$ B	Bottom	Stainless steel 304	1,6	-250/0 mbar	KP63Ch D402	35009402
63 mm	G $\frac{1}{4}$ B	Bottom	Stainless steel 304	1,6	-400/0 mbar	KP63Ch D402	35010402
63 mm	G $\frac{1}{4}$ B	Bottom	Stainless steel 304	1,6	-600/0 mbar	KP63Ch D402	35011402
63 mm	G $\frac{1}{4}$ B	Bottom	Stainless steel 304	1,6	-1,000/0 mbar	KP63Ch D402	35012402
63 mm	G $\frac{1}{4}$ B	Bottom	Stainless steel 304	1,6	0/25 mbar	KP63Ch D402	35016402
63 mm	G $\frac{1}{4}$ B	Bottom	Stainless steel 304	1,6	0/40 mbar	KP63Ch D402	35017402
63 mm	G $\frac{1}{4}$ B	Bottom	Stainless steel 304	1,6	0/60 mbar	KP63Ch D402	35018402
63 mm	G $\frac{1}{4}$ B	Bottom	Stainless steel 304	1,6	0/100 mbar	KP63Ch D402	35019402
63 mm	G $\frac{1}{4}$ B	Bottom	Stainless steel 304	1,6	0/160 mbar	KP63Ch D402	35020402
63 mm	G $\frac{1}{4}$ B	Bottom	Stainless steel 304	1,6	0/250 mbar	KP63Ch D402	35021402
63 mm	G $\frac{1}{4}$ B	Bottom	Stainless steel 304	1,6	0/400 mbar	KP63Ch D402	35022402
63 mm	G $\frac{1}{4}$ B	Bottom	Stainless steel 304	1,6	0/600 mbar	KP63Ch D402	35023402
63 mm	G $\frac{1}{4}$ B	Bottom	Stainless steel 304	1,6	0/1,000 mbar	KP63Ch D402	35024402



Blue part no. = in-stock items

KP100Ch D402

Housing \varnothing	Connection	Alignment	Housing	Accuracy class	Range	Type	Part no.
100 mm	G $\frac{1}{2}$ B	Bottom	Stainless steel 304	1,6	-25/0 mbar	KP100Ch D402	35104402
100 mm	G $\frac{1}{2}$ B	Bottom	Stainless steel 304	1,6	-40/0 mbar	KP100Ch D402	35105402
100 mm	G $\frac{1}{2}$ B	Bottom	Stainless steel 304	1,6	-60/0 mbar	KP100Ch D402	35106402
100 mm	G $\frac{1}{2}$ B	Bottom	Stainless steel 304	1,6	-100/0 mbar	KP100Ch D402	35107402
100 mm	G $\frac{1}{2}$ B	Bottom	Stainless steel 304	1,6	-160/0 mbar	KP100Ch D402	35108402



Blue part no. = in-stock items



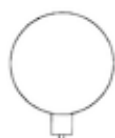
Housing \varnothing	Connection	Alignment	Housing	Accuracy class	Range	Type	Part no.
100 mm	G½B	Bottom	Stainless steel 304	1,6	-250/0 mbar	KP100Ch D402	35109402
100 mm	G½B	Bottom	Stainless steel 304	1,6	-400/0 mbar	KP100Ch D402	35110402
100 mm	G½B	Bottom	Stainless steel 304	1,6	-600/0 mbar	KP100Ch D402	35111402
100 mm	G½B	Bottom	Stainless steel 304	1,6	-1,000/0 mbar	KP100Ch D402	35112402
100 mm	G½B	Bottom	Stainless steel 304	1,6	0/25 mbar	KP100Ch D402	35116402
100 mm	G½B	Bottom	Stainless steel 304	1,6	0/40 mbar	KP100Ch D402	35117402
100 mm	G½B	Bottom	Stainless steel 304	1,6	0/60 mbar	KP100Ch D402	35118402
100 mm	G½B	Bottom	Stainless steel 304	1,6	0/100 mbar	KP100Ch D402	35119402
100 mm	G½B	Bottom	Stainless steel 304	1,6	0/160 mbar	KP100Ch D402	35120402
100 mm	G½B	Bottom	Stainless steel 304	1,6	0/250 mbar	KP100Ch D402	35121402
100 mm	G½B	Bottom	Stainless steel 304	1,6	0/400 mbar	KP100Ch D402	35122402
100 mm	G½B	Bottom	Stainless steel 304	1,6	0/600 mbar	KP100Ch D402	35123402
100 mm	G½B	Bottom	Stainless steel 304	1,6	0/1,000 mbar	KP100Ch D402	35124402

Blue part no. = in-stock items

KP160Ch D402

Housing \varnothing	Connection	Alignment	Housing	Accuracy class	Range	Type	Part no.
160 mm	G½B	Bottom	Stainless steel 304	1,6	-25/0 mbar	KP160Ch D402	35154402
160 mm	G½B	Bottom	Stainless steel 304	1,6	-40/0 mbar	KP160Ch D402	35155402
160 mm	G½B	Bottom	Stainless steel 304	1,6	-60/0 mbar	KP160Ch D402	35156402
160 mm	G½B	Bottom	Stainless steel 304	1,6	-100/0 mbar	KP160Ch D402	35157402
160 mm	G½B	Bottom	Stainless steel 304	1,6	-160/0 mbar	KP160Ch D402	35158402
160 mm	G½B	Bottom	Stainless steel 304	1,6	-250/0 mbar	KP160Ch D402	35159402
160 mm	G½B	Bottom	Stainless steel 304	1,6	-400/0 mbar	KP160Ch D402	35160402
160 mm	G½B	Bottom	Stainless steel 304	1,6	-600/0 mbar	KP160Ch D402	35161402
160 mm	G½B	Bottom	Stainless steel 304	1,6	-1,000/0 mbar	KP160Ch D402	35162402
160 mm	G½B	Bottom	Stainless steel 304	1,6	0/25 mbar	KP160Ch D402	35166402
160 mm	G½B	Bottom	Stainless steel 304	1,6	0/40 mbar	KP160Ch D402	35167402
160 mm	G½B	Bottom	Stainless steel 304	1,6	0/60 mbar	KP160Ch D402	35168402
160 mm	G½B	Bottom	Stainless steel 304	1,6	0/100 mbar	KP160Ch D402	35169402

Blue part no. = in-stock items





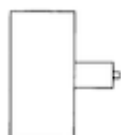
Housing \varnothing	Connection	Alignment	Housing	Accuracy class	Range	Type	Part no.
160 mm	G½B	Bottom	Stainless steel 304	1,6	0/160 mbar	KP160Ch D402	35170402
160 mm	G½B	Bottom	Stainless steel 304	1,6	0/250 mbar	KP160Ch D402	35171402
160 mm	G½B	Bottom	Stainless steel 304	1,6	0/400 mbar	KP160Ch D402	35172402
160 mm	G½B	Bottom	Stainless steel 304	1,6	0/600 mbar	KP160Ch D402	35173402
160 mm	G½B	Bottom	Stainless steel 304	1,6	0/1,000 mbar	KP160Ch D402	35174402

Blue part no. = in-stock items

KP63Ch D412

Housing \varnothing	Connection	Alignment	Housing	Accuracy class	Range	Type	Part no.
63 mm	G¼B	Centre back	Stainless steel 304	1,6	-25/0 mbar	KP63Ch D412	35004412
63 mm	G¼B	Centre back	Stainless steel 304	1,6	-40/0 mbar	KP63Ch D412	35005412
63 mm	G¼B	Centre back	Stainless steel 304	1,6	-60/0 mbar	KP63Ch D412	35006412
63 mm	G¼B	Centre back	Stainless steel 304	1,6	-100/0 mbar	KP63Ch D412	35007412
63 mm	G¼B	Centre back	Stainless steel 304	1,6	-160/0 mbar	KP63Ch D412	35008412
63 mm	G¼B	Centre back	Stainless steel 304	1,6	-250/0 mbar	KP63Ch D412	35009412
63 mm	G¼B	Centre back	Stainless steel 304	1,6	-400/0 mbar	KP63Ch D412	35010412
63 mm	G¼B	Centre back	Stainless steel 304	1,6	-600/0 mbar	KP63Ch D412	35011412
63 mm	G¼B	Centre back	Stainless steel 304	1,6	-1,000/0 mbar	KP63Ch D412	35012412
63 mm	G¼B	Centre back	Stainless steel 304	1,6	0/25 mbar	KP63Ch D412	35016412
63 mm	G¼B	Centre back	Stainless steel 304	1,6	0/40 mbar	KP63Ch D412	35017412
63 mm	G¼B	Centre back	Stainless steel 304	1,6	0/60 mbar	KP63Ch D412	35018412
63 mm	G¼B	Centre back	Stainless steel 304	1,6	0/100 mbar	KP63Ch D412	35019412
63 mm	G¼B	Centre back	Stainless steel 304	1,6	0/160 mbar	KP63Ch D412	35020412
63 mm	G¼B	Centre back	Stainless steel 304	1,6	0/250 mbar	KP63Ch D412	35021412
63 mm	G¼B	Centre back	Stainless steel 304	1,6	0/400 mbar	KP63Ch D412	35022412
63 mm	G¼B	Centre back	Stainless steel 304	1,6	0/600 mbar	KP63Ch D412	35023412
63 mm	G¼B	Centre back	Stainless steel 304	1,6	0/1,000 mbar	KP63Ch D412	35024412

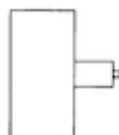
Blue part no. = in-stock items





KP100Ch D412

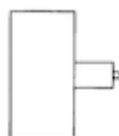
Housing \varnothing	Connection	Alignment	Housing	Accuracy class	Range	Type	Part no.
100 mm	G½B	Centre back	Stainless steel 304	1,6	-25/0 mbar	KP100Ch D412	35104412
100 mm	G½B	Centre back	Stainless steel 304	1,6	-40/0 mbar	KP100Ch D412	35105412
100 mm	G½B	Centre back	Stainless steel 304	1,6	-60/0 mbar	KP100Ch D412	35106412
100 mm	G½B	Centre back	Stainless steel 304	1,6	-100/0 mbar	KP100Ch D412	35107412
100 mm	G½B	Centre back	Stainless steel 304	1,6	-160/0 mbar	KP100Ch D412	35108412
100 mm	G½B	Centre back	Stainless steel 304	1,6	-250/0 mbar	KP100Ch D412	35109412
100 mm	G½B	Centre back	Stainless steel 304	1,6	-400/0 mbar	KP100Ch D412	35110412
100 mm	G½B	Centre back	Stainless steel 304	1,6	-600/0 mbar	KP100Ch D412	35111412
100 mm	G½B	Centre back	Stainless steel 304	1,6	-1,000/0 mbar	KP100Ch D412	35112412
100 mm	G½B	Centre back	Stainless steel 304	1,6	0/25 mbar	KP100Ch D412	35116412
100 mm	G½B	Centre back	Stainless steel 304	1,6	0/40 mbar	KP100Ch D412	35117412
100 mm	G½B	Centre back	Stainless steel 304	1,6	0/60 mbar	KP100Ch D412	35118412
100 mm	G½B	Centre back	Stainless steel 304	1,6	0/100 mbar	KP100Ch D412	35119412
100 mm	G½B	Centre back	Stainless steel 304	1,6	0/160 mbar	KP100Ch D412	35120412
100 mm	G½B	Centre back	Stainless steel 304	1,6	0/250 mbar	KP100Ch D412	35121412
100 mm	G½B	Centre back	Stainless steel 304	1,6	0/400 mbar	KP100Ch D412	35122412
100 mm	G½B	Centre back	Stainless steel 304	1,6	0/600 mbar	KP100Ch D412	35123412
100 mm	G½B	Centre back	Stainless steel 304	1,6	0/1,000 mbar	KP100Ch D412	35124412



Blue part no. = in-stock items

KP160Ch D412

Housing \varnothing	Connection	Alignment	Housing	Accuracy class	Range	Type	Part no.
160 mm	G½B	Centre back	Stainless steel 304	1,6	-25/0 mbar	KP160Ch D412	35154412
160 mm	G½B	Centre back	Stainless steel 304	1,6	-40/0 mbar	KP160Ch D412	35155412
160 mm	G½B	Centre back	Stainless steel 304	1,6	-60/0 mbar	KP160Ch D412	35156412
160 mm	G½B	Centre back	Stainless steel 304	1,6	-100/0 mbar	KP160Ch D412	35157412
160 mm	G½B	Centre back	Stainless steel 304	1,6	-160/0 mbar	KP160Ch D412	35158412
160 mm	G½B	Centre back	Stainless steel 304	1,6	-250/0 mbar	KP160Ch D412	35159412
160 mm	G½B	Centre back	Stainless steel 304	1,6	-400/0 mbar	KP160Ch D412	35160412



Blue part no. = in-stock items



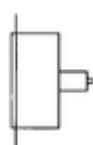
Housing ^ø	Connection	Alignment	Housing	Accuracy class	Range	Type	Part no.
160 mm	G½B	Centre back	Stainless steel 304	1,6	-600/0 mbar	KP160Ch D412	35161412
160 mm	G½B	Centre back	Stainless steel 304	1,6	-1,000/0 mbar	KP160Ch D412	35162412
160 mm	G½B	Centre back	Stainless steel 304	1,6	0/25 mbar	KP160Ch D412	35166412
160 mm	G½B	Centre back	Stainless steel 304	1,6	0/40 mbar	KP160Ch D412	35167412
160 mm	G½B	Centre back	Stainless steel 304	1,6	0/60 mbar	KP160Ch D412	35168412
160 mm	G½B	Centre back	Stainless steel 304	1,6	0/100 mbar	KP160Ch D412	35169412
160 mm	G½B	Centre back	Stainless steel 304	1,6	0/160 mbar	KP160Ch D412	35170412
160 mm	G½B	Centre back	Stainless steel 304	1,6	0/250 mbar	KP160Ch D412	35171412
160 mm	G½B	Centre back	Stainless steel 304	1,6	0/400 mbar	KP160Ch D412	35172412
160 mm	G½B	Centre back	Stainless steel 304	1,6	0/600 mbar	KP160Ch D412	35173412
160 mm	G½B	Centre back	Stainless steel 304	1,6	0/1,000 mbar	KP160Ch D412	35174412

Blue part no. = in-stock items

KP63Ch D432

Housing ^ø	Connection	Alignment	Housing	Accuracy class	Range	Type	Part no.
63 mm	G¼B	Centre back	Stainless steel 304	1,6	-25/0 mbar	KP63Ch D432	35004432
63 mm	G¼B	Centre back	Stainless steel 304	1,6	-40/0 mbar	KP63Ch D432	35005432
63 mm	G¼B	Centre back	Stainless steel 304	1,6	-60/0 mbar	KP63Ch D432	35006432
63 mm	G¼B	Centre back	Stainless steel 304	1,6	-100/0 mbar	KP63Ch D432	35007432
63 mm	G¼B	Centre back	Stainless steel 304	1,6	-160/0 mbar	KP63Ch D432	35008432
63 mm	G¼B	Centre back	Stainless steel 304	1,6	-250/0 mbar	KP63Ch D432	35009432
63 mm	G¼B	Centre back	Stainless steel 304	1,6	-400/0 mbar	KP63Ch D432	35010432
63 mm	G¼B	Centre back	Stainless steel 304	1,6	-600/0 mbar	KP63Ch D432	35011432
63 mm	G¼B	Centre back	Stainless steel 304	1,6	-1,000/0 mbar	KP63Ch D432	35012432
63 mm	G¼B	Centre back	Stainless steel 304	1,6	0/25 mbar	KP63Ch D432	35016432
63 mm	G¼B	Centre back	Stainless steel 304	1,6	0/40 mbar	KP63Ch D432	35017432
63 mm	G¼B	Centre back	Stainless steel 304	1,6	0/60 mbar	KP63Ch D432	35018432
63 mm	G¼B	Centre back	Stainless steel 304	1,6	0/100 mbar	KP63Ch D432	35019432
63 mm	G¼B	Centre back	Stainless steel 304	1,6	0/160 mbar	KP63Ch D432	35020432
63 mm	G¼B	Centre back	Stainless steel 304	1,6	0/250 mbar	KP63Ch D432	35021432

Blue part no. = in-stock items





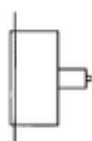
Housing [⊗]	Connection	Alignment	Housing	Accuracy class	Range	Type	Part no.
63 mm	G¼B	Centre back	Stainless steel 304	1,6	0/400 mbar	KP63Ch D432	35022432
63 mm	G¼B	Centre back	Stainless steel 304	1,6	0/600 mbar	KP63Ch D432	35023432
63 mm	G¼B	Centre back	Stainless steel 304	1,6	0/1,000 mbar	KP63Ch D432	35024432

Blue part no. = in-stock items

KP100Ch D432

Housing [⊗]	Connection	Alignment	Housing	Accuracy class	Range	Type	Part no.
100 mm	G½B	Centre back	Stainless steel 304	1,6	-25/0 mbar	KP100Ch D432	35104432
100 mm	G½B	Centre back	Stainless steel 304	1,6	-40/0 mbar	KP100Ch D432	35105432
100 mm	G½B	Centre back	Stainless steel 304	1,6	-60/0 mbar	KP100Ch D432	35106432
100 mm	G½B	Centre back	Stainless steel 304	1,6	-100/0 mbar	KP100Ch D432	35107432
100 mm	G½B	Centre back	Stainless steel 304	1,6	-160/0 mbar	KP100Ch D432	35108432
100 mm	G½B	Centre back	Stainless steel 304	1,6	-250/0 mbar	KP100Ch D432	35109432
100 mm	G½B	Centre back	Stainless steel 304	1,6	-400/0 mbar	KP100Ch D432	35110432
100 mm	G½B	Centre back	Stainless steel 304	1,6	-600/0 mbar	KP100Ch D432	35111432
100 mm	G½B	Centre back	Stainless steel 304	1,6	-1,000/0 mbar	KP100Ch D432	35112432
100 mm	G½B	Centre back	Stainless steel 304	1,6	0/25 mbar	KP100Ch D432	35116432
100 mm	G½B	Centre back	Stainless steel 304	1,6	0/40 mbar	KP100Ch D432	35117432
100 mm	G½B	Centre back	Stainless steel 304	1,6	0/60 mbar	KP100Ch D432	35118432
100 mm	G½B	Centre back	Stainless steel 304	1,6	0/100 mbar	KP100Ch D432	35119432
100 mm	G½B	Centre back	Stainless steel 304	1,6	0/160 mbar	KP100Ch D432	35120432
100 mm	G½B	Centre back	Stainless steel 304	1,6	0/250 mbar	KP100Ch D432	35121432
100 mm	G½B	Centre back	Stainless steel 304	1,6	0/400 mbar	KP100Ch D432	35122432
100 mm	G½B	Centre back	Stainless steel 304	1,6	0/600 mbar	KP100Ch D432	35123432
100 mm	G½B	Centre back	Stainless steel 304	1,6	0/1,000 mbar	KP100Ch D432	35124432

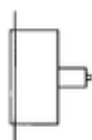
Blue part no. = in-stock items





KP160Ch D432

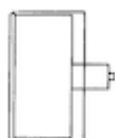
Housing \varnothing	Connection	Alignment	Housing	Accuracy class	Range	Type	Part no.
160 mm	G½B	Centre back	Stainless steel 304	1,6	-25/0 mbar	KP160Ch D432	35154432
160 mm	G½B	Centre back	Stainless steel 304	1,6	-40/0 mbar	KP160Ch D432	35155432
160 mm	G½B	Centre back	Stainless steel 304	1,6	-60/0 mbar	KP160Ch D432	35156432
160 mm	G½B	Centre back	Stainless steel 304	1,6	-100/0 mbar	KP160Ch D432	35157432
160 mm	G½B	Centre back	Stainless steel 304	1,6	-160/0 mbar	KP160Ch D432	35158432
160 mm	G½B	Centre back	Stainless steel 304	1,6	-250/0 mbar	KP160Ch D432	35159432
160 mm	G½B	Centre back	Stainless steel 304	1,6	-400/0 mbar	KP160Ch D432	35160432
160 mm	G½B	Centre back	Stainless steel 304	1,6	-600/0 mbar	KP160Ch D432	35161432
160 mm	G½B	Centre back	Stainless steel 304	1,6	-1,000/0 mbar	KP160Ch D432	35162432
160 mm	G½B	Centre back	Stainless steel 304	1,6	0/25 mbar	KP160Ch D432	35166432
160 mm	G½B	Centre back	Stainless steel 304	1,6	0/40 mbar	KP160Ch D432	35167432
160 mm	G½B	Centre back	Stainless steel 304	1,6	0/60 mbar	KP160Ch D432	35168432
160 mm	G½B	Centre back	Stainless steel 304	1,6	0/100 mbar	KP160Ch D432	35169432
160 mm	G½B	Centre back	Stainless steel 304	1,6	0/160 mbar	KP160Ch D432	35170432
160 mm	G½B	Centre back	Stainless steel 304	1,6	0/250 mbar	KP160Ch D432	35171432
160 mm	G½B	Centre back	Stainless steel 304	1,6	0/400 mbar	KP160Ch D432	35172432
160 mm	G½B	Centre back	Stainless steel 304	1,6	0/600 mbar	KP160Ch D432	35173432
160 mm	G½B	Centre back	Stainless steel 304	1,6	0/1,000 mbar	KP160Ch D432	35174432



Blue part no. = in-stock items

KP63Ch D452

Housing \varnothing	Connection	Alignment	Housing	Accuracy class	Range	Type	Part no.
63 mm	G¼B	Centre back	Stainless steel 304	1,6	-25/0 mbar	KP63Ch D452	35004452
63 mm	G¼B	Centre back	Stainless steel 304	1,6	-40/0 mbar	KP63Ch D452	35005452
63 mm	G¼B	Centre back	Stainless steel 304	1,6	-60/0 mbar	KP63Ch D452	35006452
63 mm	G¼B	Centre back	Stainless steel 304	1,6	-100/0 mbar	KP63Ch D452	35007452
63 mm	G¼B	Centre back	Stainless steel 304	1,6	-160/0 mbar	KP63Ch D452	35008452
63 mm	G¼B	Centre back	Stainless steel 304	1,6	-250/0 mbar	KP63Ch D452	35009452
63 mm	G¼B	Centre back	Stainless steel 304	1,6	-400/0 mbar	KP63Ch D452	35010452



Blue part no. = in-stock items



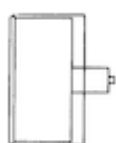
Housing ^ø	Connection	Alignment	Housing	Accuracy class	Range	Type	Part no.
63 mm	G¼B	Centre back	Stainless steel 304	1,6	-600/0 mbar	KP63Ch D452	35011452
63 mm	G¼B	Centre back	Stainless steel 304	1,6	-1,000/0 mbar	KP63Ch D452	35012452
63 mm	G¼B	Centre back	Stainless steel 304	1,6	0/25 mbar	KP63Ch D452	35016452
63 mm	G¼B	Centre back	Stainless steel 304	1,6	0/40 mbar	KP63Ch D452	35017452
63 mm	G¼B	Centre back	Stainless steel 304	1,6	0/60 mbar	KP63Ch D452	35018452
63 mm	G¼B	Centre back	Stainless steel 304	1,6	0/100 mbar	KP63Ch D452	35019452
63 mm	G¼B	Centre back	Stainless steel 304	1,6	0/160 mbar	KP63Ch D452	35020452
63 mm	G¼B	Centre back	Stainless steel 304	1,6	0/250 mbar	KP63Ch D452	35021452
63 mm	G¼B	Centre back	Stainless steel 304	1,6	0/400 mbar	KP63Ch D452	35022452
63 mm	G¼B	Centre back	Stainless steel 304	1,6	0/600 mbar	KP63Ch D452	35023452
63 mm	G¼B	Centre back	Stainless steel 304	1,6	0/1,000 mbar	KP63Ch D452	35024452

Blue part no. = in-stock items

KP100Ch D452

Housing ^ø	Connection	Alignment	Housing	Accuracy class	Range	Type	Part no.
100 mm	G½B	Centre back	Stainless steel 304	1,6	-25/0 mbar	KP100Ch D452	35104452
100 mm	G½B	Centre back	Stainless steel 304	1,6	-40/0 mbar	KP100Ch D452	35105452
100 mm	G½B	Centre back	Stainless steel 304	1,6	-60/0 mbar	KP100Ch D452	35106452
100 mm	G½B	Centre back	Stainless steel 304	1,6	-100/0 mbar	KP100Ch D452	35107452
100 mm	G½B	Centre back	Stainless steel 304	1,6	-160/0 mbar	KP100Ch D452	35108452
100 mm	G½B	Centre back	Stainless steel 304	1,6	-250/0 mbar	KP100Ch D452	35109452
100 mm	G½B	Centre back	Stainless steel 304	1,6	-400/0 mbar	KP100Ch D452	35110452
100 mm	G½B	Centre back	Stainless steel 304	1,6	-600/0 mbar	KP100Ch D452	35111452
100 mm	G½B	Centre back	Stainless steel 304	1,6	-1,000/0 mbar	KP100Ch D452	35112452
100 mm	G½B	Centre back	Stainless steel 304	1,6	0/25 mbar	KP100Ch D452	35116452
100 mm	G½B	Centre back	Stainless steel 304	1,6	0/40 mbar	KP100Ch D452	35117452
100 mm	G½B	Centre back	Stainless steel 304	1,6	0/60 mbar	KP100Ch D452	35118452
100 mm	G½B	Centre back	Stainless steel 304	1,6	0/100 mbar	KP100Ch D452	35119452
100 mm	G½B	Centre back	Stainless steel 304	1,6	0/160 mbar	KP100Ch D452	35120452
100 mm	G½B	Centre back	Stainless steel 304	1,6	0/250 mbar	KP100Ch D452	35121452

Blue part no. = in-stock items





Housing [⊗]	Connection	Alignment	Housing	Accuracy class	Range	Type	Part no.
100 mm	G½B	Centre back	Stainless steel 304	1,6	0/400 mbar	KP100Ch D452	35122452
100 mm	G½B	Centre back	Stainless steel 304	1,6	0/600 mbar	KP100Ch D452	35123452
100 mm	G½B	Centre back	Stainless steel 304	1,6	0/1,000 mbar	KP100Ch D452	35124452

Blue part no. = in-stock items

KP160Ch D452

Housing [⊗]	Connection	Alignment	Housing	Accuracy class	Range	Type	Part no.
160 mm	G½B	Centre back	Stainless steel 304	1,6	-25/0 mbar	KP160Ch D452	35154452
160 mm	G½B	Centre back	Stainless steel 304	1,6	-40/0 mbar	KP160Ch D452	35155452
160 mm	G½B	Centre back	Stainless steel 304	1,6	-60/0 mbar	KP160Ch D452	35156452
160 mm	G½B	Centre back	Stainless steel 304	1,6	-100/0 mbar	KP160Ch D452	35157452
160 mm	G½B	Centre back	Stainless steel 304	1,6	-160/0 mbar	KP160Ch D452	35158452
160 mm	G½B	Centre back	Stainless steel 304	1,6	-250/0 mbar	KP160Ch D452	35159452
160 mm	G½B	Centre back	Stainless steel 304	1,6	-400/0 mbar	KP160Ch D452	35160452
160 mm	G½B	Centre back	Stainless steel 304	1,6	-600/0 mbar	KP160Ch D452	35161452
160 mm	G½B	Centre back	Stainless steel 304	1,6	-1,000/0 mbar	KP160Ch D452	35162452
160 mm	G½B	Centre back	Stainless steel 304	1,6	0/25 mbar	KP160Ch D452	35166452
160 mm	G½B	Centre back	Stainless steel 304	1,6	0/40 mbar	KP160Ch D452	35167452
160 mm	G½B	Centre back	Stainless steel 304	1,6	0/60 mbar	KP160Ch D452	35168452
160 mm	G½B	Centre back	Stainless steel 304	1,6	0/100 mbar	KP160Ch D452	35169452
160 mm	G½B	Centre back	Stainless steel 304	1,6	0/160 mbar	KP160Ch D452	35170452
160 mm	G½B	Centre back	Stainless steel 304	1,6	0/250 mbar	KP160Ch D452	35171452
160 mm	G½B	Centre back	Stainless steel 304	1,6	0/400 mbar	KP160Ch D452	35172452
160 mm	G½B	Centre back	Stainless steel 304	1,6	0/600 mbar	KP160Ch D452	35173452
160 mm	G½B	Centre back	Stainless steel 304	1,6	0/1,000 mbar	KP160Ch D452	35174452

Blue part no. = in-stock items

