



Piston type diaphragm seal KD 21



Benefits

- Piston instead of diaphragm: For extremely rough conditions with abrasive media
- For pressures from 10 bar to 600 bar
- Robust and reliable pressure measurement
- Shock- and vibration-resistant

Application

For mounting to Bourdon tube pressure gauges, pressure transducers or pressure switches. For corrosive, polluted and abrasive suspensions at high pressures. Specially for pressure measurements in waste water, drilling water, sludge, concrete, plaster and minerals.

Versions

Process connection	Instrument connection	Nominal pressure	Minimum range* (in bar) at nominal size				Part no.
			63	100	160	DMU	
G½B	Welded connection	PN 600	10 bar	16 bar	16 bar	10 bar	31420W
G¾B	Welded connection	PN 600	10 bar	16 bar	16 bar	10 bar	31421W
G1B	Welded connection	PN 600	10 bar	16 bar	16 bar	10 bar	31422W
G1½B	Welded connection	PN 600	10 bar	16 bar	16 bar	10 bar	31423W
G2B	Welded connection	PN 600	10 bar	16 bar	16 bar	10 bar	31424W
½-14 NPT	Welded connection	PN 600	10 bar	16 bar	16 bar	10 bar	31425W
¾-14 NPT	Welded connection	PN 600	10 bar	16 bar	16 bar	10 bar	31426W
1-11½ NPT	Welded connection	PN 600	10 bar	16 bar	16 bar	10 bar	31427W
1½-11½ NPT	Welded connection	PN 600	10 bar	16 bar	16 bar	10 bar	31428W
2-11½ NPT	Welded connection	PN 600	10 bar	16 bar	16 bar	10 bar	31429W



Blue part no. = in-stock items



Technical specifications

Process connection

Stainless steel 316 L

Seal

FKM (Viton)

Pressure connection

Stainless steel 316 L

Flush

Instrument connection

Welded connection

Pressure transmission liquid

Paraffin oil (FM 09), FDA-listed

Pressure range

See ordering table

Nominal pressure

PN 600

Accuracy

With pressure gauge Cl. 2.5

With pressure transducer 1.0 % FSO

Can be mounted to

- Bourdon tube pressure gauges NG 50, 63, 80, 100, 160 and RF 130 PG
- Pressure transducers (DMU)
- Pressure switches (DS)

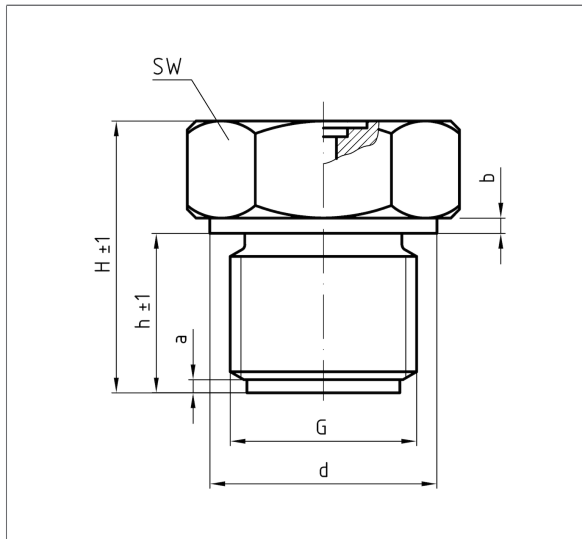
Options

- Adapter for instrument connection G $\frac{1}{4}$ /G $\frac{1}{2}$
- Capillary tube
- Flange connections EN, ASME, JIS
- Other process connections
- Other materials
- Other filling liquids, except for Neobee M20 (FM 10)
- Other measuring ranges



Technical drawings

Type KD 21



G	d	h	H	a	b	SW
G½B	26	17	33,5	3	3	27
G¾B	32	19	34	3	3	32
G1B	39	21	36	3	3	41
G1½B	55	25	48	3	3	55
G2B	68	27	56	3	3	70
½-14 NPT	-	20	33,5	-	-	27
¾-14 NPT	-	-	-	-	-	-
1-11½ NPT	-	24	36	-	-	41
1½-11½ NPT	-	25	45	-	-	55
2-11½ NPT	-	26	50	-	-	70