



Bourdon tube pressure gauges for panel mounting Type D3



Benefits

- Suitable for various standard cut-out dimensions
- For installation in control panels
- For positive and negative pressure ranges

Application

For gaseous and liquid media which are not highly viscous, do not crystallise and do not attack copper alloys. For panel mounting.
! For measuring gas or vapour, observe the table "Selection Criteria as per EN 837-2" (see appendix)!

Technical specifications

Type

D3

Nominal size

72 x 72 – 96 x 96

Accuracy class (EN 837-1/6)

1,6

Ranges (EN 837-1/5)

See ordering table

Application area

Static load: $\frac{3}{4}$ x full scale value

Dynamic load: $\frac{2}{3}$ x full scale value

Short-term: Full scale value

Operating temperature range

Medium: Max. 60 °C

Ambient: -20/+60 °C

Degree of protection

IP 54 (EN 60529)

Standard version

Connection

D311: Brass

D312: Stainless steel 316 Ti/316 L

Centre back

Measuring element

Bourdon tube

D311: Copper alloy

D312: Stainless steel 316 Ti/316 L

≤ 60 bar: "C" type tube

> 60 bar: Helical tube

Movement

Brass

Dial

Aluminium, white

Scaling black

Pointer

Aluminium, black

Housing

Stainless steel 304

Bezel

Aluminium, black

Window

Plastic

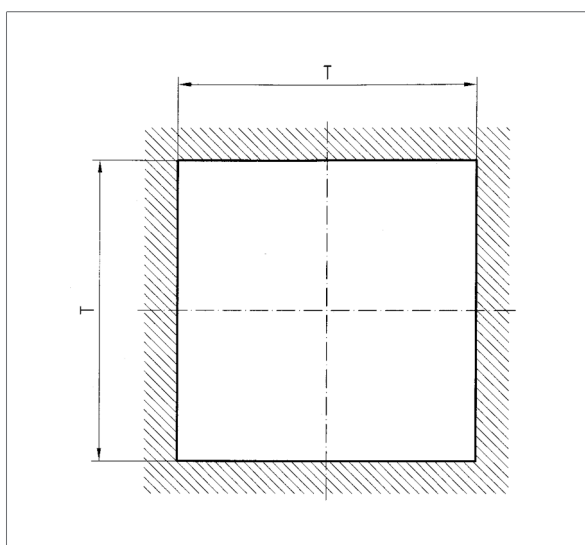


Options

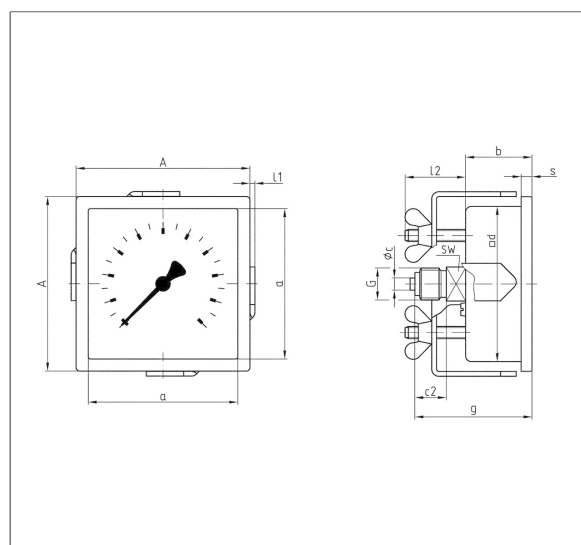
- Zero correction (NG 96)
- Wetted parts stainless steel (NG 96)
- Damping screw
- Reference pointer
- Special scales
- Other process connections

Technical drawings

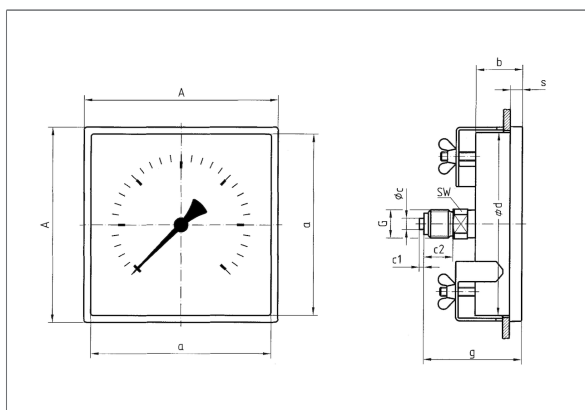
Panel cut out



NG 72 x 72



NG 96 x 96



Dimensions (mm)

NG	A	a	b	∅c	c2	d	G	g	l1	l2	s	SW	T
72 x 72	72	62	27,5	5	2	64	G $\frac{1}{4}$ B	44,5	2	25	4,5	14	66


Dimensions (mm)

NG	A	a	b	∅c	c1	c2	d	G	g	s	SW	T
96 x 96	96	88	32	5	2	13	88	G $\frac{1}{4}$ B	55	6,5	14	90




Versions

RF72 D311

	Nominal size (mm)	Connection	Alignment	Housing	Accuracy class	Range	Type	Part no.
	72 x 72 mm	G $\frac{1}{4}$ B	Centre back	Stainless steel 304	1,6	0/25 bar	RF72 D311	85837311
	72 x 72 mm	G $\frac{1}{4}$ B	Centre back	Stainless steel 304	1,6	0/250 bar	RF72 D311	85842311

Blue part no. = in-stock items

RF96 D311

	Nominal size (mm)	Connection	Alignment	Housing	Accuracy class	Range	Type	Part no.
	96 x 96 mm	G $\frac{1}{4}$ B	Centre back	Stainless steel 304	1,6	-1/0 bar	RF96 D311	85801311
	96 x 96 mm	G $\frac{1}{4}$ B	Centre back	Stainless steel 304	1,6	-1/+0.6 bar	RF96 D311	85802311
	96 x 96 mm	G $\frac{1}{4}$ B	Centre back	Stainless steel 304	1,6	-1/+1.5 bar	RF96 D311	85803311
	96 x 96 mm	G $\frac{1}{4}$ B	Centre back	Stainless steel 304	1,6	-1/+3 bar	RF96 D311	85804311
	96 x 96 mm	G $\frac{1}{4}$ B	Centre back	Stainless steel 304	1,6	-1/+5 bar	RF96 D311	85805311
	96 x 96 mm	G $\frac{1}{4}$ B	Centre back	Stainless steel 304	1,6	-1/+9 bar	RF96 D311	85806311
	96 x 96 mm	G $\frac{1}{4}$ B	Centre back	Stainless steel 304	1,6	-1/+15 bar	RF96 D311	85807311
	96 x 96 mm	G $\frac{1}{4}$ B	Centre back	Stainless steel 304	1,6	0/0.6 bar	RF96 D311	85809311
	96 x 96 mm	G $\frac{1}{4}$ B	Centre back	Stainless steel 304	1,6	0/1 bar	RF96 D311	85810311
	96 x 96 mm	G $\frac{1}{4}$ B	Centre back	Stainless steel 304	1,6	0/1.6 bar	RF96 D311	85811311
	96 x 96 mm	G $\frac{1}{4}$ B	Centre back	Stainless steel 304	1,6	0/2.5 bar	RF96 D311	85812311
	96 x 96 mm	G $\frac{1}{4}$ B	Centre back	Stainless steel 304	1,6	0/4 bar	RF96 D311	85813311
	96 x 96 mm	G $\frac{1}{4}$ B	Centre back	Stainless steel 304	1,6	0/6 bar	RF96 D311	85814311
	96 x 96 mm	G $\frac{1}{4}$ B	Centre back	Stainless steel 304	1,6	0/10 bar	RF96 D311	85815311
	96 x 96 mm	G $\frac{1}{4}$ B	Centre back	Stainless steel 304	1,6	0/16 bar	RF96 D311	85816311
	96 x 96 mm	G $\frac{1}{4}$ B	Centre back	Stainless steel 304	1,6	0/25 bar	RF96 D311	85817311
	96 x 96 mm	G $\frac{1}{4}$ B	Centre back	Stainless steel 304	1,6	0/40 bar	RF96 D311	85818311
	96 x 96 mm	G $\frac{1}{4}$ B	Centre back	Stainless steel 304	1,6	0/60 bar	RF96 D311	85819311
96 x 96 mm	G $\frac{1}{4}$ B	Centre back	Stainless steel 304	1,6	0/100 bar	RF96 D311	85820311	

Blue part no. = in-stock items



Nominal size (mm)	Connection	Alignment	Housing	Accuracy class	Range	Type	Part no.
96 x 96 mm	G¼B	Centre back	Stainless steel 304	1,6	0/160 bar	RF96 D311	85821311
96 x 96 mm	G¼B	Centre back	Stainless steel 304	1,6	0/250 bar	RF96 D311	85822311
96 x 96 mm	G¼B	Centre back	Stainless steel 304	1,6	0/400 bar	RF96 D311	85823311

Blue part no. = in-stock items

RF96 D312

Nominal size (mm)	Connection	Alignment	Housing	Accuracy class	Range	Type	Part no.
96 x 96 mm	G¼B	Centre back	Stainless steel 304	1,6	-1/+0.6 bar	RF96 D312	85802312
96 x 96 mm	G¼B	Centre back	Stainless steel 304	1,6	-1/+1.5 bar	RF96 D312	85803312
96 x 96 mm	G¼B	Centre back	Stainless steel 304	1,6	-1/+3 bar	RF96 D312	85804312
96 x 96 mm	G¼B	Centre back	Stainless steel 304	1,6	-1/+5 bar	RF96 D312	85805312
96 x 96 mm	G¼B	Centre back	Stainless steel 304	1,6	-1/+9 bar	RF96 D312	85806312
96 x 96 mm	G¼B	Centre back	Stainless steel 304	1,6	-1/+15 bar	RF96 D312	85807312
96 x 96 mm	G¼B	Centre back	Stainless steel 304	1,6	0/0.6 bar	RF96 D312	85809312
96 x 96 mm	G¼B	Centre back	Stainless steel 304	1,6	0/1 bar	RF96 D312	85810312
96 x 96 mm	G¼B	Centre back	Stainless steel 304	1,6	0/1.6 bar	RF96 D312	85811312
96 x 96 mm	G¼B	Centre back	Stainless steel 304	1,6	0/2.5 bar	RF96 D312	85812312
96 x 96 mm	G¼B	Centre back	Stainless steel 304	1,6	0/4 bar	RF96 D312	85813312
96 x 96 mm	G¼B	Centre back	Stainless steel 304	1,6	0/6 bar	RF96 D312	85814312
96 x 96 mm	G¼B	Centre back	Stainless steel 304	1,6	0/10 bar	RF96 D312	85815312
96 x 96 mm	G¼B	Centre back	Stainless steel 304	1,6	0/16 bar	RF96 D312	85816312
96 x 96 mm	G¼B	Centre back	Stainless steel 304	1,6	0/25 bar	RF96 D312	85817312
96 x 96 mm	G¼B	Centre back	Stainless steel 304	1,6	0/40 bar	RF96 D312	85818312
96 x 96 mm	G¼B	Centre back	Stainless steel 304	1,6	0/60 bar	RF96 D312	85819312
96 x 96 mm	G¼B	Centre back	Stainless steel 304	1,6	0/100 bar	RF96 D312	85820312
96 x 96 mm	G¼B	Centre back	Stainless steel 304	1,6	0/160 bar	RF96 D312	85821312
96 x 96 mm	G¼B	Centre back	Stainless steel 304	1,6	0/250 bar	RF96 D312	85822312
96 x 96 mm	G¼B	Centre back	Stainless steel 304	1,6	0/400 bar	RF96 D312	85823312

Blue part no. = in-stock items

