



Bourdon tube pressure gauge for ultra-pure gas applications type D3



Benefits

- Wetted parts specially cleaned, flushed and electropolished
- Tightness-tested with helium
- Rear blow-out
- Versatile connection technology
- GOSSTANDART-certified

Application

Designed for highly demanding applications in terms of surface quality and purity of the wetted parts, particularly for measuring ultra-pure gases. ! For measuring gas or vapour, observe the table "Selection Criteria as per EN 837-2" (see appendix)!

Technical specifications

Type

D3

Nominal size

63

Accuracy class (EN 837-1/6)

1,6

Ranges (EN 837-1/5)

See ordering table

Calibration medium

Nitrogen or dried air

Application area

Static load: $\frac{1}{4}$ x full scale value

Dynamic load: $\frac{2}{3}$ x full scale value

Short-term: Full scale value

Operating temperature range

Medium: Max. 150 °C

Ambient: -20/+60 °C

Temperature performance

Indication error when the temperature of the measuring system deviates from the normal temperature of 20 °C:

at rising temperature approx. ± 0.4 %/10 K

falling temperature approx. ± 0.4 %/10 K

of full scale value

Degree of protection

IP 32 (EN 60529)



Standard version

Connection

Stainless steel 316 Ti/316 L, bottom
¼-18 NPT
9/16-18 UNF, with pressure screw
9/16-18 UNF, with union nut

Measuring element

Bourdon tube, stainless steel 316 Ti/316 L
≤ 60 bar: "C" type tube
> 60 bar: Helical tube
Tightness-tested with helium,
Leak rate
≤ 10⁻⁹ mbar x l/s

Wetted parts

Connection, Measuring element
Stainless steel 316 Ti/316 L
Cleaned, flushed with nitrogen, electropolished, surface roughness
≤ R_A 0.6 µm

Movement

Stainless steel

Options

- Surface roughness R_A 0.4 µm
- Housing polished
- Push on bezel polished
- Electrical contacts
- NG 50
- Special scales
- Other process connections

Dial

Aluminium, white
Scaling: Black
Label: Ultra-pure gas

Pointer

Aluminium, black

Housing

Stainless steel 304, with rear blow-out

Push on bezel

Stainless steel 304, bare metal surface

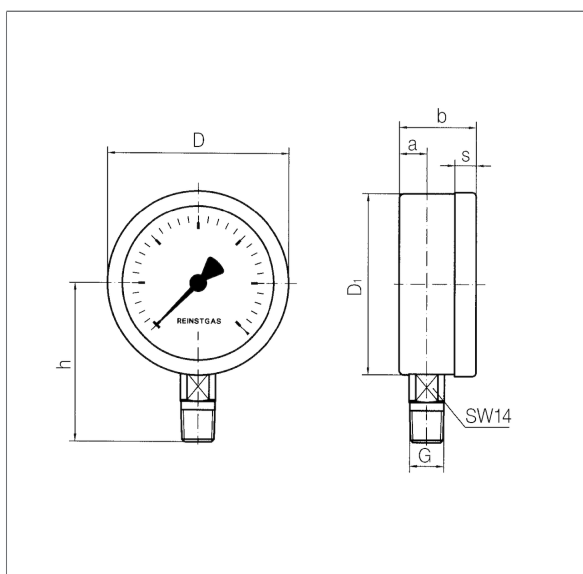
Window

Plastic



Technical drawings

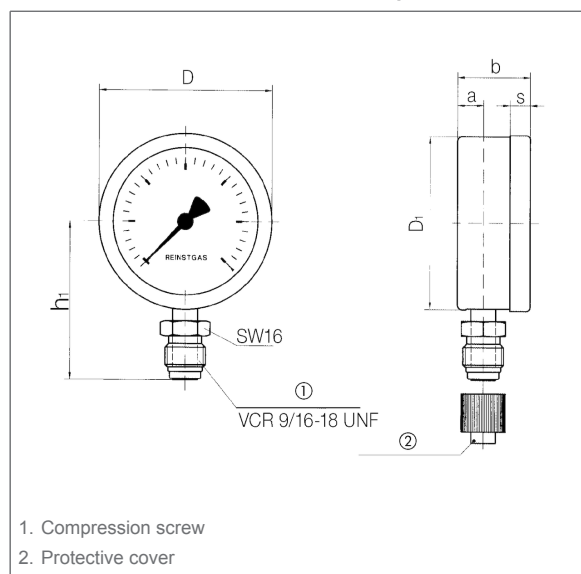
Bottom connection, 1/4-18 NPT



Dimensions (mm)

NG	a	b	D	D1	G	h	s
63	9	28	63	62	1/4-18 NPT	54	8

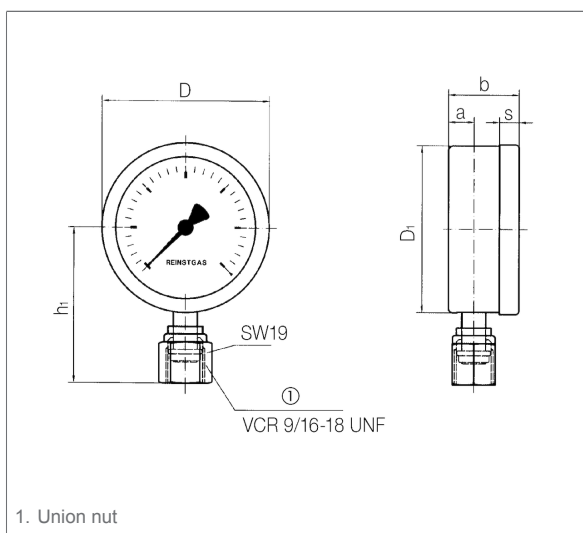
Bottom connection, 9/16-18 UNF, with pressure screw



Dimensions (mm)

NG	a	b	D	D1	h1	s
63	9	28	63	62	57	8

Bottom connection, 9/16-18 UNF, with union nut



Dimensions (mm)

NG	a	b	D	D1	h1	s
63	9	28	63	62	57	8



Versions

RF63RG D302

Housing \varnothing	Connection	Alignment	Housing	Accuracy class	Range	Type	Part no.
63 mm	1/4-18 NPT	Bottom	Stainless steel 304	1,6	-1/0 bar	RF63RG D302	87001302
63 mm	1/4-18 NPT	Bottom	Stainless steel 304	1,6	-1/+0.6 bar	RF63RG D302	87002302
63 mm	1/4-18 NPT	Bottom	Stainless steel 304	1,6	-1/+1.5 bar	RF63RG D302	87003302
63 mm	1/4-18 NPT	Bottom	Stainless steel 304	1,6	-1/+3 bar	RF63RG D302	87004302
63 mm	1/4-18 NPT	Bottom	Stainless steel 304	1,6	-1/+5 bar	RF63RG D302	87005302
63 mm	1/4-18 NPT	Bottom	Stainless steel 304	1,6	-1/+9 bar	RF63RG D302	87006302
63 mm	1/4-18 NPT	Bottom	Stainless steel 304	1,6	-1/+15 bar	RF63RG D302	87007302
63 mm	1/4-18 NPT	Bottom	Stainless steel 304	1,6	0/0.6 bar	RF63RG D302	87009302
63 mm	1/4-18 NPT	Bottom	Stainless steel 304	1,6	0/1 bar	RF63RG D302	87010302
63 mm	1/4-18 NPT	Bottom	Stainless steel 304	1,6	0/1.6 bar	RF63RG D302	87011302
63 mm	1/4-18 NPT	Bottom	Stainless steel 304	1,6	0/2.5 bar	RF63RG D302	87012302
63 mm	1/4-18 NPT	Bottom	Stainless steel 304	1,6	0/4 bar	RF63RG D302	87013302
63 mm	1/4-18 NPT	Bottom	Stainless steel 304	1,6	0/6 bar	RF63RG D302	87014302
63 mm	1/4-18 NPT	Bottom	Stainless steel 304	1,6	0/10 bar	RF63RG D302	87015302
63 mm	1/4-18 NPT	Bottom	Stainless steel 304	1,6	0/16 bar	RF63RG D302	87016302
63 mm	1/4-18 NPT	Bottom	Stainless steel 304	1,6	0/25 bar	RF63RG D302	87017302
63 mm	1/4-18 NPT	Bottom	Stainless steel 304	1,6	0/40 bar	RF63RG D302	87018302
63 mm	1/4-18 NPT	Bottom	Stainless steel 304	1,6	0/60 bar	RF63RG D302	87019302
63 mm	1/4-18 NPT	Bottom	Stainless steel 304	1,6	0/100 bar	RF63RG D302	87020302
63 mm	1/4-18 NPT	Bottom	Stainless steel 304	1,6	0/160 bar	RF63RG D302	87021302
63 mm	1/4-18 NPT	Bottom	Stainless steel 304	1,6	0/250 bar	RF63RG D302	87022302
63 mm	1/4-18 NPT	Bottom	Stainless steel 304	1,6	0/400 bar	RF63RG D302	87023302
63 mm	9/16-18 UNF	Bottom	Stainless steel 304	1,6	-1/0 bar	RF63RG D302	87051302
63 mm	9/16-18 UNF	Bottom	Stainless steel 304	1,6	-1/+0.6 bar	RF63RG D302	87052302
63 mm	9/16-18 UNF	Bottom	Stainless steel 304	1,6	-1/+1.5 bar	RF63RG D302	87053302
63 mm	9/16-18 UNF	Bottom	Stainless steel 304	1,6	-1/+3 bar	RF63RG D302	87054302



Blue part no. = in-stock items



Housing [⊗]	Connection	Alignment	Housing	Accuracy class	Range	Type	Part no.
63 mm	9/16-18 UNF	Bottom	Stainless steel 304	1,6	-1/+5 bar	RF63RG D302	87055302
63 mm	9/16-18 UNF	Bottom	Stainless steel 304	1,6	-1/+9 bar	RF63RG D302	87056302
63 mm	9/16-18 UNF	Bottom	Stainless steel 304	1,6	-1/+15 bar	RF63RG D302	87057302
63 mm	9/16-18 UNF	Bottom	Stainless steel 304	1,6	0/0.6 bar	RF63RG D302	87059302
63 mm	9/16-18 UNF	Bottom	Stainless steel 304	1,6	0/1 bar	RF63RG D302	87060302
63 mm	9/16-18 UNF	Bottom	Stainless steel 304	1,6	0/1.6 bar	RF63RG D302	87061302
63 mm	9/16-18 UNF	Bottom	Stainless steel 304	1,6	0/2.5 bar	RF63RG D302	87062302
63 mm	9/16-18 UNF	Bottom	Stainless steel 304	1,6	0/4 bar	RF63RG D302	87063302
63 mm	9/16-18 UNF	Bottom	Stainless steel 304	1,6	0/6 bar	RF63RG D302	87064302
63 mm	9/16-18 UNF	Bottom	Stainless steel 304	1,6	0/10 bar	RF63RG D302	87065302
63 mm	9/16-18 UNF	Bottom	Stainless steel 304	1,6	0/16 bar	RF63RG D302	87066302
63 mm	9/16-18 UNF	Bottom	Stainless steel 304	1,6	0/25 bar	RF63RG D302	87067302
63 mm	9/16-18 UNF	Bottom	Stainless steel 304	1,6	0/40 bar	RF63RG D302	87068302
63 mm	9/16-18 UNF	Bottom	Stainless steel 304	1,6	0/60 bar	RF63RG D302	87069302
63 mm	9/16-18 UNF	Bottom	Stainless steel 304	1,6	0/100 bar	RF63RG D302	87070302
63 mm	9/16-18 UNF	Bottom	Stainless steel 304	1,6	0/160 bar	RF63RG D302	87071302
63 mm	9/16-18 UNF	Bottom	Stainless steel 304	1,6	0/250 bar	RF63RG D302	87072302
63 mm	9/16-18 UNF	Bottom	Stainless steel 304	1,6	0/400 bar	RF63RG D302	87073302
63 mm	9/16-18 UNF	Bottom	Stainless steel 304	1,6	-1/0 bar	RF63RG D302	87101302
63 mm	9/16-18 UNF	Bottom	Stainless steel 304	1,6	-1/+0.6 bar	RF63RG D302	87102302
63 mm	9/16-18 UNF	Bottom	Stainless steel 304	1,6	-1/+1.5 bar	RF63RG D302	87103302
63 mm	9/16-18 UNF	Bottom	Stainless steel 304	1,6	-1/+3 bar	RF63RG D302	87104302
63 mm	9/16-18 UNF	Bottom	Stainless steel 304	1,6	-1/+5 bar	RF63RG D302	87105302
63 mm	9/16-18 UNF	Bottom	Stainless steel 304	1,6	-1/+9 bar	RF63RG D302	87106302
63 mm	9/16-18 UNF	Bottom	Stainless steel 304	1,6	-1/+15 bar	RF63RG D302	87107302
63 mm	9/16-18 UNF	Bottom	Stainless steel 304	1,6	0/0.6 bar	RF63RG D302	87109302
63 mm	9/16-18 UNF	Bottom	Stainless steel 304	1,6	0/1 bar	RF63RG D302	87110302
63 mm	9/16-18 UNF	Bottom	Stainless steel 304	1,6	0/1.6 bar	RF63RG D302	87111302



Blue part no. = in-stock items



Housing [⊗]	Connection	Alignment	Housing	Accuracy class	Range	Type	Part no.
63 mm	9/16-18 UNF	Bottom	Stainless steel 304	1,6	0/2.5 bar	RF63RG D302	87112302
63 mm	9/16-18 UNF	Bottom	Stainless steel 304	1,6	0/4 bar	RF63RG D302	87113302
63 mm	9/16-18 UNF	Bottom	Stainless steel 304	1,6	0/6 bar	RF63RG D302	87114302
63 mm	9/16-18 UNF	Bottom	Stainless steel 304	1,6	0/10 bar	RF63RG D302	87115302
63 mm	9/16-18 UNF	Bottom	Stainless steel 304	1,6	0/16 bar	RF63RG D302	87116302
63 mm	9/16-18 UNF	Bottom	Stainless steel 304	1,6	0/25 bar	RF63RG D302	87117302
63 mm	9/16-18 UNF	Bottom	Stainless steel 304	1,6	0/40 bar	RF63RG D302	87118302
63 mm	9/16-18 UNF	Bottom	Stainless steel 304	1,6	0/60 bar	RF63RG D302	87119302
63 mm	9/16-18 UNF	Bottom	Stainless steel 304	1,6	0/100 bar	RF63RG D302	87120302
63 mm	9/16-18 UNF	Bottom	Stainless steel 304	1,6	0/160 bar	RF63RG D302	87121302
63 mm	9/16-18 UNF	Bottom	Stainless steel 304	1,6	0/250 bar	RF63RG D302	87122302
63 mm	9/16-18 UNF	Bottom	Stainless steel 304	1,6	0/400 bar	RF63RG D302	87123302

Blue part no. = in-stock items