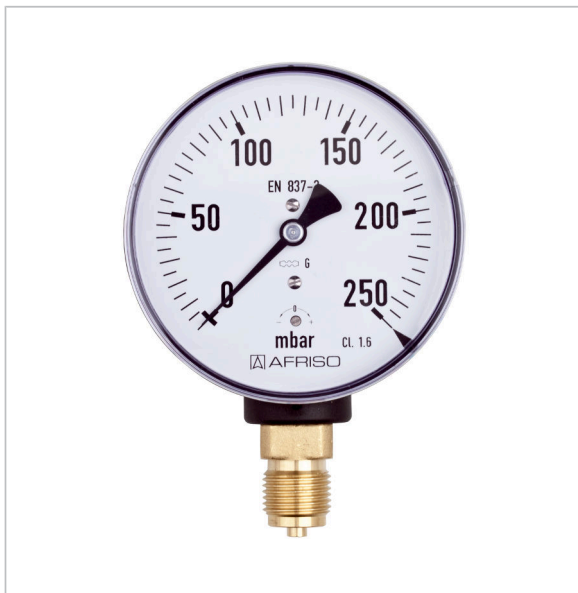




Standard capsule pressure gauges Type D2



Benefits

- With zero correction
- Ideal for low pressure ranges
- GOSSTANDART-certified

Application

For gaseous, dry media which do not attack copper alloys.

! For measuring gas or vapour, observe the table "Selection Criteria as per EN 837-2" (see appendix)!

Technical specifications

Type

D2

Nominal size

100

Accuracy class (EN 837-3/6)

1,6

Ranges (EN 837-3/5)

See ordering table

Application area

Static load: Full scale value
Dynamic load: 0.9 x full scale value
Overload safety: 1.3 x full scale value

Operating temperature range

Medium: Max. 60 °C

Ambient: -20/+60 °C

Temperature performance

Indication error when the temperature of the measuring system deviates from the normal temperature of 20 °C:

at rising temperature approx. $\pm 0.6 \%$ /10 K

falling temperature approx. $\pm 0.6 \%$ /10 K

of full scale value

Degree of protection

NG 100: IP 44 (EN 60529)



Standard version

Connection

Brass, bottom

Measuring element

Capsule element, CuBe alloy

Movement

Brass

Zero correction

From the front

Seal

NBR (Perbunan)

Dial

Aluminium, white

Scaling black

Pointer

Aluminium, black

Housing

Sheet steel, black

Window

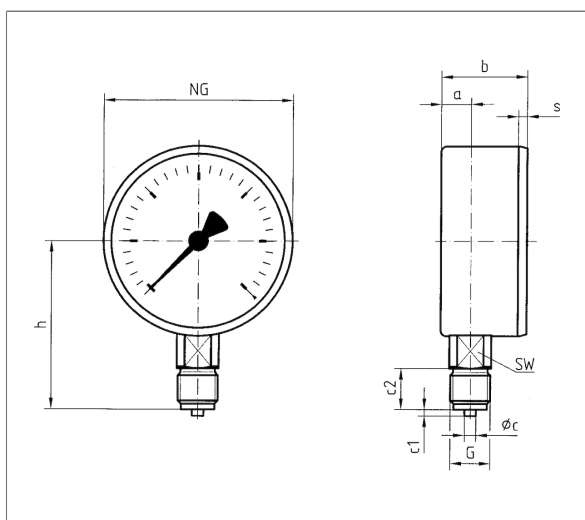
Plastic, clipped in

Options

- Back flange
- 3-hole fixing, panel mounting bezel
- Measuring system stainless steel (NG 100)
- Damping screw
- Reference pointer
- Special scales
- Other process connections

Technical drawings

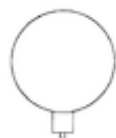
Bottom connection





Versions

KP100 D201



Housing ∅	Connection	Alignment	Housing	Accuracy class	Range	Type	Part no.
100 mm	G½B	Bottom	Sheet steel, black	1,6	0/25 mbar	KP100 D201	35116201
100 mm	G½B	Bottom	Sheet steel, black	1,6	0/40 mbar	KP100 D201	35117201
100 mm	G½B	Bottom	Sheet steel, black	1,6	0/60 mbar	KP100 D201	35118201
100 mm	G½B	Bottom	Sheet steel, black	1,6	0/100 mbar	KP100 D201	35119201
100 mm	G½B	Bottom	Sheet steel, black	1,6	0/160 mbar	KP100 D201	35120201
100 mm	G½B	Bottom	Sheet steel, black	1,6	0/250 mbar	KP100 D201	35121201
100 mm	G½B	Bottom	Sheet steel, black	1,6	0/400 mbar	KP100 D201	35122201
100 mm	G½B	Bottom	Sheet steel, black	1,6	0/600 mbar	KP100 D201	35123201
100 mm	G½B	Bottom	Sheet steel, black	1,6	0/1,000 mbar	KP100 D201	35124201

Blue part no. = in-stock items