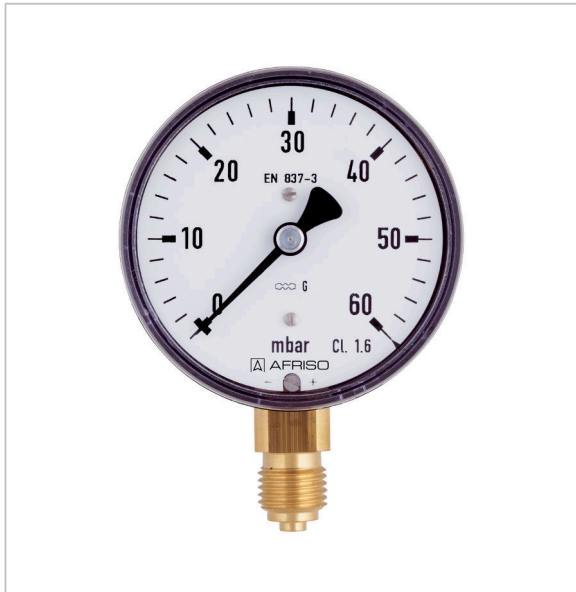




Standard capsule pressure gauges Type D2



Benefits

- With zero correction
- Ideal for low pressure ranges
- GOSSTANDART-certified

Application

For gaseous, dry media which do not attack copper alloys.

! For measuring gas or vapour, observe the table "Selection Criteria as per EN 837-2" (see appendix)!

Technical specifications

Type

D2

Nominal size

63 – 80 – 100

Accuracy class (EN 837-3/6)

1,6

Ranges (EN 837-3/5)

See ordering table

Application area

Static load:	Full scale value
Dynamic load:	0.9 x full scale value
Overload safety:	1.3 x full scale value

Operating temperature range

Medium: Max. 60 °C

Ambient: -20/+60 °C

Temperature performance

Indication error when the temperature of the measuring system deviates from the normal temperature of 20 °C:

at rising temperature approx. $\pm 0.6 \%$ /10 K

falling temperature approx. $\pm 0.6 \%$ /10 K

of full scale value

Degree of protection

NG 63: IP 33 (EN 60529)

NG 80: IP 33 (EN 60529)

NG 100: IP 44 (EN 60529)



Standard version

Connection

Brass, bottom or centre back

Measuring element

Capsule element, CuBe alloy

Movement

Brass

Zero correction

From the front

Seal

NBR (Perbunan)

Dial

Aluminium, white

Scaling black

Pointer

Aluminium, black

Housing

Sheet steel, black

Window

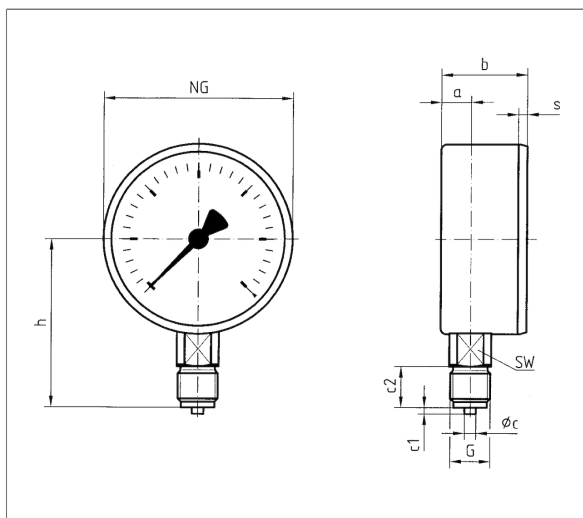
Plastic, clipped in

Options

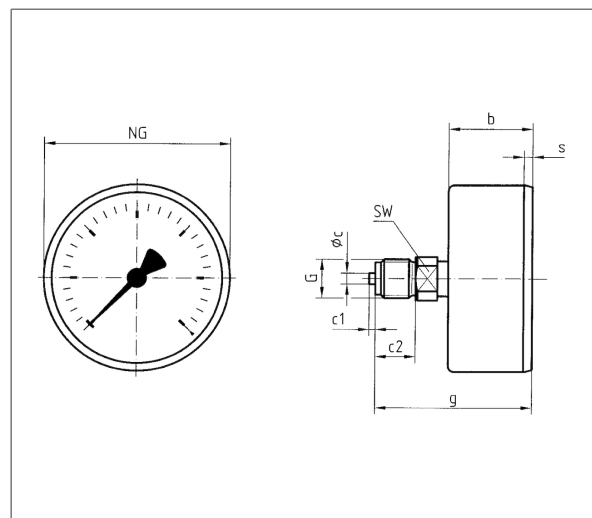
- Back flange
- 3-hole fixing, panel mounting bezel
- Measuring system stainless steel (NG 100)
- Damping screw
- Reference pointer
- Special scales
- Other process connections

Technical drawings

Bottom connection



Centre back connection

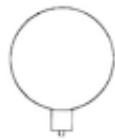




Versions

KP63 D201

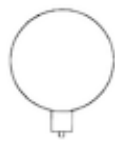
Housing \varnothing	Connection	Alignment	Housing	Accuracy class	Range	Type	Part no.
63 mm	G $\frac{1}{4}$ B	Bottom	Sheet steel, black	1,6	-25/0 mbar	KP63 D201	35004201
63 mm	G $\frac{1}{4}$ B	Bottom	Sheet steel, black	1,6	-40/0 mbar	KP63 D201	35005201
63 mm	G $\frac{1}{4}$ B	Bottom	Sheet steel, black	1,6	-60/0 mbar	KP63 D201	35006201
63 mm	G $\frac{1}{4}$ B	Bottom	Sheet steel, black	1,6	-100/0 mbar	KP63 D201	35007201
63 mm	G $\frac{1}{4}$ B	Bottom	Sheet steel, black	1,6	-160/0 mbar	KP63 D201	35008201
63 mm	G $\frac{1}{4}$ B	Bottom	Sheet steel, black	1,6	-250/0 mbar	KP63 D201	35009201
63 mm	G $\frac{1}{4}$ B	Bottom	Sheet steel, black	1,6	-400/0 mbar	KP63 D201	35010201
63 mm	G $\frac{1}{4}$ B	Bottom	Sheet steel, black	1,6	-600/0 mbar	KP63 D201	35011201
63 mm	G $\frac{1}{4}$ B	Bottom	Sheet steel, black	1,6	-1,000/0 mbar	KP63 D201	35012201
63 mm	G $\frac{1}{4}$ B	Bottom	Sheet steel, black	1,6	0/25 mbar	KP63 D201	35016201
63 mm	G $\frac{1}{4}$ B	Bottom	Sheet steel, black	1,6	0/40 mbar	KP63 D201	35017201
63 mm	G $\frac{1}{4}$ B	Bottom	Sheet steel, black	1,6	0/60 mbar	KP63 D201	35018201
63 mm	G $\frac{1}{4}$ B	Bottom	Sheet steel, black	1,6	0/100 mbar	KP63 D201	35019201
63 mm	G $\frac{1}{4}$ B	Bottom	Sheet steel, black	1,6	0/160 mbar	KP63 D201	35020201
63 mm	G $\frac{1}{4}$ B	Bottom	Sheet steel, black	1,6	0/250 mbar	KP63 D201	35021201
63 mm	G $\frac{1}{4}$ B	Bottom	Sheet steel, black	1,6	0/400 mbar	KP63 D201	35022201
63 mm	G $\frac{1}{4}$ B	Bottom	Sheet steel, black	1,6	0/600 mbar	KP63 D201	35023201
63 mm	G $\frac{1}{4}$ B	Bottom	Sheet steel, black	1,6	0/1,000 mbar	KP63 D201	35024201



Blue part no. = in-stock items

KP80 D201

Housing \varnothing	Connection	Alignment	Housing	Accuracy class	Range	Type	Part no.
80 mm	G $\frac{1}{2}$ B	Bottom	Sheet steel, black	1,6	-25/0 mbar	KP80 D201	35054201
80 mm	G $\frac{1}{2}$ B	Bottom	Sheet steel, black	1,6	-40/0 mbar	KP80 D201	35055201
80 mm	G $\frac{1}{2}$ B	Bottom	Sheet steel, black	1,6	-60/0 mbar	KP80 D201	35056201
80 mm	G $\frac{1}{2}$ B	Bottom	Sheet steel, black	1,6	-100/0 mbar	KP80 D201	35057201
80 mm	G $\frac{1}{2}$ B	Bottom	Sheet steel, black	1,6	-160/0 mbar	KP80 D201	35058201



Blue part no. = in-stock items

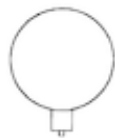


Housing \varnothing	Connection	Alignment	Housing	Accuracy class	Range	Type	Part no.
80 mm	G½B	Bottom	Sheet steel, black	1,6	-250/0 mbar	KP80 D201	35059201
80 mm	G½B	Bottom	Sheet steel, black	1,6	-400/0 mbar	KP80 D201	35060201
80 mm	G½B	Bottom	Sheet steel, black	1,6	-600/0 mbar	KP80 D201	35061201
80 mm	G½B	Bottom	Sheet steel, black	1,6	-1,000/0 mbar	KP80 D201	35062201
80 mm	G½B	Bottom	Sheet steel, black	1,6	0/25 mbar	KP80 D201	35066201
80 mm	G½B	Bottom	Sheet steel, black	1,6	0/40 mbar	KP80 D201	35067201
80 mm	G½B	Bottom	Sheet steel, black	1,6	0/60 mbar	KP80 D201	35068201
80 mm	G½B	Bottom	Sheet steel, black	1,6	0/100 mbar	KP80 D201	35069201
80 mm	G½B	Bottom	Sheet steel, black	1,6	0/160 mbar	KP80 D201	35070201
80 mm	G½B	Bottom	Sheet steel, black	1,6	0/250 mbar	KP80 D201	35071201
80 mm	G½B	Bottom	Sheet steel, black	1,6	0/400 mbar	KP80 D201	35072201
80 mm	G½B	Bottom	Sheet steel, black	1,6	0/600 mbar	KP80 D201	35073201
80 mm	G½B	Bottom	Sheet steel, black	1,6	0/1,000 mbar	KP80 D201	35074201

Blue part no. = in-stock items

KP100 D201

Housing \varnothing	Connection	Alignment	Housing	Accuracy class	Range	Type	Part no.
100 mm	G½B	Bottom	Sheet steel, black	1,6	-25/0 mbar	KP100 D201	35104201
100 mm	G½B	Bottom	Sheet steel, black	1,6	-40/0 mbar	KP100 D201	35105201
100 mm	G½B	Bottom	Sheet steel, black	1,6	-60/0 mbar	KP100 D201	35106201
100 mm	G½B	Bottom	Sheet steel, black	1,6	-100/0 mbar	KP100 D201	35107201
100 mm	G½B	Bottom	Sheet steel, black	1,6	-160/0 mbar	KP100 D201	35108201
100 mm	G½B	Bottom	Sheet steel, black	1,6	-250/0 mbar	KP100 D201	35109201
100 mm	G½B	Bottom	Sheet steel, black	1,6	-400/0 mbar	KP100 D201	35110201
100 mm	G½B	Bottom	Sheet steel, black	1,6	-600/0 mbar	KP100 D201	35111201
100 mm	G½B	Bottom	Sheet steel, black	1,6	-1,000/0 mbar	KP100 D201	35112201
100 mm	G½B	Bottom	Sheet steel, black	1,6	0/25 mbar	KP100 D201	35116201
100 mm	G½B	Bottom	Sheet steel, black	1,6	0/40 mbar	KP100 D201	35117201
100 mm	G½B	Bottom	Sheet steel, black	1,6	0/60 mbar	KP100 D201	35118201
100 mm	G½B	Bottom	Sheet steel, black	1,6	0/100 mbar	KP100 D201	35119201



Blue part no. = in-stock items



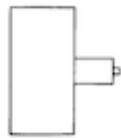
Housing \varnothing	Connection	Alignment	Housing	Accuracy class	Range	Type	Part no.
100 mm	G½B	Bottom	Sheet steel, black	1,6	0/160 mbar	KP100 D201	35120201
100 mm	G½B	Bottom	Sheet steel, black	1,6	0/250 mbar	KP100 D201	35121201
100 mm	G½B	Bottom	Sheet steel, black	1,6	0/400 mbar	KP100 D201	35122201
100 mm	G½B	Bottom	Sheet steel, black	1,6	0/600 mbar	KP100 D201	35123201
100 mm	G½B	Bottom	Sheet steel, black	1,6	0/1,000 mbar	KP100 D201	35124201

Blue part no. = in-stock items

KP63 D211

Housing \varnothing	Connection	Alignment	Housing	Accuracy class	Range	Type	Part no.
63 mm	G¼B	Centre back	Sheet steel, black	1,6	-25/0 mbar	KP63 D211	35004211
63 mm	G¼B	Centre back	Sheet steel, black	1,6	-40/0 mbar	KP63 D211	35005211
63 mm	G¼B	Centre back	Sheet steel, black	1,6	-60/0 mbar	KP63 D211	35006211
63 mm	G¼B	Centre back	Sheet steel, black	1,6	-100/0 mbar	KP63 D211	35007211
63 mm	G¼B	Centre back	Sheet steel, black	1,6	-160/0 mbar	KP63 D211	35008211
63 mm	G¼B	Centre back	Sheet steel, black	1,6	-250/0 mbar	KP63 D211	35009211
63 mm	G¼B	Centre back	Sheet steel, black	1,6	-400/0 mbar	KP63 D211	35010211
63 mm	G¼B	Centre back	Sheet steel, black	1,6	-600/0 mbar	KP63 D211	35011211
63 mm	G¼B	Centre back	Sheet steel, black	1,6	-1,000/0 mbar	KP63 D211	35012211
63 mm	G¼B	Centre back	Sheet steel, black	1,6	0/25 mbar	KP63 D211	35016211
63 mm	G¼B	Centre back	Sheet steel, black	1,6	0/40 mbar	KP63 D211	35017211
63 mm	G¼B	Centre back	Sheet steel, black	1,6	0/60 mbar	KP63 D211	35018211
63 mm	G¼B	Centre back	Sheet steel, black	1,6	0/100 mbar	KP63 D211	35019211
63 mm	G¼B	Centre back	Sheet steel, black	1,6	0/160 mbar	KP63 D211	35020211
63 mm	G¼B	Centre back	Sheet steel, black	1,6	0/250 mbar	KP63 D211	35021211
63 mm	G¼B	Centre back	Sheet steel, black	1,6	0/400 mbar	KP63 D211	35022211
63 mm	G¼B	Centre back	Sheet steel, black	1,6	0/600 mbar	KP63 D211	35023211
63 mm	G¼B	Centre back	Sheet steel, black	1,6	0/1,000 mbar	KP63 D211	35024211

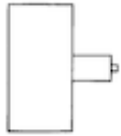
Blue part no. = in-stock items





KP100 D211

Housing \varnothing	Connection	Alignment	Housing	Accuracy class	Range	Type	Part no.
100 mm	G½B	Centre back	Sheet steel, black	1,6	-25/0 mbar	KP100 D211	35104211
100 mm	G½B	Centre back	Sheet steel, black	1,6	-40/0 mbar	KP100 D211	35105211
100 mm	G½B	Centre back	Sheet steel, black	1,6	-60/0 mbar	KP100 D211	35106211
100 mm	G½B	Centre back	Sheet steel, black	1,6	-100/0 mbar	KP100 D211	35107211
100 mm	G½B	Centre back	Sheet steel, black	1,6	-160/0 mbar	KP100 D211	35108211
100 mm	G½B	Centre back	Sheet steel, black	1,6	-250/0 mbar	KP100 D211	35109211
100 mm	G½B	Centre back	Sheet steel, black	1,6	-400/0 mbar	KP100 D211	35110211
100 mm	G½B	Centre back	Sheet steel, black	1,6	-600/0 mbar	KP100 D211	35111211
100 mm	G½B	Centre back	Sheet steel, black	1,6	-1,000/0 mbar	KP100 D211	35112211
100 mm	G½B	Centre back	Sheet steel, black	1,6	0/25 mbar	KP100 D211	35116211
100 mm	G½B	Centre back	Sheet steel, black	1,6	0/40 mbar	KP100 D211	35117211
100 mm	G½B	Centre back	Sheet steel, black	1,6	0/60 mbar	KP100 D211	35118211
100 mm	G½B	Centre back	Sheet steel, black	1,6	0/100 mbar	KP100 D211	35119211
100 mm	G½B	Centre back	Sheet steel, black	1,6	0/160 mbar	KP100 D211	35120211
100 mm	G½B	Centre back	Sheet steel, black	1,6	0/250 mbar	KP100 D211	35121211
100 mm	G½B	Centre back	Sheet steel, black	1,6	0/400 mbar	KP100 D211	35122211
100 mm	G½B	Centre back	Sheet steel, black	1,6	0/600 mbar	KP100 D211	35123211
100 mm	G½B	Centre back	Sheet steel, black	1,6	0/1,000 mbar	KP100 D211	35124211



Blue part no. = in-stock items