

Flue gas temperature controller RTC



Application

Flue gas temperature controller RTC for gas and oil-fired systems

Technical specifications

Nominal size
80

Measuring element
Bimetal helix

Accuracy class
2 (EN 13190)

Standard version

Connection
Stem: Stainless steel 316 L
Plain, with magnetic
ring holder

Mounting position
Centre back

Dial
Aluminium, grey
Scaling black
With green and red reference zones

Pointer
Aluminium, black
With additional maximum pointer, red

Range
0/350 °C

Application area
Full scale value

Housing
Sheet steel, galvanised

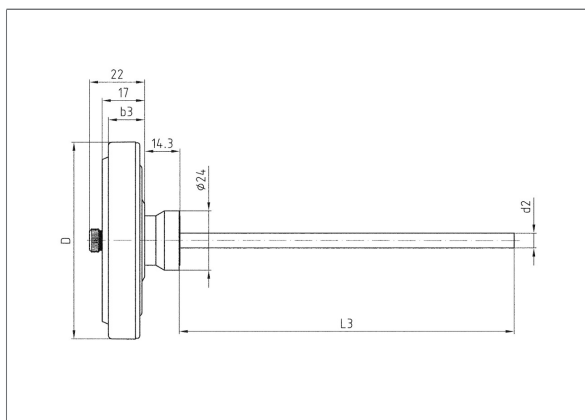
Push on bezel
Sheet steel, nickel-plated

Window
Plastic



Technical drawings

Centre back connection




Dimensions (mm)

NG	b3	D	d2	L3
80	15	80	6	86
80	15	80	6	136

Versions

RTC 80

	Housing ø	Connection	Range	Stem length	Part no.
	80 mm	Plain, with magnetic ring holder	0/350 °C	100 mm	63833
	80 mm	Plain, with magnetic ring holder	0/350 °C	150 mm	63832

Blue part no. = in-stock items