



## Standard Bourdon tube pressure gauges Type D2



### Benefits

- For pneumatic and heating system applications (NG 40 - 50 - 63)
- For domestic technology and mechanical engineering applications (NG 80 - 100 - 160)
- Robust steel housing
- Window with adjustable reference pointer (NG 80 - 100)
- With reference pointer on dial (NG 160)
- Accuracy class 1.6
- Many customised versions available

### Application

For gaseous and liquid media which are not highly viscous, do not crystallise and do not attack copper alloys.  
! For measuring gas or vapour, observe the table "Selection Criteria as per EN 837-2"!

### Technical specifications

**Type**  
D2

**Nominal size**  
40 – 50 – 63 – 80 – 100 – 160

**Accuracy class (EN 837-1/6)**  
1,6

**Ranges (EN 837-1/5)**  
See ordering table

**Application area**  
Static load:  $\frac{3}{4}$  x full scale value  
Dynamic load:  $\frac{3}{4}$  x full scale value  
Short-term: Full scale value

**Operating temperature range**  
Medium: Max. 60 °C  
Ambient: -20/+60 °C

**Temperature performance**  
Indication error when the temperature of the measuring system deviates from the normal temperature of 20 °C:  
at rising temperature approx.  $\pm 0.4 \%$ /10 K  
falling temperature approx.  $\pm 0.4 \%$ /10 K  
of full scale value

**Degree of protection**  
IP 32 (EN 60529)



## Standard version

### Connection

Brass, bottom or centre back

### Measuring element

Bourdon tube, Copper

alloy

≤ 60 bar: "C" type tube

> 60 bar: Helical tube

### Movement

Brass

### Dial

NG 40: Plastic, white

NG 50: Plastic, white

NG 63: Plastic, white

NG 80: Plastic, white

NG 100: Plastic, white

NG 160: Aluminium, white

Scaling

D201: Black

D211: Black

### Scale

D231: Dual scale, bar outer, black – psi inner, red

D251: Dual scale, bar outer, black – psi inner, red

### Pointer

NG 40: Plastic, black

NG 50: Plastic, black

NG 63: Plastic, black

NG 80: Plastic, black

NG 100: Plastic, black

NG 160: Aluminium, black

### Housing

Sheet steel, black

### Push on bezel

NG 160: Sheet steel, black

### Window

NG 40: Plastic, clipped in

NG 50: Plastic, clipped in

NG 63: Plastic, clipped in

NG 80: Plastic, clipped in, with adjustable red reference pointer

NG 100: Plastic, clipped in, with adjustable red reference pointer

NG 160: Instrument glass, with adjustable red reference pointer

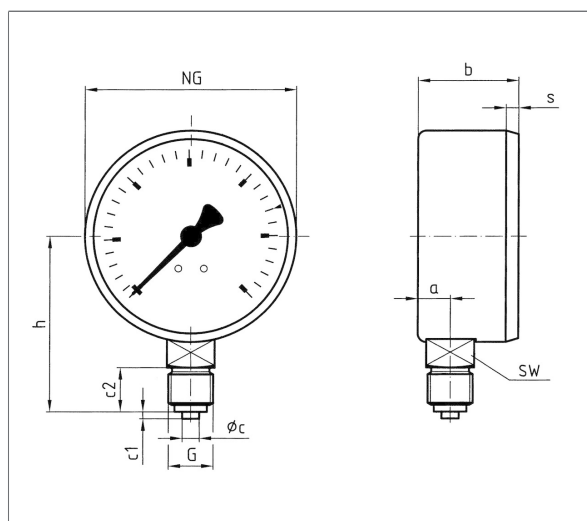
## Options

- Panel mounting bezel
- 3-hole fixing, panel mounting bezel
- Damping screw
- Reference pointer
- Special scales
- Other process connections



## Technical drawings

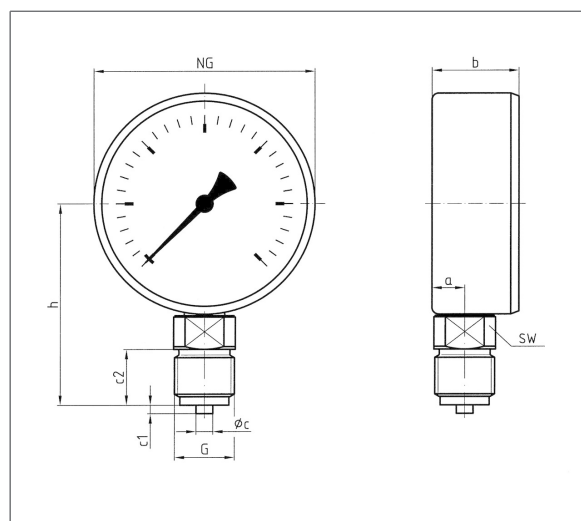
NG 40/50/63 – bottom connection



Dimensions (mm)

NG	a	b	øc	c1	c2	G	h	s	SW
40	8,5	23,5	4	2	10	G $\frac{1}{4}$ B	36	3	12
50	10,5	26	5	2	13	G $\frac{1}{4}$ B	45	3,8	14
63	9,5	29,4	5	2	13	G $\frac{1}{4}$ B	51,5	3,7	14

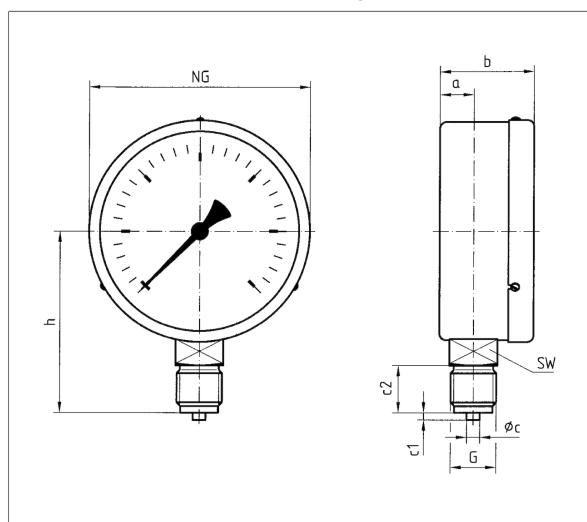
NG 80/100 – bottom connection



Dimensions (mm)

NG	a	b	øc	c1	c2	G	h	SW
80	11,7	31	6	3	20	G $\frac{1}{2}$ B	72	14
100	11	29,5	6	3	20	G $\frac{1}{2}$ B	82	14

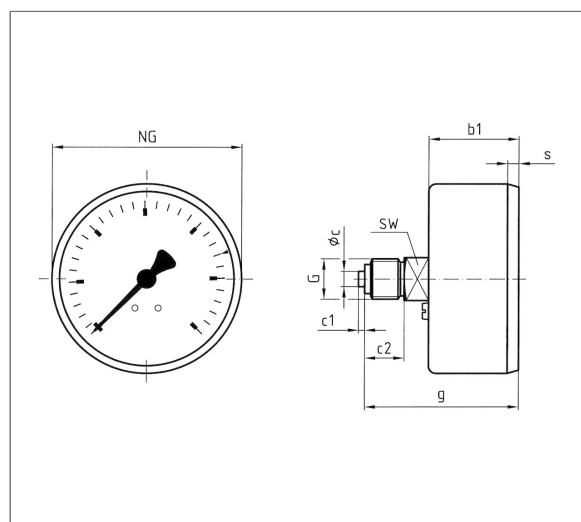
NG 160 – bottom connection, with push on bezel



Dimensions (mm)

NG	a	b	øc	c1	c2	G	h	SW
160	15,5	50	6	3	20	G $\frac{1}{2}$ B	116	22

NG 40/50/63 – centre back connection

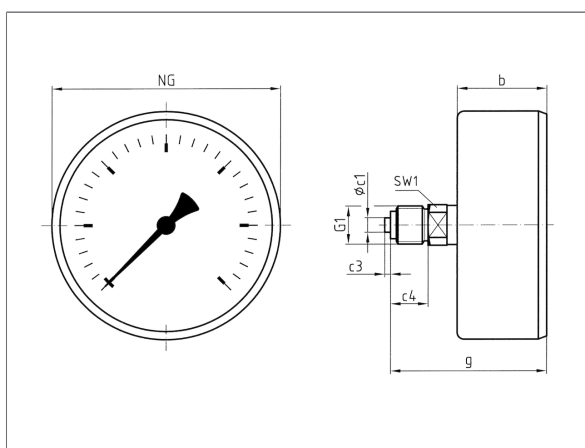


Dimensions (mm)

NG	b1	øc	c1	c2	g	G	s	SW
40	25	4	2	10	41,5	G $\frac{1}{4}$ B	3	12
50	26	5	2	13	47	G $\frac{1}{4}$ B	3,8	14
63	29,4	5	2	13	50,4	G $\frac{1}{4}$ B	3,7	14



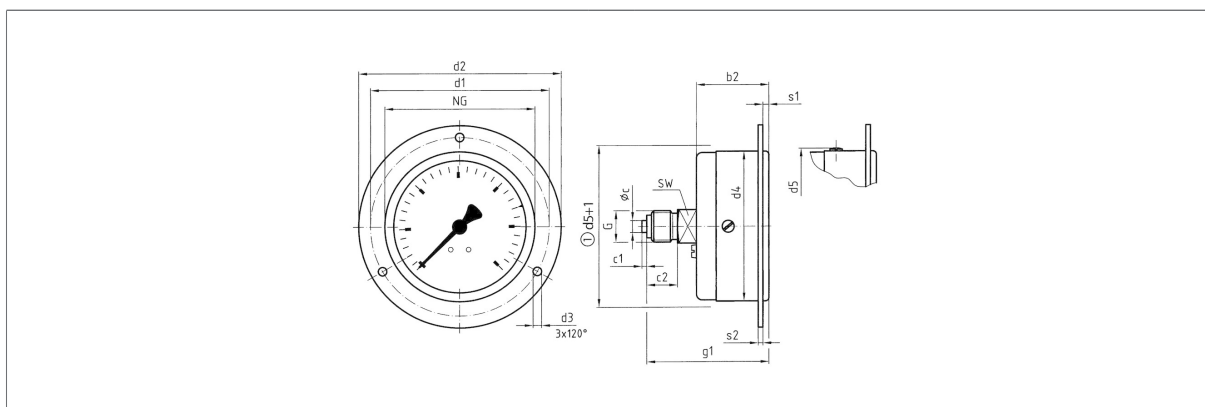
### NG 80/100 – centre back connection



#### Dimensions (mm)

NG	b	∅c1	c3	c4	g	G1	SW1
80	31	6	2	13	54	G $\frac{1}{4}$ B	14
100	29,5	6	2	13	52,5	G $\frac{1}{4}$ B	14

### NG 40/50/63 – centre back connection, 3-hole fixing, panel mounting bezel

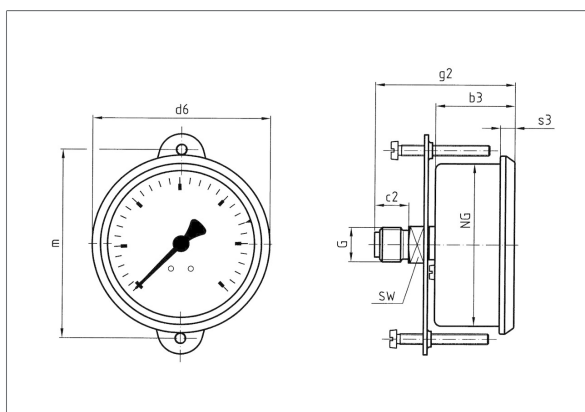


#### Dimensions (mm)

NG	b2	∅c	c1	c2	d1	d2	d3	d4	d5	g1	G	s1	s2	SW
40	26	4	2	10	51	61	3,6	41	45	42,5	G $\frac{1}{8}$ B	2,5	2	12
50	27,5	5	2	13	60	71	3,6	50	54	49	G $\frac{1}{4}$ B	2,5	2	14
63	30,3	5	2	13	75	85	3,6	63	66,5	51,3	G $\frac{1}{4}$ B	2,5	2	14



**NG 40/50/63 – centre back connection, panel mounting  
bezel with clamp fixing**



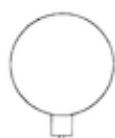
**Dimensions (mm)**

NG	b3	c2	d6	g2	G	m	s3	SW
40	28	10	44	46,6	G $\frac{1}{4}$ B	50	5,2	12
50	30,3	13	54	51,3	G $\frac{1}{4}$ B	45	5,4	14
63	30,3	13	67,8	53,3	G $\frac{1}{4}$ B	51,5	5,6	14

**Versions**

**RF40 D201**

Housing $\varnothing$	Connection	Alignment	Housing	Accuracy class	Range	Type	Part no.
40 mm	G $\frac{1}{4}$ B	Bottom	Sheet steel, black	1,6	-1/0 bar	RF40 D201	<a href="#">85001201</a>
40 mm	G $\frac{1}{4}$ B	Bottom	Sheet steel, black	1,6	0/1 bar	RF40 D201	85010201
40 mm	G $\frac{1}{4}$ B	Bottom	Sheet steel, black	1,6	0/1.6 bar	RF40 D201	85011201
40 mm	G $\frac{1}{4}$ B	Bottom	Sheet steel, black	1,6	0/2.5 bar	RF40 D201	85012201
40 mm	G $\frac{1}{4}$ B	Bottom	Sheet steel, black	1,6	0/4 bar	RF40 D201	<a href="#">85013201</a>
40 mm	G $\frac{1}{4}$ B	Bottom	Sheet steel, black	1,6	0/6 bar	RF40 D201	<a href="#">85014201</a>
40 mm	G $\frac{1}{4}$ B	Bottom	Sheet steel, black	1,6	0/10 bar	RF40 D201	<a href="#">85015201</a>
40 mm	G $\frac{1}{4}$ B	Bottom	Sheet steel, black	1,6	0/16 bar	RF40 D201	<a href="#">85016201</a>
40 mm	G $\frac{1}{4}$ B	Bottom	Sheet steel, black	1,6	0/25 bar	RF40 D201	<a href="#">85017201</a>
40 mm	G $\frac{1}{4}$ B	Bottom	Sheet steel, black	1,6	0/40 bar	RF40 D201	85018201
40 mm	G $\frac{1}{4}$ B	Bottom	Sheet steel, black	1,6	0/60 bar	RF40 D201	85019201
40 mm	G $\frac{1}{4}$ B	Bottom	Sheet steel, black	1,6	0/100 bar	RF40 D201	85020201
40 mm	G $\frac{1}{4}$ B	Bottom	Sheet steel, black	1,6	0/160 bar	RF40 D201	85021201
40 mm	G $\frac{1}{4}$ B	Bottom	Sheet steel, black	1,6	0/250 bar	RF40 D201	85022201

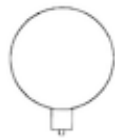


Blue part no. = in-stock items



**RF50 D201**

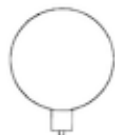
Housing $\varnothing$	Connection	Alignment	Housing	Accuracy class	Range	Type	Part no.
50 mm	G $\frac{1}{4}$ B	Bottom	Sheet steel, black	1,6	-1/0 bar	RF50 D201	85051201
50 mm	G $\frac{1}{4}$ B	Bottom	Sheet steel, black	1,6	0/1 bar	RF50 D201	85060201
50 mm	G $\frac{1}{4}$ B	Bottom	Sheet steel, black	1,6	0/1.6 bar	RF50 D201	85061201
50 mm	G $\frac{1}{4}$ B	Bottom	Sheet steel, black	1,6	0/2.5 bar	RF50 D201	85062201
50 mm	G $\frac{1}{4}$ B	Bottom	Sheet steel, black	1,6	0/4 bar	RF50 D201	85063201
50 mm	G $\frac{1}{4}$ B	Bottom	Sheet steel, black	1,6	0/6 bar	RF50 D201	85064201
50 mm	G $\frac{1}{4}$ B	Bottom	Sheet steel, black	1,6	0/10 bar	RF50 D201	85065201
50 mm	G $\frac{1}{4}$ B	Bottom	Sheet steel, black	1,6	0/16 bar	RF50 D201	85066201
50 mm	G $\frac{1}{4}$ B	Bottom	Sheet steel, black	1,6	0/25 bar	RF50 D201	85067201
50 mm	G $\frac{1}{4}$ B	Bottom	Sheet steel, black	1,6	0/40 bar	RF50 D201	85068201
50 mm	G $\frac{1}{4}$ B	Bottom	Sheet steel, black	1,6	0/60 bar	RF50 D201	85069201
50 mm	G $\frac{1}{4}$ B	Bottom	Sheet steel, black	1,6	0/100 bar	RF50 D201	85070201
50 mm	G $\frac{1}{4}$ B	Bottom	Sheet steel, black	1,6	0/160 bar	RF50 D201	85071201
50 mm	G $\frac{1}{4}$ B	Bottom	Sheet steel, black	1,6	0/250 bar	RF50 D201	85072201
50 mm	G $\frac{1}{4}$ B	Bottom	Sheet steel, black	1,6	0/400 bar	RF50 D201	85073201



Blue part no. = in-stock items

**RF63 D201**

Housing $\varnothing$	Connection	Alignment	Housing	Accuracy class	Range	Type	Part no.
63 mm	G $\frac{1}{4}$ B	Bottom	Sheet steel, black	1,6	-1/0 bar	RF63 D201	85101201
63 mm	G $\frac{1}{4}$ B	Bottom	Sheet steel, black	1,6	-1/+0.6 bar	RF63 D201	85102201
63 mm	G $\frac{1}{4}$ B	Bottom	Sheet steel, black	1,6	-1/+1.5 bar	RF63 D201	85103201
63 mm	G $\frac{1}{4}$ B	Bottom	Sheet steel, black	1,6	-1/+3 bar	RF63 D201	85104201
63 mm	G $\frac{1}{4}$ B	Bottom	Sheet steel, black	1,6	-1/+5 bar	RF63 D201	85105201
63 mm	G $\frac{1}{4}$ B	Bottom	Sheet steel, black	1,6	-1/+9 bar	RF63 D201	85106201
63 mm	G $\frac{1}{4}$ B	Bottom	Sheet steel, black	1,6	-1/+15 bar	RF63 D201	85107201
63 mm	G $\frac{1}{4}$ B	Bottom	Sheet steel, black	1,6	0/0.6 bar	RF63 D201	85109201
63 mm	G $\frac{1}{4}$ B	Bottom	Sheet steel, black	1,6	0/1 bar	RF63 D201	85110201
63 mm	G $\frac{1}{4}$ B	Bottom	Sheet steel, black	1,6	0/1.6 bar	RF63 D201	85111201



Blue part no. = in-stock items



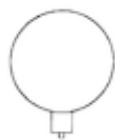
Housing $\varnothing$	Connection	Alignment	Housing	Accuracy class	Range	Type	Part no.
63 mm	G $\frac{1}{4}$ B	Bottom	Sheet steel, black	1,6	0/2.5 bar	RF63 D201	<a href="#">85112201</a>
63 mm	G $\frac{1}{4}$ B	Bottom	Sheet steel, black	1,6	0/4 bar	RF63 D201	<a href="#">85113201</a>
63 mm	G $\frac{1}{4}$ B	Bottom	Sheet steel, black	1,6	0/6 bar	RF63 D201	<a href="#">85114201</a>
63 mm	G $\frac{1}{4}$ B	Bottom	Sheet steel, black	1,6	0/10 bar	RF63 D201	<a href="#">85115201</a>
63 mm	G $\frac{1}{4}$ B	Bottom	Sheet steel, black	1,6	0/16 bar	RF63 D201	<a href="#">85116201</a>
63 mm	G $\frac{1}{4}$ B	Bottom	Sheet steel, black	1,6	0/25 bar	RF63 D201	<a href="#">85117201</a>
63 mm	G $\frac{1}{4}$ B	Bottom	Sheet steel, black	1,6	0/40 bar	RF63 D201	<a href="#">85118201</a>
63 mm	G $\frac{1}{4}$ B	Bottom	Sheet steel, black	1,6	0/60 bar	RF63 D201	85119201
63 mm	G $\frac{1}{4}$ B	Bottom	Sheet steel, black	1,6	0/100 bar	RF63 D201	85120201
63 mm	G $\frac{1}{4}$ B	Bottom	Sheet steel, black	1,6	0/160 bar	RF63 D201	85121201
63 mm	G $\frac{1}{4}$ B	Bottom	Sheet steel, black	1,6	0/250 bar	RF63 D201	85122201
63 mm	G $\frac{1}{4}$ B	Bottom	Sheet steel, black	1,6	0/400 bar	RF63 D201	85123201

Blue part no. = in-stock items

#### RF80 D201

Housing $\varnothing$	Connection	Alignment	Housing	Accuracy class	Range	Type	Part no.
80 mm	G $\frac{1}{2}$ B	Bottom	Sheet steel, black	1,6	-1/0 bar	RF80 D201	<a href="#">85151201</a>
80 mm	G $\frac{1}{2}$ B	Bottom	Sheet steel, black	1,6	-1/+0.6 bar	RF80 D201	85152201
80 mm	G $\frac{1}{2}$ B	Bottom	Sheet steel, black	1,6	-1/+1.5 bar	RF80 D201	85153201
80 mm	G $\frac{1}{2}$ B	Bottom	Sheet steel, black	1,6	-1/+3 bar	RF80 D201	85154201
80 mm	G $\frac{1}{2}$ B	Bottom	Sheet steel, black	1,6	-1/+5 bar	RF80 D201	<a href="#">85155201</a>
80 mm	G $\frac{1}{2}$ B	Bottom	Sheet steel, black	1,6	-1/+9 bar	RF80 D201	85156201
80 mm	G $\frac{1}{2}$ B	Bottom	Sheet steel, black	1,6	-1/+15 bar	RF80 D201	85157201
80 mm	G $\frac{1}{2}$ B	Bottom	Sheet steel, black	1,6	0/0.6 bar	RF80 D201	<a href="#">85159201</a>
80 mm	G $\frac{1}{2}$ B	Bottom	Sheet steel, black	1,6	0/1 bar	RF80 D201	<a href="#">85160201</a>
80 mm	G $\frac{1}{2}$ B	Bottom	Sheet steel, black	1,6	0/1.6 bar	RF80 D201	<a href="#">85161201</a>
80 mm	G $\frac{1}{2}$ B	Bottom	Sheet steel, black	1,6	0/2.5 bar	RF80 D201	<a href="#">85162201</a>
80 mm	G $\frac{1}{2}$ B	Bottom	Sheet steel, black	1,6	0/4 bar	RF80 D201	<a href="#">85163201</a>
80 mm	G $\frac{1}{2}$ B	Bottom	Sheet steel, black	1,6	0/6 bar	RF80 D201	<a href="#">85164201</a>
80 mm	G $\frac{1}{2}$ B	Bottom	Sheet steel, black	1,6	0/10 bar	RF80 D201	<a href="#">85165201</a>

Blue part no. = in-stock items





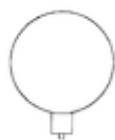
Housing <sup>⊙</sup>	Connection	Alignment	Housing	Accuracy class	Range	Type	Part no.
80 mm	G½B	Bottom	Sheet steel, black	1,6	0/16 bar	RF80 D201	<a href="#">85166201</a>
80 mm	G½B	Bottom	Sheet steel, black	1,6	0/25 bar	RF80 D201	<a href="#">85167201</a>
80 mm	G½B	Bottom	Sheet steel, black	1,6	0/40 bar	RF80 D201	<a href="#">85168201</a>
80 mm	G½B	Bottom	Sheet steel, black	1,6	0/60 bar	RF80 D201	<a href="#">85169201</a>
80 mm	G½B	Bottom	Sheet steel, black	1,6	0/100 bar	RF80 D201	85170201
80 mm	G½B	Bottom	Sheet steel, black	1,6	0/160 bar	RF80 D201	85171201
80 mm	G½B	Bottom	Sheet steel, black	1,6	0/250 bar	RF80 D201	85172201
80 mm	G½B	Bottom	Sheet steel, black	1,6	0/400 bar	RF80 D201	85173201

Blue part no. = in-stock items

### RF100 D201

Housing <sup>⊙</sup>	Connection	Alignment	Housing	Accuracy class	Range	Type	Part no.
100 mm	G½B	Bottom	Sheet steel, black	1,6	-1/0 bar	RF100 D201	<a href="#">85201201</a>
100 mm	G½B	Bottom	Sheet steel, black	1,6	-1/+0.6 bar	RF100 D201	<a href="#">85202201</a>
100 mm	G½B	Bottom	Sheet steel, black	1,6	-1/+1.5 bar	RF100 D201	<a href="#">85203201</a>
100 mm	G½B	Bottom	Sheet steel, black	1,6	-1/+3 bar	RF100 D201	<a href="#">85204201</a>
100 mm	G½B	Bottom	Sheet steel, black	1,6	-1/+5 bar	RF100 D201	<a href="#">85205201</a>
100 mm	G½B	Bottom	Sheet steel, black	1,6	-1/+9 bar	RF100 D201	<a href="#">85206201</a>
100 mm	G½B	Bottom	Sheet steel, black	1,6	-1/+15 bar	RF100 D201	<a href="#">85207201</a>
100 mm	G½B	Bottom	Sheet steel, black	1,6	0/0.6 bar	RF100 D201	<a href="#">85209201</a>
100 mm	G½B	Bottom	Sheet steel, black	1,6	0/1 bar	RF100 D201	<a href="#">85210201</a>
100 mm	G½B	Bottom	Sheet steel, black	1,6	0/1.6 bar	RF100 D201	<a href="#">85211201</a>
100 mm	G½B	Bottom	Sheet steel, black	1,6	0/2.5 bar	RF100 D201	<a href="#">85212201</a>
100 mm	G½B	Bottom	Sheet steel, black	1,6	0/4 bar	RF100 D201	<a href="#">85213201</a>
100 mm	G½B	Bottom	Sheet steel, black	1,6	0/6 bar	RF100 D201	<a href="#">85214201</a>
100 mm	G½B	Bottom	Sheet steel, black	1,6	0/10 bar	RF100 D201	<a href="#">85215201</a>
100 mm	G½B	Bottom	Sheet steel, black	1,6	0/16 bar	RF100 D201	<a href="#">85216201</a>
100 mm	G½B	Bottom	Sheet steel, black	1,6	0/25 bar	RF100 D201	<a href="#">85217201</a>
100 mm	G½B	Bottom	Sheet steel, black	1,6	0/40 bar	RF100 D201	<a href="#">85218201</a>
100 mm	G½B	Bottom	Sheet steel, black	1,6	0/60 bar	RF100 D201	<a href="#">85219201</a>

Blue part no. = in-stock items







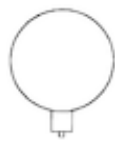
Housing $\varnothing$	Connection	Alignment	Housing	Accuracy class	Range	Type	Part no.
100 mm	G½B	Bottom	Sheet steel, black	1,6	0/100 bar	RF100 D201	85220201
100 mm	G½B	Bottom	Sheet steel, black	1,6	0/160 bar	RF100 D201	85221201
100 mm	G½B	Bottom	Sheet steel, black	1,6	0/250 bar	RF100 D201	85222201
100 mm	G½B	Bottom	Sheet steel, black	1,6	0/400 bar	RF100 D201	85223201

Blue part no. = in-stock items

### RF160 D201

Housing $\varnothing$	Connection	Alignment	Housing	Accuracy class	Range	Type	Part no.
160 mm	G½B	Bottom	Sheet steel, black	1,6	-1/0 bar	RF160 D201	85251201
160 mm	G½B	Bottom	Sheet steel, black	1,6	-1/+0.6 bar	RF160 D201	85252201
160 mm	G½B	Bottom	Sheet steel, black	1,6	-1/+1.5 bar	RF160 D201	85253201
160 mm	G½B	Bottom	Sheet steel, black	1,6	-1/+3 bar	RF160 D201	85254201
160 mm	G½B	Bottom	Sheet steel, black	1,6	-1/+5 bar	RF160 D201	85255201
160 mm	G½B	Bottom	Sheet steel, black	1,6	-1/+9 bar	RF160 D201	85256201
160 mm	G½B	Bottom	Sheet steel, black	1,6	-1/+15 bar	RF160 D201	85257201
160 mm	G½B	Bottom	Sheet steel, black	1,6	0/0.6 bar	RF160 D201	85259201
160 mm	G½B	Bottom	Sheet steel, black	1,6	0/1 bar	RF160 D201	85260201
160 mm	G½B	Bottom	Sheet steel, black	1,6	0/1.6 bar	RF160 D201	85261201
160 mm	G½B	Bottom	Sheet steel, black	1,6	0/2.5 bar	RF160 D201	85262201
160 mm	G½B	Bottom	Sheet steel, black	1,6	0/4 bar	RF160 D201	85263201
160 mm	G½B	Bottom	Sheet steel, black	1,6	0/6 bar	RF160 D201	85264201
160 mm	G½B	Bottom	Sheet steel, black	1,6	0/10 bar	RF160 D201	85265201
160 mm	G½B	Bottom	Sheet steel, black	1,6	0/16 bar	RF160 D201	85266201
160 mm	G½B	Bottom	Sheet steel, black	1,6	0/25 bar	RF160 D201	85267201
160 mm	G½B	Bottom	Sheet steel, black	1,6	0/40 bar	RF160 D201	85268201

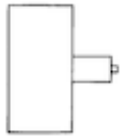
Blue part no. = in-stock items





**RF40 D211**

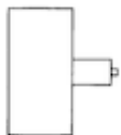
Housing $\varnothing$	Connection	Alignment	Housing	Accuracy class	Range	Type	Part no.
40 mm	G $\frac{1}{4}$ B	Centre back	Sheet steel, black	1,6	-1/0 bar	RF40 D211	<a href="#">85001211</a>
40 mm	G $\frac{1}{4}$ B	Centre back	Sheet steel, black	1,6	0/1 bar	RF40 D211	<a href="#">85010211</a>
40 mm	G $\frac{1}{4}$ B	Centre back	Sheet steel, black	1,6	0/1.6 bar	RF40 D211	85011211
40 mm	G $\frac{1}{4}$ B	Centre back	Sheet steel, black	1,6	0/2.5 bar	RF40 D211	85012211
40 mm	G $\frac{1}{4}$ B	Centre back	Sheet steel, black	1,6	0/4 bar	RF40 D211	<a href="#">85013211</a>
40 mm	G $\frac{1}{4}$ B	Centre back	Sheet steel, black	1,6	0/6 bar	RF40 D211	<a href="#">85014211</a>
40 mm	G $\frac{1}{4}$ B	Centre back	Sheet steel, black	1,6	0/10 bar	RF40 D211	<a href="#">85015211</a>
40 mm	G $\frac{1}{4}$ B	Centre back	Sheet steel, black	1,6	0/16 bar	RF40 D211	<a href="#">85016211</a>
40 mm	G $\frac{1}{4}$ B	Centre back	Sheet steel, black	1,6	0/25 bar	RF40 D211	<a href="#">85017211</a>
40 mm	G $\frac{1}{4}$ B	Centre back	Sheet steel, black	1,6	0/40 bar	RF40 D211	85018211
40 mm	G $\frac{1}{4}$ B	Centre back	Sheet steel, black	1,6	0/60 bar	RF40 D211	85019211
40 mm	G $\frac{1}{4}$ B	Centre back	Sheet steel, black	1,6	0/100 bar	RF40 D211	85020211
40 mm	G $\frac{1}{4}$ B	Centre back	Sheet steel, black	1,6	0/160 bar	RF40 D211	85021211
40 mm	G $\frac{1}{4}$ B	Centre back	Sheet steel, black	1,6	0/250 bar	RF40 D211	85022211



Blue part no. = in-stock items

**RF50 D211**

Housing $\varnothing$	Connection	Alignment	Housing	Accuracy class	Range	Type	Part no.
50 mm	G $\frac{1}{4}$ B	Centre back	Sheet steel, black	1,6	-1/0 bar	RF50 D211	<a href="#">85051211</a>
50 mm	G $\frac{1}{4}$ B	Centre back	Sheet steel, black	1,6	0/1 bar	RF50 D211	85060211
50 mm	G $\frac{1}{4}$ B	Centre back	Sheet steel, black	1,6	0/1.6 bar	RF50 D211	85061211
50 mm	G $\frac{1}{4}$ B	Centre back	Sheet steel, black	1,6	0/2.5 bar	RF50 D211	85062211
50 mm	G $\frac{1}{4}$ B	Centre back	Sheet steel, black	1,6	0/4 bar	RF50 D211	<a href="#">85063211</a>
50 mm	G $\frac{1}{4}$ B	Centre back	Sheet steel, black	1,6	0/6 bar	RF50 D211	<a href="#">85064211</a>
50 mm	G $\frac{1}{4}$ B	Centre back	Sheet steel, black	1,6	0/10 bar	RF50 D211	<a href="#">85065211</a>
50 mm	G $\frac{1}{4}$ B	Centre back	Sheet steel, black	1,6	0/16 bar	RF50 D211	<a href="#">85066211</a>
50 mm	G $\frac{1}{4}$ B	Centre back	Sheet steel, black	1,6	0/25 bar	RF50 D211	<a href="#">85067211</a>
50 mm	G $\frac{1}{4}$ B	Centre back	Sheet steel, black	1,6	0/40 bar	RF50 D211	85068211
50 mm	G $\frac{1}{4}$ B	Centre back	Sheet steel, black	1,6	0/60 bar	RF50 D211	85069211



Blue part no. = in-stock items



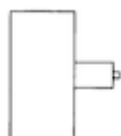
Housing $\varnothing$	Connection	Alignment	Housing	Accuracy class	Range	Type	Part no.
50 mm	G $\frac{1}{4}$ B	Centre back	Sheet steel, black	1,6	0/100 bar	RF50 D211	85070211
50 mm	G $\frac{1}{4}$ B	Centre back	Sheet steel, black	1,6	0/160 bar	RF50 D211	85071211
50 mm	G $\frac{1}{4}$ B	Centre back	Sheet steel, black	1,6	0/250 bar	RF50 D211	85072211
50 mm	G $\frac{1}{4}$ B	Centre back	Sheet steel, black	1,6	0/400 bar	RF50 D211	85073211

Blue part no. = in-stock items

### RF63 D211

Housing $\varnothing$	Connection	Alignment	Housing	Accuracy class	Range	Type	Part no.
63 mm	G $\frac{1}{4}$ B	Centre back	Sheet steel, black	1,6	-1/0 bar	RF63 D211	85101211
63 mm	G $\frac{1}{4}$ B	Centre back	Sheet steel, black	1,6	-1/+0.6 bar	RF63 D211	85102211
63 mm	G $\frac{1}{4}$ B	Centre back	Sheet steel, black	1,6	-1/+1.5 bar	RF63 D211	85103211
63 mm	G $\frac{1}{4}$ B	Centre back	Sheet steel, black	1,6	-1/+3 bar	RF63 D211	85104211
63 mm	G $\frac{1}{4}$ B	Centre back	Sheet steel, black	1,6	-1/+5 bar	RF63 D211	85105211
63 mm	G $\frac{1}{4}$ B	Centre back	Sheet steel, black	1,6	-1/+9 bar	RF63 D211	85106211
63 mm	G $\frac{1}{4}$ B	Centre back	Sheet steel, black	1,6	-1/+15 bar	RF63 D211	85107211
63 mm	G $\frac{1}{4}$ B	Centre back	Sheet steel, black	1,6	0/0.6 bar	RF63 D211	85109211
63 mm	G $\frac{1}{4}$ B	Centre back	Sheet steel, black	1,6	0/1 bar	RF63 D211	85110211
63 mm	G $\frac{1}{4}$ B	Centre back	Sheet steel, black	1,6	0/1.6 bar	RF63 D211	85111211
63 mm	G $\frac{1}{4}$ B	Centre back	Sheet steel, black	1,6	0/2.5 bar	RF63 D211	85112211
63 mm	G $\frac{1}{4}$ B	Centre back	Sheet steel, black	1,6	0/4 bar	RF63 D211	85113211
63 mm	G $\frac{1}{4}$ B	Centre back	Sheet steel, black	1,6	0/6 bar	RF63 D211	85114211
63 mm	G $\frac{1}{4}$ B	Centre back	Sheet steel, black	1,6	0/10 bar	RF63 D211	85115211
63 mm	G $\frac{1}{4}$ B	Centre back	Sheet steel, black	1,6	0/16 bar	RF63 D211	85116211
63 mm	G $\frac{1}{4}$ B	Centre back	Sheet steel, black	1,6	0/25 bar	RF63 D211	85117211
63 mm	G $\frac{1}{4}$ B	Centre back	Sheet steel, black	1,6	0/40 bar	RF63 D211	85118211
63 mm	G $\frac{1}{4}$ B	Centre back	Sheet steel, black	1,6	0/60 bar	RF63 D211	85119211
63 mm	G $\frac{1}{4}$ B	Centre back	Sheet steel, black	1,6	0/100 bar	RF63 D211	85120211
63 mm	G $\frac{1}{4}$ B	Centre back	Sheet steel, black	1,6	0/160 bar	RF63 D211	85121211
63 mm	G $\frac{1}{4}$ B	Centre back	Sheet steel, black	1,6	0/250 bar	RF63 D211	85122211
63 mm	G $\frac{1}{4}$ B	Centre back	Sheet steel, black	1,6	0/400 bar	RF63 D211	85123211

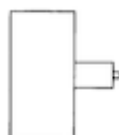
Blue part no. = in-stock items





**RF100 D211**

Housing $\varnothing$	Connection	Alignment	Housing	Accuracy class	Range	Type	Part no.
100 mm	G $\frac{1}{4}$ B	Centre back	Sheet steel, black	1,6	-1/0 bar	RF100 D211	85201211
100 mm	G $\frac{1}{4}$ B	Centre back	Sheet steel, black	1,6	-1/+0.6 bar	RF100 D211	85202211
100 mm	G $\frac{1}{4}$ B	Centre back	Sheet steel, black	1,6	-1/+1.5 bar	RF100 D211	85203211
100 mm	G $\frac{1}{4}$ B	Centre back	Sheet steel, black	1,6	-1/+3 bar	RF100 D211	85204211
100 mm	G $\frac{1}{4}$ B	Centre back	Sheet steel, black	1,6	-1/+5 bar	RF100 D211	85205211
100 mm	G $\frac{1}{4}$ B	Centre back	Sheet steel, black	1,6	-1/+9 bar	RF100 D211	85206211
100 mm	G $\frac{1}{4}$ B	Centre back	Sheet steel, black	1,6	-1/+15 bar	RF100 D211	85207211
100 mm	G $\frac{1}{4}$ B	Centre back	Sheet steel, black	1,6	0/0.6 bar	RF100 D211	85209211
100 mm	G $\frac{1}{4}$ B	Centre back	Sheet steel, black	1,6	0/1 bar	RF100 D211	85210211
100 mm	G $\frac{1}{4}$ B	Centre back	Sheet steel, black	1,6	0/1.6 bar	RF100 D211	85211211
100 mm	G $\frac{1}{4}$ B	Centre back	Sheet steel, black	1,6	0/2.5 bar	RF100 D211	85212211
100 mm	G $\frac{1}{4}$ B	Centre back	Sheet steel, black	1,6	0/4 bar	RF100 D211	<a href="#">85213211</a>
100 mm	G $\frac{1}{4}$ B	Centre back	Sheet steel, black	1,6	0/6 bar	RF100 D211	<a href="#">85214211</a>
100 mm	G $\frac{1}{4}$ B	Centre back	Sheet steel, black	1,6	0/10 bar	RF100 D211	<a href="#">85215211</a>
100 mm	G $\frac{1}{4}$ B	Centre back	Sheet steel, black	1,6	0/16 bar	RF100 D211	<a href="#">85216211</a>
100 mm	G $\frac{1}{4}$ B	Centre back	Sheet steel, black	1,6	0/25 bar	RF100 D211	85217211
100 mm	G $\frac{1}{4}$ B	Centre back	Sheet steel, black	1,6	0/40 bar	RF100 D211	85218211
100 mm	G $\frac{1}{4}$ B	Centre back	Sheet steel, black	1,6	0/60 bar	RF100 D211	85219211
100 mm	G $\frac{1}{4}$ B	Centre back	Sheet steel, black	1,6	0/100 bar	RF100 D211	85220211
100 mm	G $\frac{1}{4}$ B	Centre back	Sheet steel, black	1,6	0/160 bar	RF100 D211	85221211
100 mm	G $\frac{1}{4}$ B	Centre back	Sheet steel, black	1,6	0/250 bar	RF100 D211	85222211
100 mm	G $\frac{1}{4}$ B	Centre back	Sheet steel, black	1,6	0/400 bar	RF100 D211	85223211

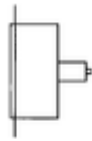


Blue part no. = in-stock items



**RF40 D231**

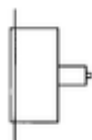
Housing $\varnothing$	Connection	Alignment	Housing	Accuracy class	Range	Type	Part no.
40 mm	G $\frac{1}{4}$ B	Centre back	Sheet steel, black	1,6	-1/0 bar	RF40 D231	85001231
40 mm	G $\frac{1}{4}$ B	Centre back	Sheet steel, black	1,6	0/1 bar	RF40 D231	85010231
40 mm	G $\frac{1}{4}$ B	Centre back	Sheet steel, black	1,6	0/1.6 bar	RF40 D231	85011231
40 mm	G $\frac{1}{4}$ B	Centre back	Sheet steel, black	1,6	0/2.5 bar	RF40 D231	85012231
40 mm	G $\frac{1}{4}$ B	Centre back	Sheet steel, black	1,6	0/4 bar	RF40 D231	85013231
40 mm	G $\frac{1}{4}$ B	Centre back	Sheet steel, black	1,6	0/6 bar	RF40 D231	<a href="#">85014231</a>
40 mm	G $\frac{1}{4}$ B	Centre back	Sheet steel, black	1,6	0/10 bar	RF40 D231	<a href="#">85015231</a>
40 mm	G $\frac{1}{4}$ B	Centre back	Sheet steel, black	1,6	0/16 bar	RF40 D231	<a href="#">85016231</a>
40 mm	G $\frac{1}{4}$ B	Centre back	Sheet steel, black	1,6	0/25 bar	RF40 D231	85017231
40 mm	G $\frac{1}{4}$ B	Centre back	Sheet steel, black	1,6	0/40 bar	RF40 D231	85018231
40 mm	G $\frac{1}{4}$ B	Centre back	Sheet steel, black	1,6	0/60 bar	RF40 D231	85019231
40 mm	G $\frac{1}{4}$ B	Centre back	Sheet steel, black	1,6	0/100 bar	RF40 D231	85020231
40 mm	G $\frac{1}{4}$ B	Centre back	Sheet steel, black	1,6	0/160 bar	RF40 D231	85021231
40 mm	G $\frac{1}{4}$ B	Centre back	Sheet steel, black	1,6	0/250 bar	RF40 D231	85022231



Blue part no. = in-stock items

**RF50 D231**

Housing $\varnothing$	Connection	Alignment	Housing	Accuracy class	Range	Type	Part no.
50 mm	G $\frac{1}{4}$ B	Centre back	Sheet steel, black	1,6	-1/0 bar	RF50 D231	85051231
50 mm	G $\frac{1}{4}$ B	Centre back	Sheet steel, black	1,6	0/1 bar	RF50 D231	85060231
50 mm	G $\frac{1}{4}$ B	Centre back	Sheet steel, black	1,6	0/1.6 bar	RF50 D231	85061231
50 mm	G $\frac{1}{4}$ B	Centre back	Sheet steel, black	1,6	0/2.5 bar	RF50 D231	<a href="#">85062231</a>
50 mm	G $\frac{1}{4}$ B	Centre back	Sheet steel, black	1,6	0/4 bar	RF50 D231	<a href="#">85063231</a>
50 mm	G $\frac{1}{4}$ B	Centre back	Sheet steel, black	1,6	0/6 bar	RF50 D231	<a href="#">85064231</a>
50 mm	G $\frac{1}{4}$ B	Centre back	Sheet steel, black	1,6	0/10 bar	RF50 D231	<a href="#">85065231</a>
50 mm	G $\frac{1}{4}$ B	Centre back	Sheet steel, black	1,6	0/16 bar	RF50 D231	<a href="#">85066231</a>
50 mm	G $\frac{1}{4}$ B	Centre back	Sheet steel, black	1,6	0/25 bar	RF50 D231	<a href="#">85067231</a>
50 mm	G $\frac{1}{4}$ B	Centre back	Sheet steel, black	1,6	0/40 bar	RF50 D231	85068231
50 mm	G $\frac{1}{4}$ B	Centre back	Sheet steel, black	1,6	0/60 bar	RF50 D231	85069231



Blue part no. = in-stock items



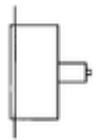
Housing $\varnothing$	Connection	Alignment	Housing	Accuracy class	Range	Type	Part no.
50 mm	G $\frac{1}{4}$ B	Centre back	Sheet steel, black	1,6	0/100 bar	RF50 D231	85070231
50 mm	G $\frac{1}{4}$ B	Centre back	Sheet steel, black	1,6	0/160 bar	RF50 D231	85071231
50 mm	G $\frac{1}{4}$ B	Centre back	Sheet steel, black	1,6	0/250 bar	RF50 D231	85072231
50 mm	G $\frac{1}{4}$ B	Centre back	Sheet steel, black	1,6	0/400 bar	RF50 D231	85073231

Blue part no. = in-stock items

### RF63 D231

Housing $\varnothing$	Connection	Alignment	Housing	Accuracy class	Range	Type	Part no.
63 mm	G $\frac{1}{4}$ B	Centre back	Sheet steel, black	1,6	-1/0 bar	RF63 D231	<a href="#">85101231</a>
63 mm	G $\frac{1}{4}$ B	Centre back	Sheet steel, black	1,6	-1/+0.6 bar	RF63 D231	85102231
63 mm	G $\frac{1}{4}$ B	Centre back	Sheet steel, black	1,6	-1/+1.5 bar	RF63 D231	85103231
63 mm	G $\frac{1}{4}$ B	Centre back	Sheet steel, black	1,6	-1/+3 bar	RF63 D231	85104231
63 mm	G $\frac{1}{4}$ B	Centre back	Sheet steel, black	1,6	-1/+5 bar	RF63 D231	85105231
63 mm	G $\frac{1}{4}$ B	Centre back	Sheet steel, black	1,6	-1/+9 bar	RF63 D231	85106231
63 mm	G $\frac{1}{4}$ B	Centre back	Sheet steel, black	1,6	-1/+15 bar	RF63 D231	85107231
63 mm	G $\frac{1}{4}$ B	Centre back	Sheet steel, black	1,6	0/0.6 bar	RF63 D231	85109231
63 mm	G $\frac{1}{4}$ B	Centre back	Sheet steel, black	1,6	0/1 bar	RF63 D231	85110231
63 mm	G $\frac{1}{4}$ B	Centre back	Sheet steel, black	1,6	0/1.6 bar	RF63 D231	85111231
63 mm	G $\frac{1}{4}$ B	Centre back	Sheet steel, black	1,6	0/2.5 bar	RF63 D231	<a href="#">85112231</a>
63 mm	G $\frac{1}{4}$ B	Centre back	Sheet steel, black	1,6	0/4 bar	RF63 D231	<a href="#">85113231</a>
63 mm	G $\frac{1}{4}$ B	Centre back	Sheet steel, black	1,6	0/6 bar	RF63 D231	<a href="#">85114231</a>
63 mm	G $\frac{1}{4}$ B	Centre back	Sheet steel, black	1,6	0/10 bar	RF63 D231	<a href="#">85115231</a>
63 mm	G $\frac{1}{4}$ B	Centre back	Sheet steel, black	1,6	0/16 bar	RF63 D231	<a href="#">85116231</a>
63 mm	G $\frac{1}{4}$ B	Centre back	Sheet steel, black	1,6	0/25 bar	RF63 D231	85117231
63 mm	G $\frac{1}{4}$ B	Centre back	Sheet steel, black	1,6	0/40 bar	RF63 D231	85118231
63 mm	G $\frac{1}{4}$ B	Centre back	Sheet steel, black	1,6	0/60 bar	RF63 D231	85119231
63 mm	G $\frac{1}{4}$ B	Centre back	Sheet steel, black	1,6	0/100 bar	RF63 D231	85120231
63 mm	G $\frac{1}{4}$ B	Centre back	Sheet steel, black	1,6	0/160 bar	RF63 D231	85121231
63 mm	G $\frac{1}{4}$ B	Centre back	Sheet steel, black	1,6	0/250 bar	RF63 D231	85122231
63 mm	G $\frac{1}{4}$ B	Centre back	Sheet steel, black	1,6	0/400 bar	RF63 D231	85123231

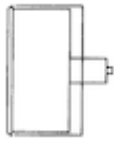
Blue part no. = in-stock items





**RF40 D251**

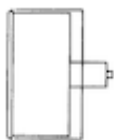
Housing $\varnothing$	Connection	Alignment	Housing	Accuracy class	Range	Type	Part no.
40 mm	G $\frac{1}{4}$ B	Centre back	Sheet steel, black	1,6	-1/0 bar	RF40 D251	<a href="#">85001251</a>
40 mm	G $\frac{1}{4}$ B	Centre back	Sheet steel, black	1,6	0/1 bar	RF40 D251	85010251
40 mm	G $\frac{1}{4}$ B	Centre back	Sheet steel, black	1,6	0/1.6 bar	RF40 D251	85011251
40 mm	G $\frac{1}{4}$ B	Centre back	Sheet steel, black	1,6	0/2.5 bar	RF40 D251	85012251
40 mm	G $\frac{1}{4}$ B	Centre back	Sheet steel, black	1,6	0/4 bar	RF40 D251	<a href="#">85013251</a>
40 mm	G $\frac{1}{4}$ B	Centre back	Sheet steel, black	1,6	0/6 bar	RF40 D251	<a href="#">85014251</a>
40 mm	G $\frac{1}{4}$ B	Centre back	Sheet steel, black	1,6	0/10 bar	RF40 D251	<a href="#">85015251</a>
40 mm	G $\frac{1}{4}$ B	Centre back	Sheet steel, black	1,6	0/16 bar	RF40 D251	<a href="#">85016251</a>
40 mm	G $\frac{1}{4}$ B	Centre back	Sheet steel, black	1,6	0/25 bar	RF40 D251	85017251
40 mm	G $\frac{1}{4}$ B	Centre back	Sheet steel, black	1,6	0/40 bar	RF40 D251	85018251
40 mm	G $\frac{1}{4}$ B	Centre back	Sheet steel, black	1,6	0/60 bar	RF40 D251	85019251
40 mm	G $\frac{1}{4}$ B	Centre back	Sheet steel, black	1,6	0/100 bar	RF40 D251	85020251
40 mm	G $\frac{1}{4}$ B	Centre back	Sheet steel, black	1,6	0/160 bar	RF40 D251	85021251
40 mm	G $\frac{1}{4}$ B	Centre back	Sheet steel, black	1,6	0/250 bar	RF40 D251	85022251



Blue part no. = in-stock items

**RF50 D251**

Housing $\varnothing$	Connection	Alignment	Housing	Accuracy class	Range	Type	Part no.
50 mm	G $\frac{1}{4}$ B	Centre back	Sheet steel, black	1,6	-1/0 bar	RF50 D251	<a href="#">85051251</a>
50 mm	G $\frac{1}{4}$ B	Centre back	Sheet steel, black	1,6	0/1 bar	RF50 D251	<a href="#">85060251</a>
50 mm	G $\frac{1}{4}$ B	Centre back	Sheet steel, black	1,6	0/1.6 bar	RF50 D251	85061251
50 mm	G $\frac{1}{4}$ B	Centre back	Sheet steel, black	1,6	0/2.5 bar	RF50 D251	<a href="#">85062251</a>
50 mm	G $\frac{1}{4}$ B	Centre back	Sheet steel, black	1,6	0/4 bar	RF50 D251	<a href="#">85063251</a>
50 mm	G $\frac{1}{4}$ B	Centre back	Sheet steel, black	1,6	0/6 bar	RF50 D251	<a href="#">85064251</a>
50 mm	G $\frac{1}{4}$ B	Centre back	Sheet steel, black	1,6	0/10 bar	RF50 D251	<a href="#">85065251</a>
50 mm	G $\frac{1}{4}$ B	Centre back	Sheet steel, black	1,6	0/16 bar	RF50 D251	<a href="#">85066251</a>
50 mm	G $\frac{1}{4}$ B	Centre back	Sheet steel, black	1,6	0/25 bar	RF50 D251	85067251
50 mm	G $\frac{1}{4}$ B	Centre back	Sheet steel, black	1,6	0/40 bar	RF50 D251	85068251
50 mm	G $\frac{1}{4}$ B	Centre back	Sheet steel, black	1,6	0/60 bar	RF50 D251	85069251



Blue part no. = in-stock items



Housing $\varnothing$	Connection	Alignment	Housing	Accuracy class	Range	Type	Part no.
50 mm	G $\frac{1}{4}$ B	Centre back	Sheet steel, black	1,6	0/100 bar	RF50 D251	85070251
50 mm	G $\frac{1}{4}$ B	Centre back	Sheet steel, black	1,6	0/160 bar	RF50 D251	85071251
50 mm	G $\frac{1}{4}$ B	Centre back	Sheet steel, black	1,6	0/250 bar	RF50 D251	85072251
50 mm	G $\frac{1}{4}$ B	Centre back	Sheet steel, black	1,6	0/400 bar	RF50 D251	85073251

Blue part no. = in-stock items

### RF63 D251

Housing $\varnothing$	Connection	Alignment	Housing	Accuracy class	Range	Type	Part no.
63 mm	G $\frac{1}{4}$ B	Centre back	Sheet steel, black	1,6	-1/0 bar	RF63 D251	<a href="#">85101251</a>
63 mm	G $\frac{1}{4}$ B	Centre back	Sheet steel, black	1,6	-1/+0.6 bar	RF63 D251	85102251
63 mm	G $\frac{1}{4}$ B	Centre back	Sheet steel, black	1,6	-1/+1.5 bar	RF63 D251	85103251
63 mm	G $\frac{1}{4}$ B	Centre back	Sheet steel, black	1,6	-1/+3 bar	RF63 D251	85104251
63 mm	G $\frac{1}{4}$ B	Centre back	Sheet steel, black	1,6	-1/+5 bar	RF63 D251	85105251
63 mm	G $\frac{1}{4}$ B	Centre back	Sheet steel, black	1,6	-1/+9 bar	RF63 D251	85106251
63 mm	G $\frac{1}{4}$ B	Centre back	Sheet steel, black	1,6	-1/+15 bar	RF63 D251	85107251
63 mm	G $\frac{1}{4}$ B	Centre back	Sheet steel, black	1,6	0/0.6 bar	RF63 D251	85109251
63 mm	G $\frac{1}{4}$ B	Centre back	Sheet steel, black	1,6	0/1 bar	RF63 D251	85110251
63 mm	G $\frac{1}{4}$ B	Centre back	Sheet steel, black	1,6	0/1.6 bar	RF63 D251	85111251
63 mm	G $\frac{1}{4}$ B	Centre back	Sheet steel, black	1,6	0/2.5 bar	RF63 D251	<a href="#">85112251</a>
63 mm	G $\frac{1}{4}$ B	Centre back	Sheet steel, black	1,6	0/4 bar	RF63 D251	<a href="#">85113251</a>
63 mm	G $\frac{1}{4}$ B	Centre back	Sheet steel, black	1,6	0/6 bar	RF63 D251	<a href="#">85114251</a>
63 mm	G $\frac{1}{4}$ B	Centre back	Sheet steel, black	1,6	0/10 bar	RF63 D251	<a href="#">85115251</a>
63 mm	G $\frac{1}{4}$ B	Centre back	Sheet steel, black	1,6	0/16 bar	RF63 D251	<a href="#">85116251</a>
63 mm	G $\frac{1}{4}$ B	Centre back	Sheet steel, black	1,6	0/25 bar	RF63 D251	<a href="#">85117251</a>
63 mm	G $\frac{1}{4}$ B	Centre back	Sheet steel, black	1,6	0/40 bar	RF63 D251	85118251
63 mm	G $\frac{1}{4}$ B	Centre back	Sheet steel, black	1,6	0/60 bar	RF63 D251	85119251
63 mm	G $\frac{1}{4}$ B	Centre back	Sheet steel, black	1,6	0/100 bar	RF63 D251	85120251
63 mm	G $\frac{1}{4}$ B	Centre back	Sheet steel, black	1,6	0/160 bar	RF63 D251	85121251
63 mm	G $\frac{1}{4}$ B	Centre back	Sheet steel, black	1,6	0/250 bar	RF63 D251	85122251
63 mm	G $\frac{1}{4}$ B	Centre back	Sheet steel, black	1,6	0/400 bar	RF63 D251	85123251

Blue part no. = in-stock items

