

## Combined thermometer/pressure gauge THMK With capillary tube



### Benefits

- Ideal for boilers and hot water storage tanks
- Corrosion-resistant, highly impact-resistant plastic housing
- Many customised versions available

### Application

Heating, cooling and plumbing, e.g. boilers, hot water storage tanks.

### Technical specifications

**Nominal size**  
52

#### Range

Pressure: 0/6 bar 0/4 bar  
Temperature: 0/120 °C

#### Accuracy/test point

Pressure: 4,0  
Temperature: 50 °C = ± 3 °C

#### Measuring principle

Pressure: Bourdon tube, Copper alloy  
Temperature: Liquid filling

#### Application area

Pressure  
Static load:  $\frac{1}{4}$  x full scale value  
Dynamic load:  $\frac{1}{3}$  x full scale value  
Short-term: Full scale value  
Temperature: Full scale value

#### Operating temperature range

Medium: Full scale value  
Ambient: Max. 70 °C

#### Operating pressure

Without pressure

#### Degree of protection

IP 32 (EN 60529)



### Standard version

#### Connection

Pressure: G $\frac{1}{4}$ B, Brass  
 Temperature:  $\varnothing$  6 x 30 mm, Copper  
 Capillary tube: Copper with PVC coating (R3, grey)

#### Dial

Plastic, black  
 Scaling white

#### Pointer

Plastic, white

#### Housing

Plastic (ABS), grey

#### Window

Plastic with reference pointer

#### Bezel

Push on bezel  
 Plastic (ABS), black

#### Capillary length

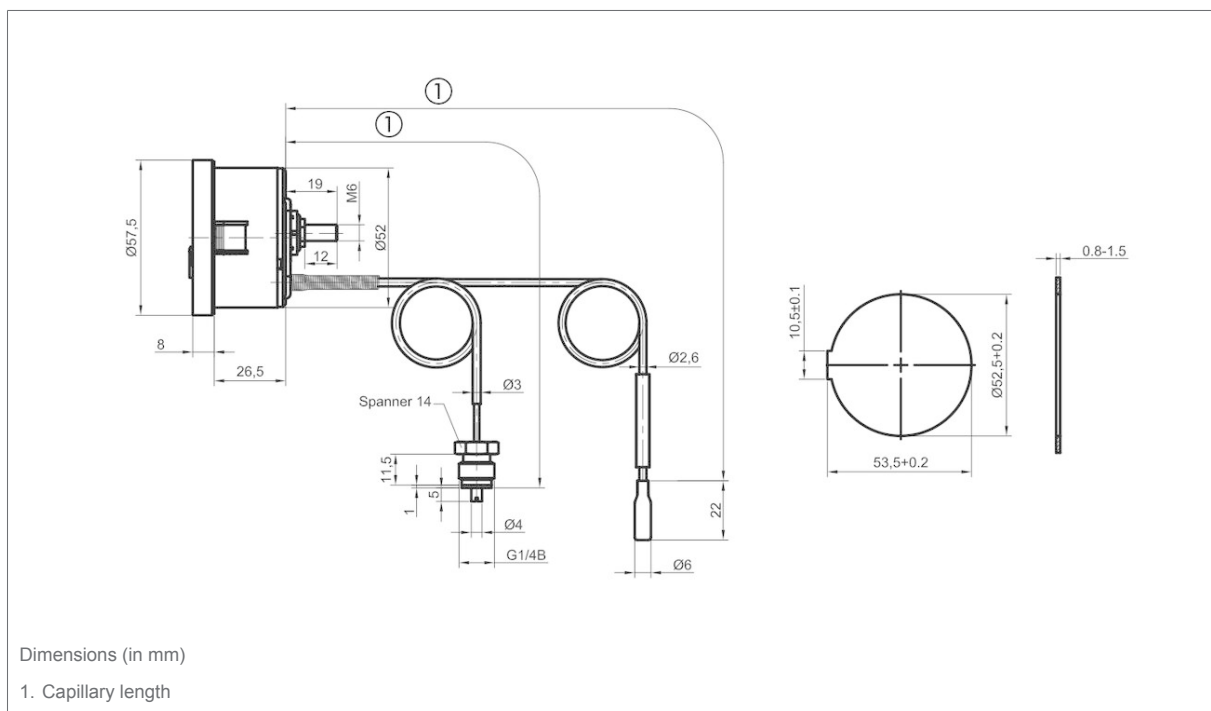
1,500, 500, 1,000, 2,000 mm

### Options

- Dial with customer logo
- Various capillary lengths
- Special colours for housing, dial, pointer

### Detail views

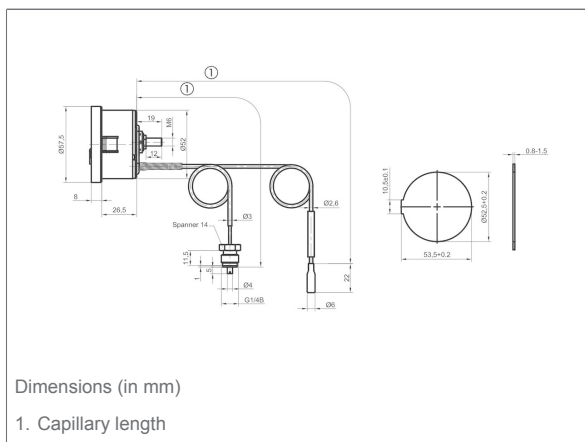
#### Type THMK 52





## Technical drawings

### Type THMK 52



## Versions

### THMK 52

	Housing ø	Pointer	Dial	Scale	Range		Capillary length	Type	Part no.
					Temperature	Pressure			
	52 mm	White	Black	White	0/120 °C	0/6 bar	1,500 mm	THMK 52	<a href="#">67636125</a>
	52 mm	White	Black	White	0/120 °C	0/4 bar	500 mm	THMK 52	67635105
	52 mm	White	Black	White	0/120 °C	0/4 bar	1,000 mm	THMK 52	67635115
	52 mm	White	Black	White	0/120 °C	0/4 bar	1,500 mm	THMK 52	<a href="#">67635125</a>
	52 mm	White	Black	White	0/120 °C	0/4 bar	2,000 mm	THMK 52	67635135

Blue part no. = in-stock items