

## Standard capsule pressure gauges Type D4



### Benefits

- With zero correction
- Optional overpressure and/or underpressure safety 10 x FSD
- Extremely low measuring ranges from 0/6 mbar
- GOSSTANDART-certified

### Application

For gaseous, dry media which do not attack copper alloys.

! For measuring gas or vapour, observe the table "Selection Criteria as per EN 837-2" (see appendix)!

### Technical specifications

#### Type

D4

#### Nominal size

100

#### Accuracy class (EN 837-3/6)

1,6

#### Ranges (EN 837-3/5)

See ordering table

#### Application area

Static load: Full scale value  
Dynamic load: 0.9 x full scale value  
Overload safety: 1.3 x full scale value

#### Operating temperature range

Medium: Max. 60 °C  
Ambient: -20/+60 °C

#### Temperature performance

Indication error when the temperature of the measuring system deviates from the normal temperature of 20 °C:  
at rising temperature approx.  $\pm 0.6 \text{ \%}/10 \text{ K}$   
falling temperature approx.  $\pm 0.6 \text{ \%}/10 \text{ K}$   
of full scale value

#### Degree of protection

NG 100: IP 54 (EN 60529)

## Standard version

### Connection

Brass, bottom

### Measuring element

Capsule element, CuBe alloy

### Movement

Brass

### Zero correction

From the front

### Seal

NBR (Perbunan)

### Dial

Aluminium, white

Scaling black

### Pointer

Aluminium, black

### Housing

Stainless steel 304

### Bayonet type bezel

Stainless steel 304

### Window

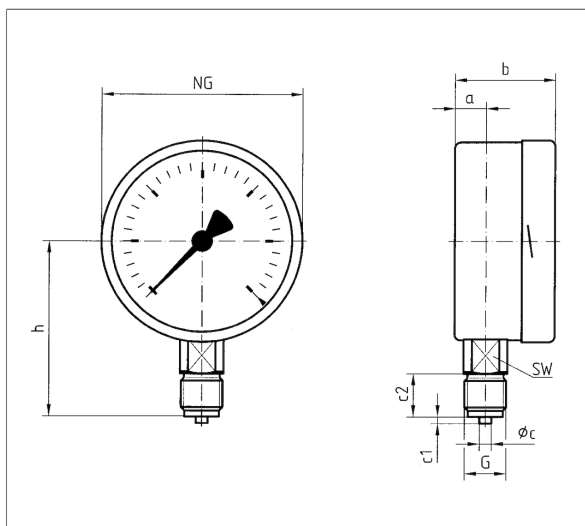
D401: Instrument glass

## Options

- Overpressure and underpressure safety 10 x FSD
- Back flange
- Panel mounting bezel, with window, plastic
- 3-hole fixing, panel mounting bezel with window, plastic
- Damping screw
- Reference pointer
- Special scales
- Other process connections

## Technical drawings

### Bottom connection



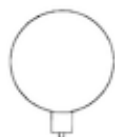
### Dimensions (mm)

| NG  | a    | b  | øc | c1 | c2 | G                 | h   | SW |
|-----|------|----|----|----|----|-------------------|-----|----|
| 63  | 10,8 | 40 | 5  | 2  | 13 | G $\frac{1}{4}$ B | 53  | 14 |
| 100 | 15,6 | 49 | 6  | 3  | 20 | G $\frac{1}{2}$ B | 86  | 22 |
| 160 | 17,5 | 50 | 6  | 3  | 20 | G $\frac{1}{2}$ B | 116 | 22 |



## Versions

### KP100 D401



| Housing ∅ | Connection | Alignment | Housing             | Accuracy class | Range      | Type       | Part no.                 |
|-----------|------------|-----------|---------------------|----------------|------------|------------|--------------------------|
| 100 mm    | G½B        | Bottom    | Stainless steel 304 | 1,6            | 0/40 mbar  | KP100 D401 | <a href="#">35117401</a> |
| 100 mm    | G½B        | Bottom    | Stainless steel 304 | 1,6            | 0/60 mbar  | KP100 D401 | <a href="#">35118401</a> |
| 100 mm    | G½B        | Bottom    | Stainless steel 304 | 1,6            | 0/100 mbar | KP100 D401 | <a href="#">35119401</a> |
| 100 mm    | G½B        | Bottom    | Stainless steel 304 | 1,6            | 0/160 mbar | KP100 D401 | <a href="#">35120401</a> |
| 100 mm    | G½B        | Bottom    | Stainless steel 304 | 1,6            | 0/250 mbar | KP100 D401 | <a href="#">35121401</a> |
| 100 mm    | G½B        | Bottom    | Stainless steel 304 | 1,6            | 0/400 mbar | KP100 D401 | <a href="#">35122401</a> |

Blue part no. = in-stock items