

Industrial thermometer VMTh



Benefits

- Extremely robust due to full metal housing
- Vibration-resistant glass thermometer
- Stainless steel version possible
- Excellent readability due to blue thermometer filling

Application

Heating, industry, mechanical engineering

Technical specifications

Nominal size

110 x 30 – 150 x 36 – 200 x 36

Upper part

Aluminium, V-shaped, polished, anodised brass-coloured. Numbers of measuring range printed in black at the right part of the scale below the anodised layer. Adjustable by means of brass nut (spanner size SW 22) so that readings from any angle are possible.

Glass insert (capillary)

Prismatic capillary, completely made of glass, \varnothing 6 mm. Graduation marks of the capillary burnt in, black, completely resistant. Main graduation marks corresponding to the numbers printed on the housing are especially bold and easy to read.

Thermometer filling

Standard version: Blue liquid indicating from -60 to +200 °C.

Stem

Brass, \varnothing 10 mm, with fixed thread G $\frac{1}{2}$ B. Stainless steel version on request.

Accuracy

DIN 16195

Ranges °C

-30/+50, 0/60, 0/100, 0/120, 0/160

Mounting position

Straight
Angled 90°

Immersion pipe length

40, 63, 100, 160 mm

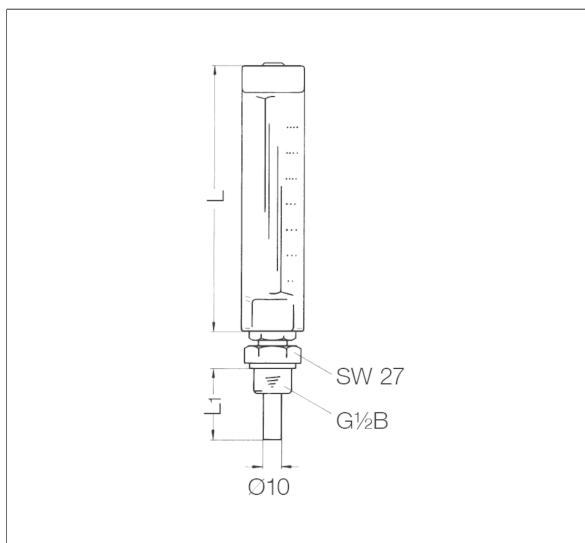
Options

- Other ranges
- Other stem lengths
- Other stem materials
- Other connection threads
- Upper part anodised aluminium-coloured
- Upper part made of plastic
- Thermowells

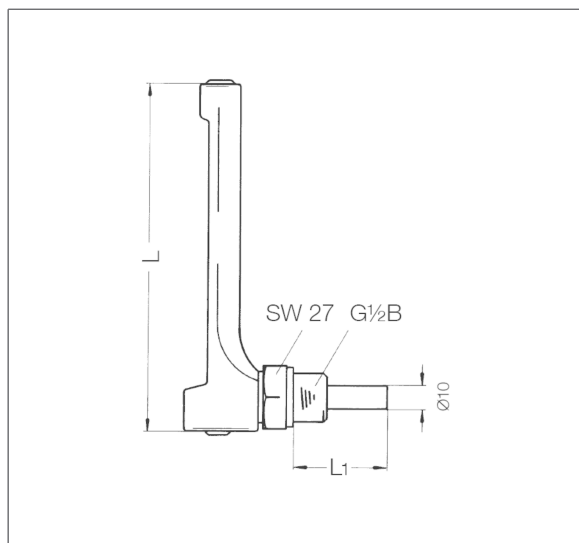


Technical drawings

mounting position straight



mounting position angled 90°



Dimensions (mm)

| Typ | L | L ₁ | | | |
|----------|-----|----------------|----|-----|-----|
| VMTh 110 | 110 | 40 | 63 | 100 | 160 |
| VMTh 150 | 150 | 40 | 63 | 100 | 160 |
| VMTh 200 | 200 | 40 | 63 | 100 | 160 |

Versions

VMTh 110

| Nominal size | Version | Mounting position | Range | Stem length | Type | Part no. |
|--------------|-----------|-------------------|------------|-------------|----------|----------|
| 110 x 30 mm | DIN 16181 | Straight | -30/+50 °C | 40 mm | VMTh 110 | 64101 |
| 110 x 30 mm | DIN 16181 | Straight | -30/+50 °C | 63 mm | VMTh 110 | 64102 |
| 110 x 30 mm | DIN 16181 | Straight | -30/+50 °C | 100 mm | VMTh 110 | 64103 |
| 110 x 30 mm | DIN 16181 | Straight | -30/+50 °C | 160 mm | VMTh 110 | 64104 |
| 110 x 30 mm | DIN 16181 | Straight | 0/60 °C | 40 mm | VMTh 110 | 64106 |
| 110 x 30 mm | DIN 16181 | Straight | 0/60 °C | 63 mm | VMTh 110 | 64107 |
| 110 x 30 mm | DIN 16181 | Straight | 0/60 °C | 100 mm | VMTh 110 | 64108 |
| 110 x 30 mm | DIN 16181 | Straight | 0/60 °C | 160 mm | VMTh 110 | 64109 |
| 110 x 30 mm | DIN 16181 | Straight | 0/120 °C | 40 mm | VMTh 110 | 64111 |
| 110 x 30 mm | DIN 16181 | Straight | 0/120 °C | 63 mm | VMTh 110 | 64112 |



Blue part no. = in-stock items



| Nominal size | Version | Mounting position | Range | Stem length | Type | Part no. |
|--------------|-----------|-------------------|------------|-------------|----------|-----------------------|
| 110 x 30 mm | DIN 16181 | Straight | 0/120 °C | 100 mm | VMTh 110 | 64113 |
| 110 x 30 mm | DIN 16181 | Straight | 0/120 °C | 160 mm | VMTh 110 | 64114 |
| 110 x 30 mm | DIN 16181 | Straight | 0/160 °C | 40 mm | VMTh 110 | 64116 |
| 110 x 30 mm | DIN 16181 | Straight | 0/160 °C | 63 mm | VMTh 110 | 64117 |
| 110 x 30 mm | DIN 16181 | Straight | 0/160 °C | 100 mm | VMTh 110 | 64118 |
| 110 x 30 mm | DIN 16181 | Straight | 0/160 °C | 160 mm | VMTh 110 | 64119 |
| 110 x 30 mm | DIN 16182 | Angled 90° | -30/+50 °C | 40 mm | VMTh 110 | 64120 |
| 110 x 30 mm | DIN 16182 | Angled 90° | -30/+50 °C | 63 mm | VMTh 110 | 64121 |
| 110 x 30 mm | DIN 16182 | Angled 90° | -30/+50 °C | 100 mm | VMTh 110 | 64122 |
| 110 x 30 mm | DIN 16182 | Angled 90° | -30/+50 °C | 160 mm | VMTh 110 | 64123 |
| 110 x 30 mm | DIN 16182 | Angled 90° | 0/60 °C | 40 mm | VMTh 110 | 64124 |
| 110 x 30 mm | DIN 16182 | Angled 90° | 0/60 °C | 63 mm | VMTh 110 | 64125 |
| 110 x 30 mm | DIN 16182 | Angled 90° | 0/60 °C | 100 mm | VMTh 110 | 64126 |
| 110 x 30 mm | DIN 16182 | Angled 90° | 0/60 °C | 160 mm | VMTh 110 | 64127 |
| 110 x 30 mm | DIN 16182 | Angled 90° | 0/120 °C | 40 mm | VMTh 110 | 64128 |
| 110 x 30 mm | DIN 16182 | Angled 90° | 0/120 °C | 63 mm | VMTh 110 | 64129 |
| 110 x 30 mm | DIN 16182 | Angled 90° | 0/120 °C | 100 mm | VMTh 110 | 64130 |
| 110 x 30 mm | DIN 16182 | Angled 90° | 0/120 °C | 160 mm | VMTh 110 | 64131 |
| 110 x 30 mm | DIN 16182 | Angled 90° | 0/160 °C | 40 mm | VMTh 110 | 64132 |
| 110 x 30 mm | DIN 16182 | Angled 90° | 0/160 °C | 63 mm | VMTh 110 | 64133 |
| 110 x 30 mm | DIN 16182 | Angled 90° | 0/160 °C | 100 mm | VMTh 110 | 64134 |
| 110 x 30 mm | DIN 16182 | Angled 90° | 0/160 °C | 160 mm | VMTh 110 | 64135 |



Blue part no. = in-stock items

VMTh 150

| Nominal size | Version | Mounting position | Range | Stem length | Type | Part no. |
|--------------|-----------|-------------------|------------|-------------|----------|----------|
| 150 x 36 mm | DIN 16185 | Straight | -30/+50 °C | 40 mm | VMTh 150 | 64136 |
| 150 x 36 mm | DIN 16185 | Straight | -30/+50 °C | 63 mm | VMTh 150 | 64137 |
| 150 x 36 mm | DIN 16185 | Straight | -30/+50 °C | 100 mm | VMTh 150 | 64138 |
| 150 x 36 mm | DIN 16185 | Straight | -30/+50 °C | 160 mm | VMTh 150 | 64139 |



Blue part no. = in-stock items



| Nominal size | Version | Mounting position | Range | Stem length | Type | Part no. |
|--------------|-----------|-------------------|------------|-------------|----------|-----------------------|
| 150 x 36 mm | DIN 16185 | Straight | 0/60 °C | 40 mm | VMTh 150 | 64140 |
| 150 x 36 mm | DIN 16185 | Straight | 0/60 °C | 63 mm | VMTh 150 | 64141 |
| 150 x 36 mm | DIN 16185 | Straight | 0/60 °C | 100 mm | VMTh 150 | 64142 |
| 150 x 36 mm | DIN 16185 | Straight | 0/60 °C | 160 mm | VMTh 150 | 64143 |
| 150 x 36 mm | DIN 16185 | Straight | 0/100 °C | 40 mm | VMTh 150 | 64330 |
| 150 x 36 mm | DIN 16185 | Straight | 0/100 °C | 63 mm | VMTh 150 | 64331 |
| 150 x 36 mm | DIN 16185 | Straight | 0/100 °C | 100 mm | VMTh 150 | 64332 |
| 150 x 36 mm | DIN 16185 | Straight | 0/100 °C | 160 mm | VMTh 150 | 64333 |
| 150 x 36 mm | DIN 16185 | Straight | 0/120 °C | 40 mm | VMTh 150 | 64100 |
| 150 x 36 mm | DIN 16185 | Straight | 0/120 °C | 63 mm | VMTh 150 | 64105 |
| 150 x 36 mm | DIN 16185 | Straight | 0/120 °C | 100 mm | VMTh 150 | 64144 |
| 150 x 36 mm | DIN 16185 | Straight | 0/120 °C | 160 mm | VMTh 150 | 64145 |
| 150 x 36 mm | DIN 16185 | Straight | 0/160 °C | 40 mm | VMTh 150 | 64146 |
| 150 x 36 mm | DIN 16185 | Straight | 0/160 °C | 63 mm | VMTh 150 | 64147 |
| 150 x 36 mm | DIN 16185 | Straight | 0/160 °C | 100 mm | VMTh 150 | 64148 |
| 150 x 36 mm | DIN 16185 | Straight | 0/160 °C | 160 mm | VMTh 150 | 64149 |
| 150 x 36 mm | DIN 16186 | Angled 90° | -30/+50 °C | 40 mm | VMTh 150 | 64150 |
| 150 x 36 mm | DIN 16186 | Angled 90° | -30/+50 °C | 63 mm | VMTh 150 | 64151 |
| 150 x 36 mm | DIN 16186 | Angled 90° | -30/+50 °C | 100 mm | VMTh 150 | 64152 |
| 150 x 36 mm | DIN 16186 | Angled 90° | -30/+50 °C | 160 mm | VMTh 150 | 64153 |
| 150 x 36 mm | DIN 16186 | Angled 90° | 0/60 °C | 40 mm | VMTh 150 | 64154 |
| 150 x 36 mm | DIN 16186 | Angled 90° | 0/60 °C | 63 mm | VMTh 150 | 64155 |
| 150 x 36 mm | DIN 16186 | Angled 90° | 0/60 °C | 100 mm | VMTh 150 | 64156 |
| 150 x 36 mm | DIN 16186 | Angled 90° | 0/60 °C | 160 mm | VMTh 150 | 64157 |
| 150 x 36 mm | DIN 16186 | Angled 90° | 0/100 °C | 40 mm | VMTh 150 | 64335 |
| 150 x 36 mm | DIN 16186 | Angled 90° | 0/100 °C | 63 mm | VMTh 150 | 64336 |
| 150 x 36 mm | DIN 16186 | Angled 90° | 0/100 °C | 100 mm | VMTh 150 | 64337 |
| 150 x 36 mm | DIN 16186 | Angled 90° | 0/100 °C | 160 mm | VMTh 150 | 64338 |



Blue part no. = in-stock items



| Nominal size | Version | Mounting position | Range | Stem length | Type | Part no. |
|--------------|-----------|-------------------|----------|-------------|----------|-----------------------|
| 150 x 36 mm | DIN 16186 | Angled 90° | 0/120 °C | 40 mm | VMTh 150 | 64110 |
| 150 x 36 mm | DIN 16186 | Angled 90° | 0/120 °C | 63 mm | VMTh 150 | 64115 |
| 150 x 36 mm | DIN 16186 | Angled 90° | 0/120 °C | 100 mm | VMTh 150 | 64158 |
| 150 x 36 mm | DIN 16186 | Angled 90° | 0/120 °C | 160 mm | VMTh 150 | 64159 |
| 150 x 36 mm | DIN 16186 | Angled 90° | 0/160 °C | 40 mm | VMTh 150 | 64160 |
| 150 x 36 mm | DIN 16186 | Angled 90° | 0/160 °C | 63 mm | VMTh 150 | 64161 |
| 150 x 36 mm | DIN 16186 | Angled 90° | 0/160 °C | 100 mm | VMTh 150 | 64162 |
| 150 x 36 mm | DIN 16186 | Angled 90° | 0/160 °C | 160 mm | VMTh 150 | 64163 |

Blue part no. = in-stock items

VMTh 200

| Nominal size | Version | Mounting position | Range | Stem length | Type | Part no. |
|--------------|-----------|-------------------|------------|-------------|----------|----------|
| 200 x 36 mm | DIN 16189 | Straight | -30/+50 °C | 63 mm | VMTh 200 | 64165 |
| 200 x 36 mm | DIN 16189 | Straight | -30/+50 °C | 100 mm | VMTh 200 | 64166 |
| 200 x 36 mm | DIN 16189 | Straight | -30/+50 °C | 160 mm | VMTh 200 | 64167 |
| 200 x 36 mm | DIN 16189 | Straight | 0/60 °C | 63 mm | VMTh 200 | 64169 |
| 200 x 36 mm | DIN 16189 | Straight | 0/60 °C | 100 mm | VMTh 200 | 64170 |
| 200 x 36 mm | DIN 16189 | Straight | 0/60 °C | 160 mm | VMTh 200 | 64171 |
| 200 x 36 mm | DIN 16189 | Straight | 0/120 °C | 63 mm | VMTh 200 | 64173 |
| 200 x 36 mm | DIN 16189 | Straight | 0/120 °C | 100 mm | VMTh 200 | 64174 |
| 200 x 36 mm | DIN 16189 | Straight | 0/120 °C | 160 mm | VMTh 200 | 64175 |
| 200 x 36 mm | DIN 16189 | Straight | 0/160 °C | 63 mm | VMTh 200 | 64177 |
| 200 x 36 mm | DIN 16189 | Straight | 0/160 °C | 100 mm | VMTh 200 | 64178 |
| 200 x 36 mm | DIN 16189 | Straight | 0/160 °C | 160 mm | VMTh 200 | 64179 |
| 200 x 36 mm | DIN 16190 | Angled 90° | -30/+50 °C | 63 mm | VMTh 200 | 64181 |
| 200 x 36 mm | DIN 16190 | Angled 90° | -30/+50 °C | 100 mm | VMTh 200 | 64182 |
| 200 x 36 mm | DIN 16190 | Angled 90° | -30/+50 °C | 160 mm | VMTh 200 | 64183 |
| 200 x 36 mm | DIN 16190 | Angled 90° | 0/60 °C | 63 mm | VMTh 200 | 64185 |
| 200 x 36 mm | DIN 16190 | Angled 90° | 0/60 °C | 100 mm | VMTh 200 | 64186 |
| 200 x 36 mm | DIN 16190 | Angled 90° | 0/60 °C | 160 mm | VMTh 200 | 64187 |

Blue part no. = in-stock items





| Nominal size | Version | Mounting position | Range | Stem length | Type | Part no. |
|--------------|-----------|-------------------|----------|-------------|----------|----------|
| 200 x 36 mm | DIN 16190 | Angled 90° | 0/120 °C | 63 mm | VMTh 200 | 64189 |
| 200 x 36 mm | DIN 16190 | Angled 90° | 0/120 °C | 100 mm | VMTh 200 | 64190 |
| 200 x 36 mm | DIN 16190 | Angled 90° | 0/120 °C | 160 mm | VMTh 200 | 64191 |
| 200 x 36 mm | DIN 16190 | Angled 90° | 0/160 °C | 63 mm | VMTh 200 | 64193 |
| 200 x 36 mm | DIN 16190 | Angled 90° | 0/160 °C | 100 mm | VMTh 200 | 64194 |
| 200 x 36 mm | DIN 16190 | Angled 90° | 0/160 °C | 160 mm | VMTh 200 | 64195 |

Blue part no. = in-stock items