



Bourdon tube pressure gauge with screw bezel housing type D6 with glycerine filling



Benefits

- For machine and plant engineering
- Extremely robust plastic housing (PA 6.6 GB30)
- Laminated safety glass window
- Higher accuracy class optional

Application

For gaseous and liquid media which are not highly viscous, do not crystallise and do not attack copper alloys. For high measuring accuracy.
! For measuring gas or vapour, observe the table "Selection Criteria as per EN 837-2"

Technical specifications

Type

D6

Nominal size

100

Accuracy class (EN 837-1/6)

1,0

Ranges (EN 837-1/5)

See ordering table

Application area

Static load

≤ 600 bar: Full scale value
> 600 bar: ¾ x full scale value

Dynamic load

≤ 600 bar: 0.9 x full scale value
> 600 bar: ¾ x full scale value

Short-term

≤ 600 bar: 1.3 x full scale value
> 600 bar: Full scale value

Operating temperature range

Medium: Max. 60 °C

Ambient: -20/+60 °C

Temperature performance

Indication error when the temperature of the measuring system deviates from the normal temperature of 20 °C:
at rising temperature approx. ± 0.4 %/10 K
falling temperature approx. ± 0.4 %/10 K
of full scale value

Degree of protection

IP 54 (EN 60529) with housing vent (≤ 25 bar)

IP 65 (EN 60529)



Standard version

Connection

Brass, bottom or bottom back

Measuring element

Bourdon tube

≤ 60 bar: "C" type tube, Copper alloy

> 60 bar: Helical tube, stainless steel 316 Ti/316 L

Movement

Brass

Dial

Aluminium, white

Scaling black

Pointer

Aluminium, black

Housing

Plastic (PA 6.6 GB30), with blow-out

Screw type bezel

Plastic (PA 6.6 GB30)

Window

Laminated safety glass

Filling liquid

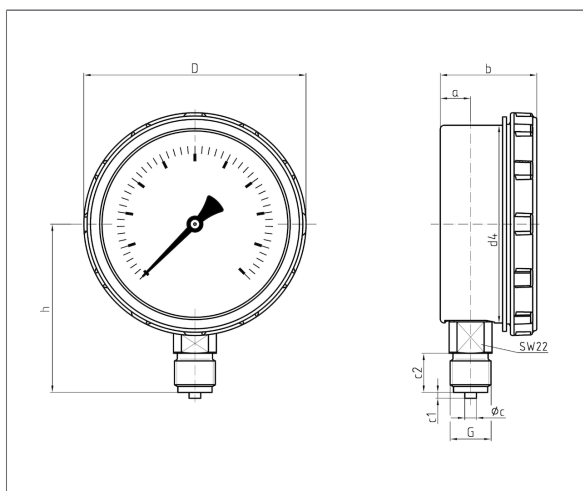
Glycerine

Options

- Higher accuracy class
- Damping screw
- Special scales
- Other process connections
- Micro-adjustable pointer

Technical drawings

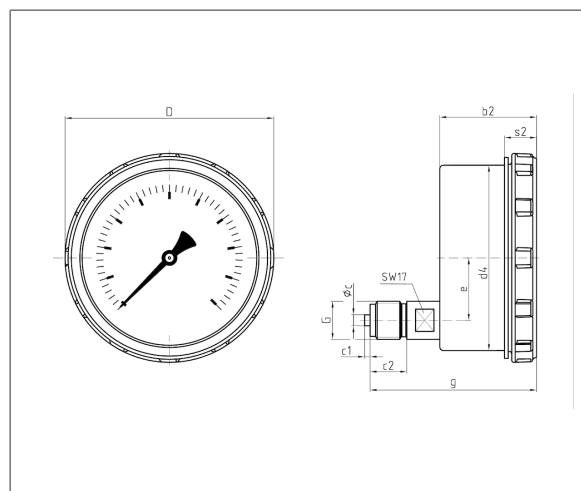
Bottom connection



Dimensions (mm)

NG	a	b	∅c	c1	c2	d4	D	G	h
100	15,5	50	6	3	20	101	114	G½B	86

bottom back connection

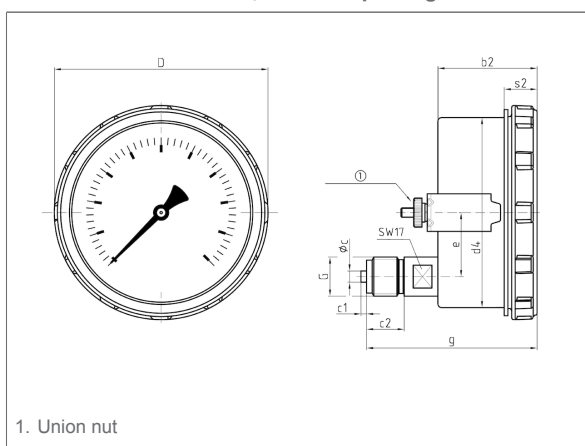


Dimensions (mm)

NG	b2	∅c	c1	c2	d4	D	e	G	g	s2
100	52,5	6	3	20	101	114	34	G½B	91	17,5



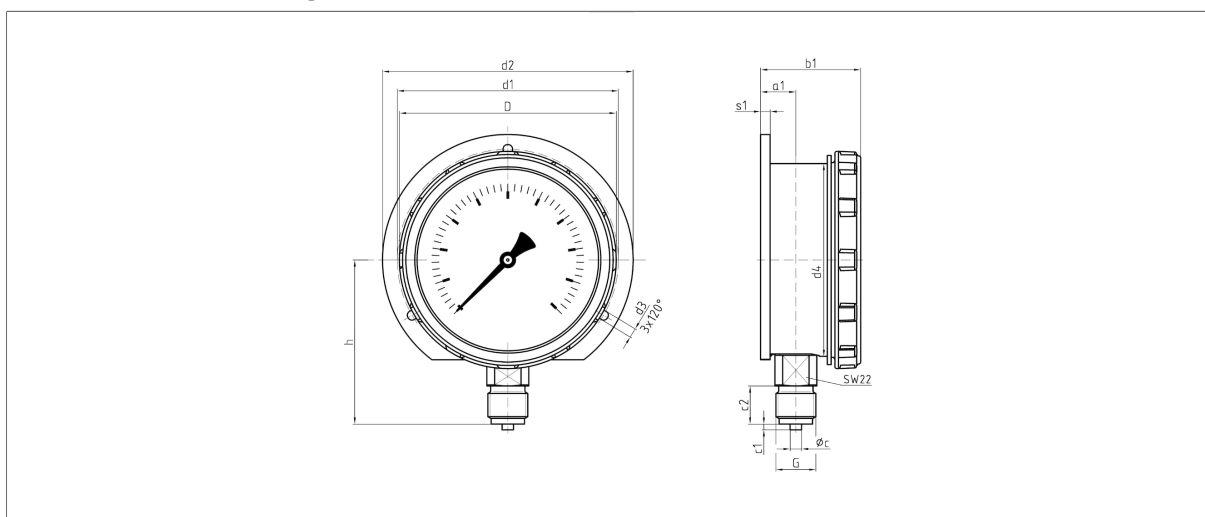
bottom back connection, with clamp fixing



Dimensions (mm)

NG	b2	∅c	c1	c2	d4	D	e	G	g	s2
100	52,5	6	3	20	101	114	34	G½B	91	17,5

Bottom connection, back flange



Dimensions (mm)

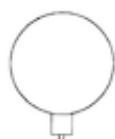
NG	a1	b1	∅c	c1	c2	d1	d2	d3	d4	D	G	h	s1
100	18,5	52,5	6	3	20	116	131,5	5	101	114	G½B	86	5



Versions

RF100GlySR D601

Housing \varnothing	Connection	Alignment	Housing	Accuracy class	Range	Type	Part no.
100 mm	G½B	Bottom	Plastic (PA 6.6 GB30)	1,0	-1/0 bar	RF100GlySR D601	85201601
100 mm	G½B	Bottom	Plastic (PA 6.6 GB30)	1,0	-1/+0.6 bar	RF100GlySR D601	85202601
100 mm	G½B	Bottom	Plastic (PA 6.6 GB30)	1,0	-1/+1.5 bar	RF100GlySR D601	85203601
100 mm	G½B	Bottom	Plastic (PA 6.6 GB30)	1,0	-1/+3 bar	RF100GlySR D601	85204601
100 mm	G½B	Bottom	Plastic (PA 6.6 GB30)	1,0	-1/+5 bar	RF100GlySR D601	85205601
100 mm	G½B	Bottom	Plastic (PA 6.6 GB30)	1,0	-1/+9 bar	RF100GlySR D601	85206601
100 mm	G½B	Bottom	Plastic (PA 6.6 GB30)	1,0	-1/+15 bar	RF100GlySR D601	85207601
100 mm	G½B	Bottom	Plastic (PA 6.6 GB30)	1,0	0/0.6 bar	RF100GlySR D601	85209601
100 mm	G½B	Bottom	Plastic (PA 6.6 GB30)	1,0	0/1 bar	RF100GlySR D601	85210601
100 mm	G½B	Bottom	Plastic (PA 6.6 GB30)	1,0	0/1.6 bar	RF100GlySR D601	85211601
100 mm	G½B	Bottom	Plastic (PA 6.6 GB30)	1,0	0/2.5 bar	RF100GlySR D601	85212601
100 mm	G½B	Bottom	Plastic (PA 6.6 GB30)	1,0	0/4 bar	RF100GlySR D601	85213601
100 mm	G½B	Bottom	Plastic (PA 6.6 GB30)	1,0	0/6 bar	RF100GlySR D601	85214601
100 mm	G½B	Bottom	Plastic (PA 6.6 GB30)	1,0	0/10 bar	RF100GlySR D601	85215601
100 mm	G½B	Bottom	Plastic (PA 6.6 GB30)	1,0	0/16 bar	RF100GlySR D601	85216601
100 mm	G½B	Bottom	Plastic (PA 6.6 GB30)	1,0	0/25 bar	RF100GlySR D601	85217601
100 mm	G½B	Bottom	Plastic (PA 6.6 GB30)	1,0	0/40 bar	RF100GlySR D601	85218601
100 mm	G½B	Bottom	Plastic (PA 6.6 GB30)	1,0	0/60 bar	RF100GlySR D601	85219601
100 mm	G½B	Bottom	Plastic (PA 6.6 GB30)	1,0	0/100 bar	RF100GlySR D601	85220601
100 mm	G½B	Bottom	Plastic (PA 6.6 GB30)	1,0	0/160 bar	RF100GlySR D601	85221601
100 mm	G½B	Bottom	Plastic (PA 6.6 GB30)	1,0	0/250 bar	RF100GlySR D601	85222601
100 mm	G½B	Bottom	Plastic (PA 6.6 GB30)	1,0	0/400 bar	RF100GlySR D601	85223601
100 mm	G½B	Bottom	Plastic (PA 6.6 GB30)	1,0	0/600 bar	RF100GlySR D601	85224601
100 mm	G½B	Bottom	Plastic (PA 6.6 GB30)	1,0	0/1,000 bar	RF100GlySR D601	85225601

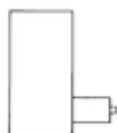


Blue part no. = in-stock items



RF100GlySR D611

Housing \varnothing	Connection	Alignment	Housing	Accuracy class	Range	Type	Part no.
100 mm	G½B	Bottom back	Plastic (PA 6.6 GB30)	1,0	-1/0 bar	RF100GlySR D611	85201611
100 mm	G½B	Bottom back	Plastic (PA 6.6 GB30)	1,0	-1/+0.6 bar	RF100GlySR D611	85202611
100 mm	G½B	Bottom back	Plastic (PA 6.6 GB30)	1,0	-1/+1.5 bar	RF100GlySR D611	85203611
100 mm	G½B	Bottom back	Plastic (PA 6.6 GB30)	1,0	-1/+3 bar	RF100GlySR D611	85204611
100 mm	G½B	Bottom back	Plastic (PA 6.6 GB30)	1,0	-1/+5 bar	RF100GlySR D611	85205611
100 mm	G½B	Bottom back	Plastic (PA 6.6 GB30)	1,0	-1/+9 bar	RF100GlySR D611	85206611
100 mm	G½B	Bottom back	Plastic (PA 6.6 GB30)	1,0	-1/+15 bar	RF100GlySR D611	85207611
100 mm	G½B	Bottom back	Plastic (PA 6.6 GB30)	1,0	0/0.6 bar	RF100GlySR D611	85209611
100 mm	G½B	Bottom back	Plastic (PA 6.6 GB30)	1,0	0/1 bar	RF100GlySR D611	85210611
100 mm	G½B	Bottom back	Plastic (PA 6.6 GB30)	1,0	0/1.6 bar	RF100GlySR D611	85211611
100 mm	G½B	Bottom back	Plastic (PA 6.6 GB30)	1,0	0/2.5 bar	RF100GlySR D611	85212611
100 mm	G½B	Bottom back	Plastic (PA 6.6 GB30)	1,0	0/4 bar	RF100GlySR D611	85213611
100 mm	G½B	Bottom back	Plastic (PA 6.6 GB30)	1,0	0/6 bar	RF100GlySR D611	85214611
100 mm	G½B	Bottom back	Plastic (PA 6.6 GB30)	1,0	0/10 bar	RF100GlySR D611	85215611
100 mm	G½B	Bottom back	Plastic (PA 6.6 GB30)	1,0	0/16 bar	RF100GlySR D611	85216611
100 mm	G½B	Bottom back	Plastic (PA 6.6 GB30)	1,0	0/25 bar	RF100GlySR D611	85217611
100 mm	G½B	Bottom back	Plastic (PA 6.6 GB30)	1,0	0/40 bar	RF100GlySR D611	85218611
100 mm	G½B	Bottom back	Plastic (PA 6.6 GB30)	1,0	0/60 bar	RF100GlySR D611	85219611
100 mm	G½B	Bottom back	Plastic (PA 6.6 GB30)	1,0	0/100 bar	RF100GlySR D611	85220611
100 mm	G½B	Bottom back	Plastic (PA 6.6 GB30)	1,0	0/160 bar	RF100GlySR D611	85221611
100 mm	G½B	Bottom back	Plastic (PA 6.6 GB30)	1,0	0/250 bar	RF100GlySR D611	85222611
100 mm	G½B	Bottom back	Plastic (PA 6.6 GB30)	1,0	0/400 bar	RF100GlySR D611	85223611
100 mm	G½B	Bottom back	Plastic (PA 6.6 GB30)	1,0	0/600 bar	RF100GlySR D611	85224611
100 mm	G½B	Bottom back	Plastic (PA 6.6 GB30)	1,0	0/1,000 bar	RF100GlySR D611	85225611



Blue part no. = in-stock items



RF100GlySR D641

Housing \varnothing	Connection	Alignment	Housing	Accuracy class	Range	Type	Part no.
100 mm	G½B	Bottom back	Plastic (PA 6.6 GB30)	1,0	-1/0 bar	RF100GlySR D641	85201641
100 mm	G½B	Bottom back	Plastic (PA 6.6 GB30)	1,0	-1/+0.6 bar	RF100GlySR D641	85202641
100 mm	G½B	Bottom back	Plastic (PA 6.6 GB30)	1,0	-1/+1.5 bar	RF100GlySR D641	85203641
100 mm	G½B	Bottom back	Plastic (PA 6.6 GB30)	1,0	-1/+3 bar	RF100GlySR D641	85204641
100 mm	G½B	Bottom back	Plastic (PA 6.6 GB30)	1,0	-1/+5 bar	RF100GlySR D641	85205641
100 mm	G½B	Bottom back	Plastic (PA 6.6 GB30)	1,0	-1/+9 bar	RF100GlySR D641	85206641
100 mm	G½B	Bottom back	Plastic (PA 6.6 GB30)	1,0	-1/+15 bar	RF100GlySR D641	85207641
100 mm	G½B	Bottom back	Plastic (PA 6.6 GB30)	1,0	0/0.6 bar	RF100GlySR D641	85209641
100 mm	G½B	Bottom back	Plastic (PA 6.6 GB30)	1,0	0/1 bar	RF100GlySR D641	85210641
100 mm	G½B	Bottom back	Plastic (PA 6.6 GB30)	1,0	0/1.6 bar	RF100GlySR D641	85211641
100 mm	G½B	Bottom back	Plastic (PA 6.6 GB30)	1,0	0/2.5 bar	RF100GlySR D641	85212641
100 mm	G½B	Bottom back	Plastic (PA 6.6 GB30)	1,0	0/4 bar	RF100GlySR D641	85213641
100 mm	G½B	Bottom back	Plastic (PA 6.6 GB30)	1,0	0/6 bar	RF100GlySR D641	85214641
100 mm	G½B	Bottom back	Plastic (PA 6.6 GB30)	1,0	0/10 bar	RF100GlySR D641	85215641
100 mm	G½B	Bottom back	Plastic (PA 6.6 GB30)	1,0	0/16 bar	RF100GlySR D641	85216641
100 mm	G½B	Bottom back	Plastic (PA 6.6 GB30)	1,0	0/25 bar	RF100GlySR D641	85217641
100 mm	G½B	Bottom back	Plastic (PA 6.6 GB30)	1,0	0/40 bar	RF100GlySR D641	85218641
100 mm	G½B	Bottom back	Plastic (PA 6.6 GB30)	1,0	0/60 bar	RF100GlySR D641	85219641
100 mm	G½B	Bottom back	Plastic (PA 6.6 GB30)	1,0	0/100 bar	RF100GlySR D641	85220641
100 mm	G½B	Bottom back	Plastic (PA 6.6 GB30)	1,0	0/160 bar	RF100GlySR D641	85221641
100 mm	G½B	Bottom back	Plastic (PA 6.6 GB30)	1,0	0/250 bar	RF100GlySR D641	85222641
100 mm	G½B	Bottom back	Plastic (PA 6.6 GB30)	1,0	0/400 bar	RF100GlySR D641	85223641
100 mm	G½B	Bottom back	Plastic (PA 6.6 GB30)	1,0	0/600 bar	RF100GlySR D641	85224641
100 mm	G½B	Bottom back	Plastic (PA 6.6 GB30)	1,0	0/1,000 bar	RF100GlySR D641	85225641



Blue part no. = in-stock items



RF100GlySR D671

Housing \varnothing	Connection	Alignment	Housing	Accuracy class	Range	Type	Part no.
100 mm	G½B	Bottom	Plastic (PA 6.6 GB30)	1,0	-1/0 bar	RF100GlySR D671	85201671
100 mm	G½B	Bottom	Plastic (PA 6.6 GB30)	1,0	-1/+0.6 bar	RF100GlySR D671	85202671
100 mm	G½B	Bottom	Plastic (PA 6.6 GB30)	1,0	-1/+1.5 bar	RF100GlySR D671	85203671
100 mm	G½B	Bottom	Plastic (PA 6.6 GB30)	1,0	-1/+3 bar	RF100GlySR D671	85204671
100 mm	G½B	Bottom	Plastic (PA 6.6 GB30)	1,0	-1/+5 bar	RF100GlySR D671	85205671
100 mm	G½B	Bottom	Plastic (PA 6.6 GB30)	1,0	-1/+9 bar	RF100GlySR D671	85206671
100 mm	G½B	Bottom	Plastic (PA 6.6 GB30)	1,0	-1/+15 bar	RF100GlySR D671	85207671
100 mm	G½B	Bottom	Plastic (PA 6.6 GB30)	1,0	0/0.6 bar	RF100GlySR D671	85209671
100 mm	G½B	Bottom	Plastic (PA 6.6 GB30)	1,0	0/1 bar	RF100GlySR D671	85210671
100 mm	G½B	Bottom	Plastic (PA 6.6 GB30)	1,0	0/1.6 bar	RF100GlySR D671	85211671
100 mm	G½B	Bottom	Plastic (PA 6.6 GB30)	1,0	0/2.5 bar	RF100GlySR D671	85212671
100 mm	G½B	Bottom	Plastic (PA 6.6 GB30)	1,0	0/4 bar	RF100GlySR D671	85213671
100 mm	G½B	Bottom	Plastic (PA 6.6 GB30)	1,0	0/6 bar	RF100GlySR D671	85214671
100 mm	G½B	Bottom	Plastic (PA 6.6 GB30)	1,0	0/10 bar	RF100GlySR D671	85215671
100 mm	G½B	Bottom	Plastic (PA 6.6 GB30)	1,0	0/16 bar	RF100GlySR D671	85216671
100 mm	G½B	Bottom	Plastic (PA 6.6 GB30)	1,0	0/25 bar	RF100GlySR D671	85217671
100 mm	G½B	Bottom	Plastic (PA 6.6 GB30)	1,0	0/40 bar	RF100GlySR D671	85218671
100 mm	G½B	Bottom	Plastic (PA 6.6 GB30)	1,0	0/60 bar	RF100GlySR D671	85219671
100 mm	G½B	Bottom	Plastic (PA 6.6 GB30)	1,0	0/100 bar	RF100GlySR D671	85220671
100 mm	G½B	Bottom	Plastic (PA 6.6 GB30)	1,0	0/160 bar	RF100GlySR D671	85221671
100 mm	G½B	Bottom	Plastic (PA 6.6 GB30)	1,0	0/250 bar	RF100GlySR D671	85222671
100 mm	G½B	Bottom	Plastic (PA 6.6 GB30)	1,0	0/400 bar	RF100GlySR D671	85223671
100 mm	G½B	Bottom	Plastic (PA 6.6 GB30)	1,0	0/600 bar	RF100GlySR D671	85224671
100 mm	G½B	Bottom	Plastic (PA 6.6 GB30)	1,0	0/1,000 bar	RF100GlySR D671	85225671



Blue part no. = in-stock items