



## Diaphragm pressure gauges for chemical applications Type D4



### Benefits

- For low pressure ranges
- High overload protection
- High resistance
- Optional flange connections

### Application

For corrosive gaseous and liquid media, also for use in corrosive environments. With open connection flange also suitable for viscous and polluted media. For measuring gas or vapour, observe the table "Selection Criteria as per EN 837-2" (see appendix)!

### Technical specifications

**Type**  
D4

**Nominal size**  
100 – 160

**Accuracy class (EN 837-3/6)**  
1,6

**Ranges (EN 837-3/5)**  
See ordering table

**Application area**  
Static load: Full scale value  
Dynamic load: 0.9 x full scale value

**Overpressure safety**  
≤ 6 bar: At least 5 x FS  
≥ 10 bar: Max. 40 bar

**Operating temperature range**  
Medium: Max. 100 °C  
Ambient: -20/+60 °C

**Temperature performance**  
Indication error when the temperature of the measuring system deviates from the normal temperature of 20 °C:  
at rising temperature approx. ± 0.8 %/10 K  
falling temperature approx. ± 0.8 %/10 K  
of full scale value

**Degree of protection**  
IP 54 (EN 60529)



### Standard version

#### Connection

Stainless steel 316 Ti/316 L, bottom  
G½B, SW22 (EN 837-3/7.3)

#### Lower measuring flange

Stainless steel 316 L

#### Upper measuring flange

Stainless steel 304

#### Measuring element

Diaphragm

Measuring flange: Duratherm

#### Seal

FPM (Viton)

#### Movement

Stainless steel

#### Dial

Aluminium, white

Scaling black

#### Pointer

Aluminium, black

#### Housing

Stainless steel 304, with blow-out

#### Bayonet type bezel

Stainless steel 304

#### Window

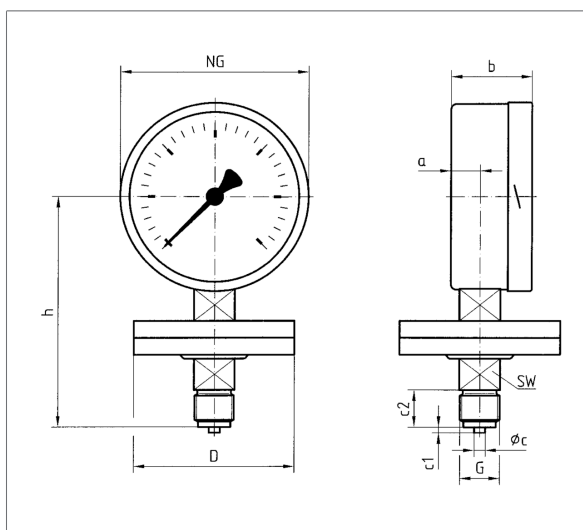
Laminated safety glass

### Options

- Safety housing
- Overpressure safety 10 x FSD (measuring flange  $\varnothing$  100 to max. 40 bar, measuring flange  $\varnothing$  160 to max. 2.5 bar)
- Glycerine filling ( $\geq$  40 mbar,  $\leq$  250 mbar accuracy class 2.5)
- Electrical contacts
- Wetted parts with special coating
- Open connection flanges as per EN/ASME

### Technical drawings

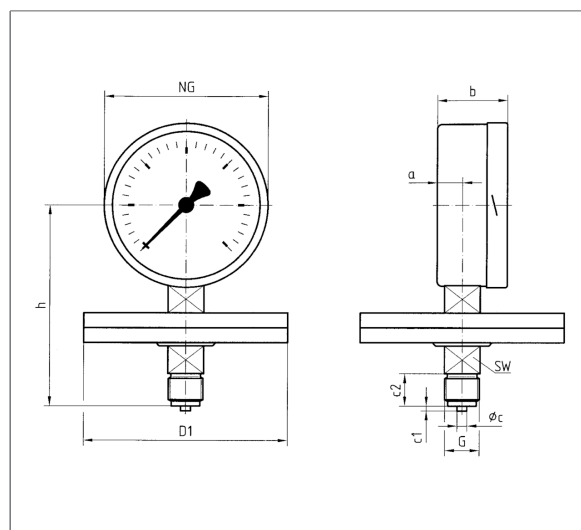
bottom connection, measuring flange  $\varnothing$  100



Dimensions (mm)

NG	a	b	$\varnothing c$	c1	c2	D	G	h	SW
100	20	55	6	3	20	100	G½B	127	22

bottom connection, measuring flange  $\varnothing$  160



Dimensions (mm)

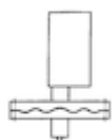
NG	a	b	$\varnothing c$	c1	c2	D1	G	h	SW
160	20	55	6	3	20	160	G½B	156	22



## Versions

### PF100Ch D402

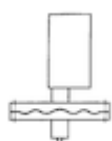
Housing $\varnothing$	Housing	Accuracy class	Range	Type	Part no.
100 mm	Stainless steel 304	1,6	0/0.4 bar	PF100Ch D402	85909402
100 mm	Stainless steel 304	1,6	0/0.6 bar	PF100Ch D402	85910402
100 mm	Stainless steel 304	1,6	0/1 bar	PF100Ch D402	85911402
100 mm	Stainless steel 304	1,6	0/1.6 bar	PF100Ch D402	85912402
100 mm	Stainless steel 304	1,6	0/2.5 bar	PF100Ch D402	85913402
100 mm	Stainless steel 304	1,6	0/4 bar	PF100Ch D402	85914402
100 mm	Stainless steel 304	1,6	0/6 bar	PF100Ch D402	85915402
100 mm	Stainless steel 304	1,6	0/10 bar	PF100Ch D402	85916402
100 mm	Stainless steel 304	1,6	0/16 bar	PF100Ch D402	85917402
100 mm	Stainless steel 304	1,6	0/25 bar	PF100Ch D402	85918402
100 mm	Stainless steel 304	1,6	0/10 mbar	PF100Ch D402	85901402
100 mm	Stainless steel 304	1,6	0/16 mbar	PF100Ch D402	85902402
100 mm	Stainless steel 304	1,6	0/25 mbar	PF100Ch D402	85903402
100 mm	Stainless steel 304	1,6	0/40 mbar	PF100Ch D402	85904402
100 mm	Stainless steel 304	1,6	0/60 mbar	PF100Ch D402	85905402
100 mm	Stainless steel 304	1,6	0/100 mbar	PF100Ch D402	85906402
100 mm	Stainless steel 304	1,6	0/160 mbar	PF100Ch D402	85907402
100 mm	Stainless steel 304	1,6	0/250 mbar	PF100Ch D402	85908402



Blue part no. = in-stock items

### PF160Ch D402

Housing $\varnothing$	Housing	Accuracy class	Range	Type	Part no.
160 mm	Stainless steel 304	1,6	0/0.4 bar	PF160Ch D402	85959402
160 mm	Stainless steel 304	1,6	0/0.6 bar	PF160Ch D402	85960402
160 mm	Stainless steel 304	1,6	0/1 bar	PF160Ch D402	85961402
160 mm	Stainless steel 304	1,6	0/1.6 bar	PF160Ch D402	85962402
160 mm	Stainless steel 304	1,6	0/2.5 bar	PF160Ch D402	85963402



Blue part no. = in-stock items



Housing <sup>®</sup>	Housing	Accuracy class	Range	Type	Part no.
160 mm	Stainless steel 304	1,6	0/4 bar	PF160Ch D402	85964402
160 mm	Stainless steel 304	1,6	0/6 bar	PF160Ch D402	85965402
160 mm	Stainless steel 304	1,6	0/10 bar	PF160Ch D402	85966402
160 mm	Stainless steel 304	1,6	0/16 bar	PF160Ch D402	85967402
160 mm	Stainless steel 304	1,6	0/25 bar	PF160Ch D402	85968402
160 mm	Stainless steel 304	1,6	0/10 mbar	PF160Ch D402	85951402
160 mm	Stainless steel 304	1,6	0/16 mbar	PF160Ch D402	85952402
160 mm	Stainless steel 304	1,6	0/25 mbar	PF160Ch D402	85953402
160 mm	Stainless steel 304	1,6	0/40 mbar	PF160Ch D402	85954402
160 mm	Stainless steel 304	1,6	0/60 mbar	PF160Ch D402	85955402
160 mm	Stainless steel 304	1,6	0/100 mbar	PF160Ch D402	85956402
160 mm	Stainless steel 304	1,6	0/160 mbar	PF160Ch D402	85957402
160 mm	Stainless steel 304	1,6	0/250 mbar	PF160Ch D402	85958402

Blue part no. = in-stock items