



## Diaphragm seal MD 60 for hygienic processes



### Benefits

- 3-A-certified in conjunction with Bourdon tube pressure gauge RF 63/100 and chemical seal DMU 02 Vario
- All materials FDA-listed
- SIP/CIP enabled
- NovAseptic®-compatible (1" up to 2½")

### Application

For mounting to Bourdon tube pressure gauges, pressure transducers or pressure switches. For viscous, perishable or hot media. Typical application areas:

- Food and beverages industry
- Beverages industry
- Pharmaceutical industry
- Biotechnology

### Versions

#### Clamp ISO 2852

Process connection	Instrument connection	Nominal pressure	Minimum range* (in bar) at nominal size				Part no.
			63	100	160	DMU	
¾"	Welded connection	PN 40	6 bar	–	–	1.6 bar	31913W
1"	Welded connection	PN 40	–	–	–	1.6 bar	31914W
1"	Welded connection	PN 40	4 bar	4 bar	–	1 bar	31912W
1½"	Welded connection	PN 40	0.6 bar	0.6 bar	1.6 bar	1 bar	31324W
2"	Welded connection	PN 40	0.6 bar	0.6 bar	0.6 bar	0.6 bar	31325W
2½"	Welded connection	PN 25	0.6 bar	0.6 bar	0.6 bar	0.6 bar	31326W



Blue part no. = in-stock items



## Description

All materials used are FDA-listed. The chemical seal and the measuring instrument are welded together, resulting in an inseparable single, shock- and vibration-resistant unit that does not require additional external protection. The chemical seals are available with various nominal diameters; due to their compact design, they are suitable for a wide range of applications.

## Technical specifications

### Process connection

Stainless steel 316 L  
Clamp ISO 2852

### Diaphragm

Stainless steel 316 L  
Welded to upper body, no dead space

### Surface roughness $R_A$

$\leq 0.8 \mu\text{m}$

### Instrument connection

Welded connection

### Pressure transmission liquid

Paraffin oil (FM 09), FDA-listed

### Pressure range

See overview of versions

### Nominal pressure

PN 40, PN 25

### Test

3-A-certified

Nominal diameter 1"– For 63/100 (crimped bezel/bayonet bezel

2½": versions)

Nominal diameter 1"– For DMU 02 Vario

2½":

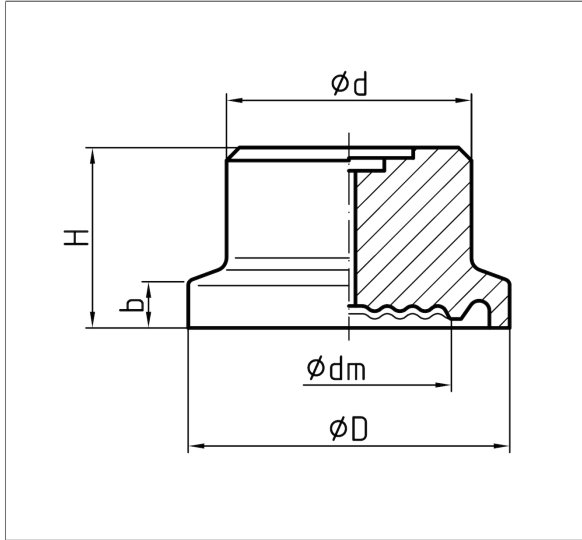
## Options

- Adapter for instrument connection G¼B/G½B
- Special materials/coatings
- Electropolished
- Cooling element ( $> 100 \text{ }^\circ\text{C}$ )
- Capillary tube
- Other filling liquids
- Accessories (retainer ring, seal, socket)
- Other process connections:
  - MD 61: Clamp DIN 32676
  - MD 62: Tri-Clamp



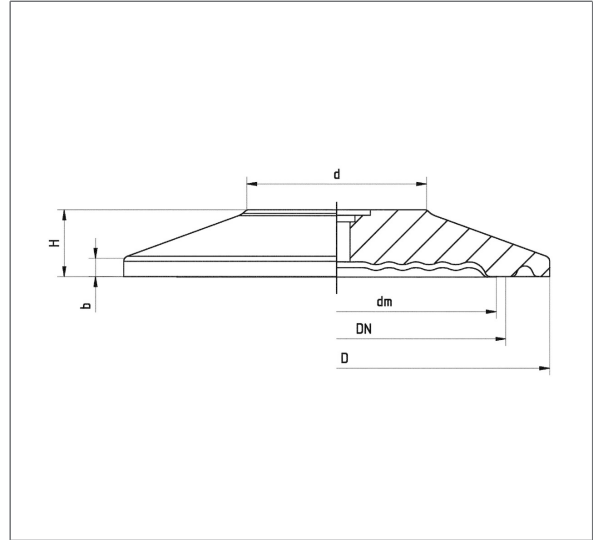
### Technical drawings

Type MD 60 - clamp connection 3/4" ISO 2852



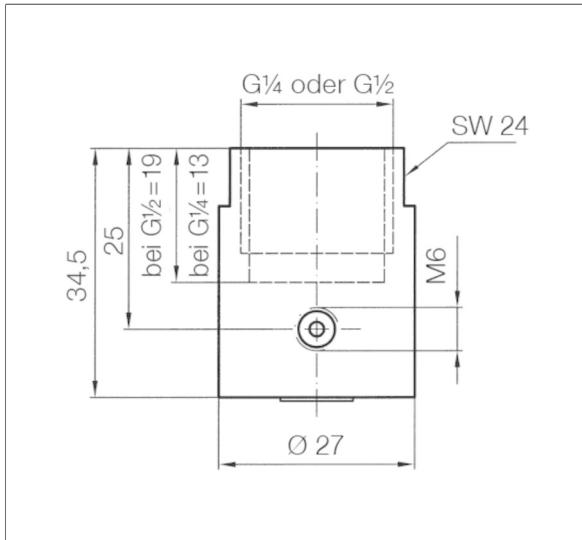
DN	PN	D	dm	d	H	b
3/4"	40	25	17,2	19	14	3,6

Type MD 60 - clamp connection 1"-2 1/2", ISO 2852



DN	PN	D	dm	d	H	b
1"	40	50,5	23,5	27	10	2,85
1 1/2"	40	50,5	36	27	10	2,85
2"	40	64	48	27	10	2,85
2 1/2"	25	77,5	48	38,2	10	2,85

Adapter for instrument connection G 1/4/G 1/2 with filling port



Cooling element, can be welded at both ends

