



## Bourdon tube pressure gauges for chemical applications Type D9



### Benefits

- For chemical and process engineering applications
- Measuring system fully welded to housing
- Extremely robust design
- For temperatures of the medium of up to 200 °C
- Tightness-tested with helium
- GOSSTANDART-certified
- Ex version (optional)

### Application

For corrosive gaseous and liquid media which are not highly viscous and do not crystallise; suitable for corrosive environments.  
! For measuring gas or vapour, observe the table "Selection Criteria as per EN 837-2"!

### Technical specifications

**Type**  
D9

**Nominal size**  
40 – 50 – 63

**Accuracy class**  
EN 837-1/6

NG 40:	2,5
NG 50:	1,6
NG 63:	1,6

**Ranges (EN 837-1/5)**  
See ordering table

**Application area**

Static load:	¼ x full scale value
Dynamic load:	⅓ x full scale value
Short-term:	Full scale value

**Operating temperature range**

Medium	
NG 40:	Max. 100 °C
NG 50:	Max. 150 °C
NG 63:	Max. 200 °C
Ambient:	-20/+60 °C

**Temperature performance**

Indication error when the temperature of the measuring system deviates from the normal temperature of 20 °C:  
at rising temperature approx. ± 0.4 %/10 K  
falling temperature approx. ± 0.4 %/10 K  
of full scale value

**Degree of protection**

IP 54 (EN 60529) with housing vent (≤ 25 bar)  
IP 65 (EN 60529)



## Standard version

### Connection

Stainless steel 316 L, bottom, centre back or bottom back

### Measuring element

Bourdon tube, stainless steel 316 Ti/316

L

≤ 60 bar: "C" type tube

> 60 bar: Helical tube

Tightness-tested with helium

### Movement

Stainless steel

### Dial

Aluminium, white

Scaling black

### Pointer

Aluminium, black

### Housing

Stainless steel 304, with blow-out

### Bayonet type bezel

NG 50: Stainless steel 304

NG 63: Stainless steel 304

### Crimped bezel

NG 40: Stainless steel 304

NG 50: Stainless steel 304

NG 63: Stainless steel 304

### Window

NG 40: Plastic (PMMA)

NG 50: Plastic

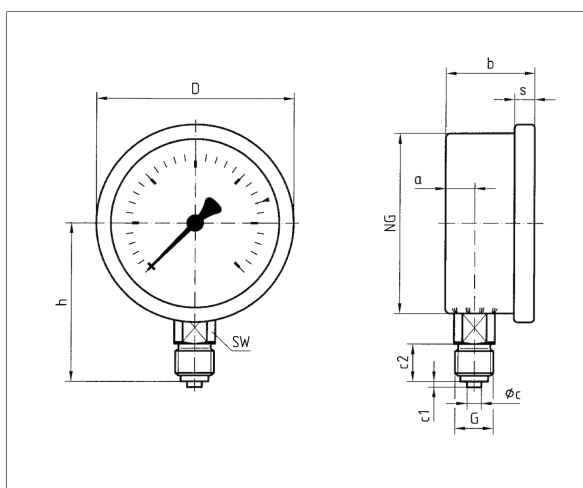
NG 63: Laminated safety glass

## Options

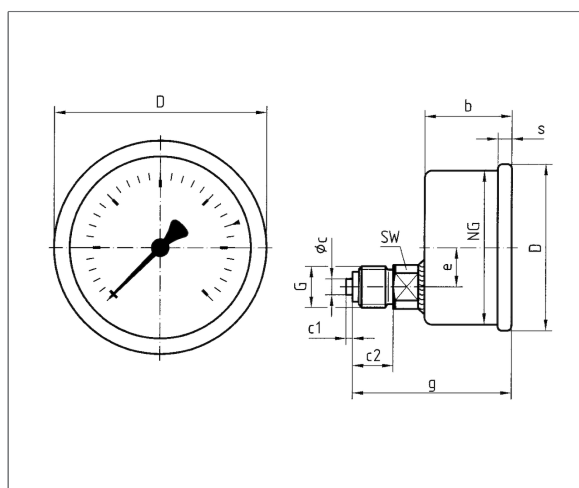
- Brass movement
- Back flange (NG 63)
- Clamp fixing
- Ex version
- Crimped bezel, polished
- Special scales
- Other process connections

## Technical drawings

NG 50/63 – bottom connection

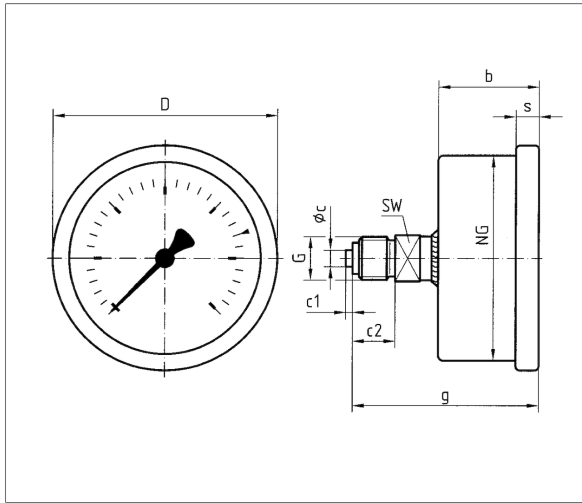


NG 50 – bottom back connection

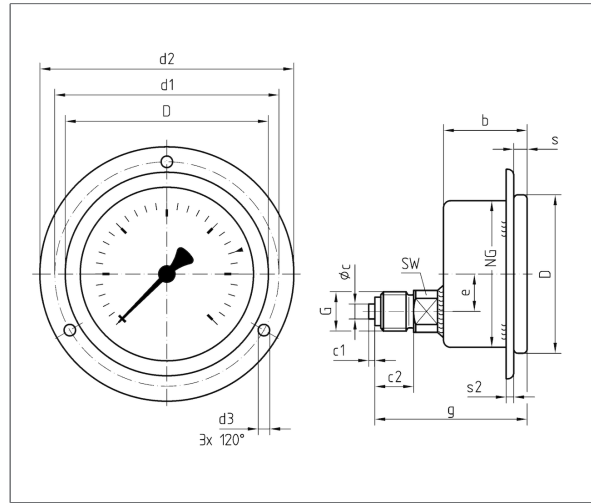




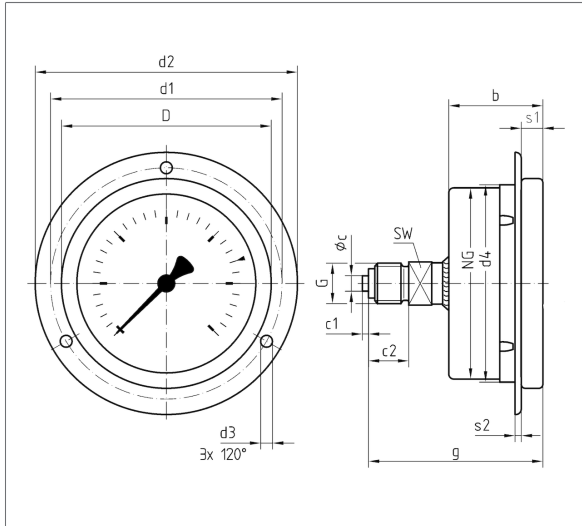
**NG 63 – centre back connection**



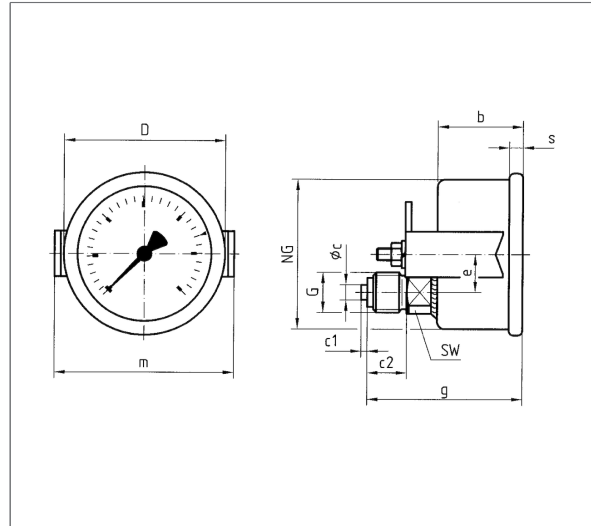
**NG 50 – bottom back connection, 3-hole fixing, panel mounting bezel**



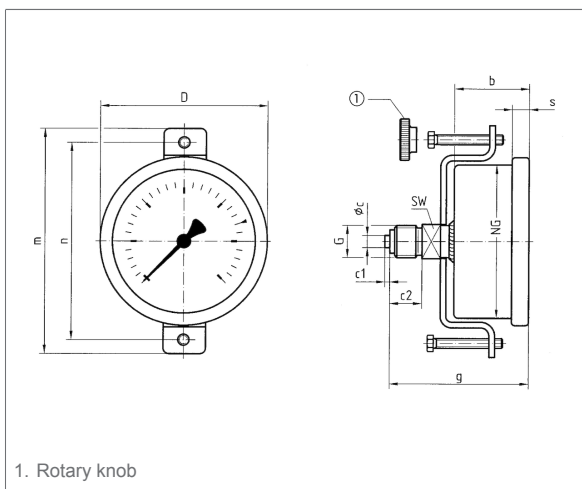
**NG 63 – centre back connection, 3-hole fixing, panel mounting bezel**



**NG 50 – bottom back connection, with clamp fixing**



**NG 63 – centre back connection, with clamp fixing**



1. Rotary knob



**Dimensions (mm)**

NG	a	b	∅c	c1	c2	D	G	h	s	SW
50	10,5	28	5	2	13	53	G $\frac{1}{4}$ B	46	4,5	14
63	11,5	32	5	2	13	68	G $\frac{1}{4}$ B	53	7	14

**Dimensions (mm)**

NG	b	∅c	c1	c2	D	G	g	s	SW
40	30	4	2	10	44	G $\frac{1}{8}$ B	50	4,5	14

**Dimensions (mm)**

NG	b	∅c	c1	c2	D	e	G	g	s	SW
50	28	5	2	13	53	12,5	G $\frac{1}{4}$ B	51	4,5	14

**Dimensions (mm)**

NG	b	∅c	c1	c2	D	G	g	s	SW
63	32	5	2	13	68	G $\frac{1}{4}$ B	56	7	14

**Dimensions (mm)**

NG	b	∅c	c1	c2	d1*	d2*	d3*	D	e	G	g	s	s2	SW
50	28	5	2	13	60	70	3,6	53	12,5	G $\frac{1}{4}$ B	51	4,5	2,5	14

**Dimensions (mm)**

NG	b	∅c	c1	c2	d1*	d2*	d3*	d4	D	G	g	s1	s2	SW
63	32	5	2	13	75	85	3,6	64	68	G $\frac{1}{4}$ B	56	5,5	2	14

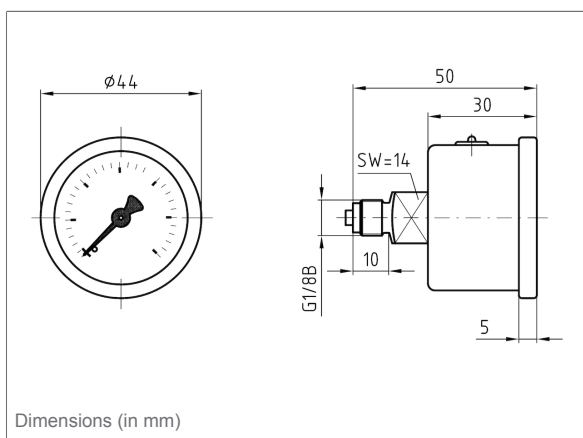
**Dimensions (mm)**

NG	b	∅c	c1	c2	D	e	G	g	m	s	SW
50	28	5	2	13	53	12,5	G $\frac{1}{4}$ B	51	59	4,5	14

**Dimensions (mm)**

NG	b	∅c	c1	c2	D	G	g	m	n	s	SW
63	32	5	2	13	68	G $\frac{1}{4}$ B	56	94	82	7	14

**NG 40 - centre back connection**

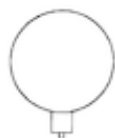




## Versions

### RF50Ch D902

Housing $\varnothing$	Connection	Alignment	Housing	Accuracy class	Range	Type	Part no.
50 mm	G $\frac{1}{4}$ B	Bottom	Stainless steel 304	1,6	-1/0 bar	RF50Ch D902	85051902
50 mm	G $\frac{1}{4}$ B	Bottom	Stainless steel 304	1,6	-1/+0.6 bar	RF50Ch D902	85052902
50 mm	G $\frac{1}{4}$ B	Bottom	Stainless steel 304	1,6	-1/+1.5 bar	RF50Ch D902	85053902
50 mm	G $\frac{1}{4}$ B	Bottom	Stainless steel 304	1,6	-1/+3 bar	RF50Ch D902	85054902
50 mm	G $\frac{1}{4}$ B	Bottom	Stainless steel 304	1,6	-1/+5 bar	RF50Ch D902	85055902
50 mm	G $\frac{1}{4}$ B	Bottom	Stainless steel 304	1,6	-1/+9 bar	RF50Ch D902	85056902
50 mm	G $\frac{1}{4}$ B	Bottom	Stainless steel 304	1,6	-1/+15 bar	RF50Ch D902	85057902
50 mm	G $\frac{1}{4}$ B	Bottom	Stainless steel 304	1,6	0/0.6 bar	RF50Ch D902	85059902
50 mm	G $\frac{1}{4}$ B	Bottom	Stainless steel 304	1,6	0/1 bar	RF50Ch D902	85060902
50 mm	G $\frac{1}{4}$ B	Bottom	Stainless steel 304	1,6	0/1.6 bar	RF50Ch D902	85061902
50 mm	G $\frac{1}{4}$ B	Bottom	Stainless steel 304	1,6	0/2.5 bar	RF50Ch D902	85062902
50 mm	G $\frac{1}{4}$ B	Bottom	Stainless steel 304	1,6	0/4 bar	RF50Ch D902	85063902
50 mm	G $\frac{1}{4}$ B	Bottom	Stainless steel 304	1,6	0/6 bar	RF50Ch D902	85064902
50 mm	G $\frac{1}{4}$ B	Bottom	Stainless steel 304	1,6	0/10 bar	RF50Ch D902	85065902
50 mm	G $\frac{1}{4}$ B	Bottom	Stainless steel 304	1,6	0/16 bar	RF50Ch D902	85066902
50 mm	G $\frac{1}{4}$ B	Bottom	Stainless steel 304	1,6	0/25 bar	RF50Ch D902	85067902
50 mm	G $\frac{1}{4}$ B	Bottom	Stainless steel 304	1,6	0/40 bar	RF50Ch D902	85068902
50 mm	G $\frac{1}{4}$ B	Bottom	Stainless steel 304	1,6	0/60 bar	RF50Ch D902	85069902
50 mm	G $\frac{1}{4}$ B	Bottom	Stainless steel 304	1,6	0/100 bar	RF50Ch D902	85070902
50 mm	G $\frac{1}{4}$ B	Bottom	Stainless steel 304	1,6	0/160 bar	RF50Ch D902	85071902
50 mm	G $\frac{1}{4}$ B	Bottom	Stainless steel 304	1,6	0/250 bar	RF50Ch D902	85072902
50 mm	G $\frac{1}{4}$ B	Bottom	Stainless steel 304	1,6	0/400 bar	RF50Ch D902	85073902
50 mm	G $\frac{1}{4}$ B	Bottom	Stainless steel 304	1,6	0/600 bar	RF50Ch D902	85074902

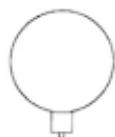


Blue part no. = in-stock items



RF63Ch D902

Housing $\varnothing$	Connection	Alignment	Housing	Accuracy class	Range	Type	Part no.
63 mm	G $\frac{1}{4}$ B	Bottom	Stainless steel 304	1,6	-1/0 bar	RF63Ch D902	85101902
63 mm	G $\frac{1}{4}$ B	Bottom	Stainless steel 304	1,6	-1/+0.6 bar	RF63Ch D902	85102902
63 mm	G $\frac{1}{4}$ B	Bottom	Stainless steel 304	1,6	-1/+1.5 bar	RF63Ch D902	85103902
63 mm	G $\frac{1}{4}$ B	Bottom	Stainless steel 304	1,6	-1/+3 bar	RF63Ch D902	85104902
63 mm	G $\frac{1}{4}$ B	Bottom	Stainless steel 304	1,6	-1/+5 bar	RF63Ch D902	85105902
63 mm	G $\frac{1}{4}$ B	Bottom	Stainless steel 304	1,6	-1/+9 bar	RF63Ch D902	85106902
63 mm	G $\frac{1}{4}$ B	Bottom	Stainless steel 304	1,6	-1/+15 bar	RF63Ch D902	85107902
63 mm	G $\frac{1}{4}$ B	Bottom	Stainless steel 304	1,6	0/0.6 bar	RF63Ch D902	85109902
63 mm	G $\frac{1}{4}$ B	Bottom	Stainless steel 304	1,6	0/1 bar	RF63Ch D902	85110902
63 mm	G $\frac{1}{4}$ B	Bottom	Stainless steel 304	1,6	0/1.6 bar	RF63Ch D902	85111902
63 mm	G $\frac{1}{4}$ B	Bottom	Stainless steel 304	1,6	0/2.5 bar	RF63Ch D902	85112902
63 mm	G $\frac{1}{4}$ B	Bottom	Stainless steel 304	1,6	0/4 bar	RF63Ch D902	85113902
63 mm	G $\frac{1}{4}$ B	Bottom	Stainless steel 304	1,6	0/6 bar	RF63Ch D902	85114902
63 mm	G $\frac{1}{4}$ B	Bottom	Stainless steel 304	1,6	0/10 bar	RF63Ch D902	85115902
63 mm	G $\frac{1}{4}$ B	Bottom	Stainless steel 304	1,6	0/16 bar	RF63Ch D902	85116902
63 mm	G $\frac{1}{4}$ B	Bottom	Stainless steel 304	1,6	0/25 bar	RF63Ch D902	85117902
63 mm	G $\frac{1}{4}$ B	Bottom	Stainless steel 304	1,6	0/40 bar	RF63Ch D902	85118902
63 mm	G $\frac{1}{4}$ B	Bottom	Stainless steel 304	1,6	0/60 bar	RF63Ch D902	85119902
63 mm	G $\frac{1}{4}$ B	Bottom	Stainless steel 304	1,6	0/100 bar	RF63Ch D902	85120902
63 mm	G $\frac{1}{4}$ B	Bottom	Stainless steel 304	1,6	0/160 bar	RF63Ch D902	85121902
63 mm	G $\frac{1}{4}$ B	Bottom	Stainless steel 304	1,6	0/250 bar	RF63Ch D902	85122902
63 mm	G $\frac{1}{4}$ B	Bottom	Stainless steel 304	1,6	0/400 bar	RF63Ch D902	85123902
63 mm	G $\frac{1}{4}$ B	Bottom	Stainless steel 304	1,6	0/600 bar	RF63Ch D902	85124902
63 mm	G $\frac{1}{4}$ B	Bottom	Stainless steel 304	1,6	0/1,000 bar	RF63Ch D902	85125902

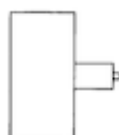


Blue part no. = in-stock items



### RF40Ch D912

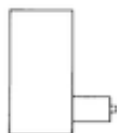
Housing $\varnothing$	Connection	Alignment	Housing	Accuracy class	Range	Type	Part no.
40 mm	G $\frac{1}{4}$ B	Centre back	Stainless steel 304	2,5	0/1.6 bar	RF40Ch D912	85011912
40 mm	G $\frac{1}{4}$ B	Centre back	Stainless steel 304	2,5	0/2.5 bar	RF40Ch D912	85012912
40 mm	G $\frac{1}{4}$ B	Centre back	Stainless steel 304	2,5	0/4 bar	RF40Ch D912	85013912
40 mm	G $\frac{1}{4}$ B	Centre back	Stainless steel 304	2,5	0/6 bar	RF40Ch D912	85014912
40 mm	G $\frac{1}{4}$ B	Centre back	Stainless steel 304	2,5	0/10 bar	RF40Ch D912	85015912
40 mm	G $\frac{1}{4}$ B	Centre back	Stainless steel 304	2,5	0/16 bar	RF40Ch D912	85016912
40 mm	G $\frac{1}{4}$ B	Centre back	Stainless steel 304	2,5	0/25 bar	RF40Ch D912	85017912
40 mm	G $\frac{1}{4}$ B	Centre back	Stainless steel 304	2,5	0/40 bar	RF40Ch D912	85018912
40 mm	G $\frac{1}{4}$ B	Centre back	Stainless steel 304	2,5	0/60 bar	RF40Ch D912	85019912
40 mm	G $\frac{1}{4}$ B	Centre back	Stainless steel 304	2,5	0/100 bar	RF40Ch D912	85020912
40 mm	G $\frac{1}{4}$ B	Centre back	Stainless steel 304	2,5	0/160 bar	RF40Ch D912	85021912
40 mm	G $\frac{1}{4}$ B	Centre back	Stainless steel 304	2,5	0/250 bar	RF40Ch D912	85022912
40 mm	G $\frac{1}{4}$ B	Centre back	Stainless steel 304	2,5	0/400 bar	RF40Ch D912	85023912



Blue part no. = in-stock items

### RF50Ch D912

Housing $\varnothing$	Connection	Alignment	Housing	Accuracy class	Range	Type	Part no.
50 mm	G $\frac{1}{4}$ B	Bottom back	Stainless steel 304	1,6	-1/0 bar	RF50Ch D912	85051912
50 mm	G $\frac{1}{4}$ B	Bottom back	Stainless steel 304	1,6	-1/+0.6 bar	RF50Ch D912	85052912
50 mm	G $\frac{1}{4}$ B	Bottom back	Stainless steel 304	1,6	-1/+1.5 bar	RF50Ch D912	85053912
50 mm	G $\frac{1}{4}$ B	Bottom back	Stainless steel 304	1,6	-1/+3 bar	RF50Ch D912	85054912
50 mm	G $\frac{1}{4}$ B	Bottom back	Stainless steel 304	1,6	-1/+5 bar	RF50Ch D912	85055912
50 mm	G $\frac{1}{4}$ B	Bottom back	Stainless steel 304	1,6	-1/+9 bar	RF50Ch D912	85056912
50 mm	G $\frac{1}{4}$ B	Bottom back	Stainless steel 304	1,6	-1/+15 bar	RF50Ch D912	85057912
50 mm	G $\frac{1}{4}$ B	Bottom back	Stainless steel 304	1,6	0/0.6 bar	RF50Ch D912	85059912
50 mm	G $\frac{1}{4}$ B	Bottom back	Stainless steel 304	1,6	0/1 bar	RF50Ch D912	85060912
50 mm	G $\frac{1}{4}$ B	Bottom back	Stainless steel 304	1,6	0/1.6 bar	RF50Ch D912	85061912
50 mm	G $\frac{1}{4}$ B	Bottom back	Stainless steel 304	1,6	0/2.5 bar	RF50Ch D912	85062912
50 mm	G $\frac{1}{4}$ B	Bottom back	Stainless steel 304	1,6	0/4 bar	RF50Ch D912	85063912



Blue part no. = in-stock items



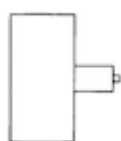
Housing <sup>ø</sup>	Connection	Alignment	Housing	Accuracy class	Range	Type	Part no.
50 mm	G¼B	Bottom back	Stainless steel 304	1,6	0/6 bar	RF50Ch D912	85064912
50 mm	G¼B	Bottom back	Stainless steel 304	1,6	0/10 bar	RF50Ch D912	85065912
50 mm	G¼B	Bottom back	Stainless steel 304	1,6	0/16 bar	RF50Ch D912	85066912
50 mm	G¼B	Bottom back	Stainless steel 304	1,6	0/25 bar	RF50Ch D912	85067912
50 mm	G¼B	Bottom back	Stainless steel 304	1,6	0/40 bar	RF50Ch D912	85068912
50 mm	G¼B	Bottom back	Stainless steel 304	1,6	0/60 bar	RF50Ch D912	85069912
50 mm	G¼B	Bottom back	Stainless steel 304	1,6	0/100 bar	RF50Ch D912	85070912
50 mm	G¼B	Bottom back	Stainless steel 304	1,6	0/160 bar	RF50Ch D912	85071912
50 mm	G¼B	Bottom back	Stainless steel 304	1,6	0/250 bar	RF50Ch D912	85072912
50 mm	G¼B	Bottom back	Stainless steel 304	1,6	0/400 bar	RF50Ch D912	85073912
50 mm	G¼B	Bottom back	Stainless steel 304	1,6	0/600 bar	RF50Ch D912	85074912

Blue part no. = in-stock items

#### RF63Ch D912

Housing <sup>ø</sup>	Connection	Alignment	Housing	Accuracy class	Range	Type	Part no.
63 mm	G¼B	Centre back	Stainless steel 304	1,6	-1/0 bar	RF63Ch D912	85101912
63 mm	G¼B	Centre back	Stainless steel 304	1,6	-1/+0.6 bar	RF63Ch D912	85102912
63 mm	G¼B	Centre back	Stainless steel 304	1,6	-1/+1.5 bar	RF63Ch D912	85103912
63 mm	G¼B	Centre back	Stainless steel 304	1,6	-1/+3 bar	RF63Ch D912	85104912
63 mm	G¼B	Centre back	Stainless steel 304	1,6	-1/+5 bar	RF63Ch D912	85105912
63 mm	G¼B	Centre back	Stainless steel 304	1,6	-1/+9 bar	RF63Ch D912	85106912
63 mm	G¼B	Centre back	Stainless steel 304	1,6	-1/+15 bar	RF63Ch D912	85107912
63 mm	G¼B	Centre back	Stainless steel 304	1,6	0/0.6 bar	RF63Ch D912	85109912
63 mm	G¼B	Centre back	Stainless steel 304	1,6	0/1 bar	RF63Ch D912	85110912
63 mm	G¼B	Centre back	Stainless steel 304	1,6	0/1.6 bar	RF63Ch D912	85111912
63 mm	G¼B	Centre back	Stainless steel 304	1,6	0/2.5 bar	RF63Ch D912	85112912
63 mm	G¼B	Centre back	Stainless steel 304	1,6	0/4 bar	RF63Ch D912	85113912
63 mm	G¼B	Centre back	Stainless steel 304	1,6	0/6 bar	RF63Ch D912	85114912
63 mm	G¼B	Centre back	Stainless steel 304	1,6	0/10 bar	RF63Ch D912	85115912
63 mm	G¼B	Centre back	Stainless steel 304	1,6	0/16 bar	RF63Ch D912	85116912

Blue part no. = in-stock items







Housing <sup>⊗</sup>	Connection	Alignment	Housing	Accuracy class	Range	Type	Part no.
63 mm	G¼B	Centre back	Stainless steel 304	1,6	0/25 bar	RF63Ch D912	<a href="#">85117912</a>
63 mm	G¼B	Centre back	Stainless steel 304	1,6	0/40 bar	RF63Ch D912	85118912
63 mm	G¼B	Centre back	Stainless steel 304	1,6	0/60 bar	RF63Ch D912	85119912
63 mm	G¼B	Centre back	Stainless steel 304	1,6	0/100 bar	RF63Ch D912	85120912
63 mm	G¼B	Centre back	Stainless steel 304	1,6	0/160 bar	RF63Ch D912	85121912
63 mm	G¼B	Centre back	Stainless steel 304	1,6	0/250 bar	RF63Ch D912	85122912
63 mm	G¼B	Centre back	Stainless steel 304	1,6	0/400 bar	RF63Ch D912	85123912
63 mm	G¼B	Centre back	Stainless steel 304	1,6	0/600 bar	RF63Ch D912	85124912
63 mm	G¼B	Centre back	Stainless steel 304	1,6	0/1,000 bar	RF63Ch D912	85125912

Blue part no. = in-stock items

#### RF50Ch D932

Housing <sup>⊗</sup>	Connection	Alignment	Housing	Accuracy class	Range	Type	Part no.
50 mm	G¼B	Bottom back	Stainless steel 304	1,6	-1/0 bar	RF50Ch D932	85051932
50 mm	G¼B	Bottom back	Stainless steel 304	1,6	-1/+0.6 bar	RF50Ch D932	85052932
50 mm	G¼B	Bottom back	Stainless steel 304	1,6	-1/+1.5 bar	RF50Ch D932	85053932
50 mm	G¼B	Bottom back	Stainless steel 304	1,6	-1/+3 bar	RF50Ch D932	85054932
50 mm	G¼B	Bottom back	Stainless steel 304	1,6	-1/+5 bar	RF50Ch D932	85055932
50 mm	G¼B	Bottom back	Stainless steel 304	1,6	-1/+9 bar	RF50Ch D932	85056932
50 mm	G¼B	Bottom back	Stainless steel 304	1,6	-1/+15 bar	RF50Ch D932	85057932
50 mm	G¼B	Bottom back	Stainless steel 304	1,6	0/0.6 bar	RF50Ch D932	85059932
50 mm	G¼B	Bottom back	Stainless steel 304	1,6	0/1 bar	RF50Ch D932	85060932
50 mm	G¼B	Bottom back	Stainless steel 304	1,6	0/1.6 bar	RF50Ch D932	85061932
50 mm	G¼B	Bottom back	Stainless steel 304	1,6	0/2.5 bar	RF50Ch D932	85062932
50 mm	G¼B	Bottom back	Stainless steel 304	1,6	0/4 bar	RF50Ch D932	85063932
50 mm	G¼B	Bottom back	Stainless steel 304	1,6	0/6 bar	RF50Ch D932	85064932
50 mm	G¼B	Bottom back	Stainless steel 304	1,6	0/10 bar	RF50Ch D932	85065932
50 mm	G¼B	Bottom back	Stainless steel 304	1,6	0/16 bar	RF50Ch D932	85066932
50 mm	G¼B	Bottom back	Stainless steel 304	1,6	0/25 bar	RF50Ch D932	85067932
50 mm	G¼B	Bottom back	Stainless steel 304	1,6	0/40 bar	RF50Ch D932	85068932

Blue part no. = in-stock items





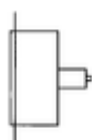
Housing $\varnothing$	Connection	Alignment	Housing	Accuracy class	Range	Type	Part no.
50 mm	G $\frac{1}{4}$ B	Bottom back	Stainless steel 304	1,6	0/60 bar	RF50Ch D932	85069932
50 mm	G $\frac{1}{4}$ B	Bottom back	Stainless steel 304	1,6	0/100 bar	RF50Ch D932	85070932
50 mm	G $\frac{1}{4}$ B	Bottom back	Stainless steel 304	1,6	0/160 bar	RF50Ch D932	85071932
50 mm	G $\frac{1}{4}$ B	Bottom back	Stainless steel 304	1,6	0/250 bar	RF50Ch D932	85072932
50 mm	G $\frac{1}{4}$ B	Bottom back	Stainless steel 304	1,6	0/400 bar	RF50Ch D932	85073932
50 mm	G $\frac{1}{4}$ B	Bottom back	Stainless steel 304	1,6	0/600 bar	RF50Ch D932	85074932

Blue part no. = in-stock items

### RF63Ch D932

Housing $\varnothing$	Connection	Alignment	Housing	Accuracy class	Range	Type	Part no.
63 mm	G $\frac{1}{4}$ B	Centre back	Stainless steel 304	1,6	-1/0 bar	RF63Ch D932	85101932
63 mm	G $\frac{1}{4}$ B	Centre back	Stainless steel 304	1,6	-1/+0.6 bar	RF63Ch D932	85102932
63 mm	G $\frac{1}{4}$ B	Centre back	Stainless steel 304	1,6	-1/+1.5 bar	RF63Ch D932	85103932
63 mm	G $\frac{1}{4}$ B	Centre back	Stainless steel 304	1,6	-1/+3 bar	RF63Ch D932	85104932
63 mm	G $\frac{1}{4}$ B	Centre back	Stainless steel 304	1,6	-1/+5 bar	RF63Ch D932	85105932
63 mm	G $\frac{1}{4}$ B	Centre back	Stainless steel 304	1,6	-1/+9 bar	RF63Ch D932	85106932
63 mm	G $\frac{1}{4}$ B	Centre back	Stainless steel 304	1,6	-1/+15 bar	RF63Ch D932	85107932
63 mm	G $\frac{1}{4}$ B	Centre back	Stainless steel 304	1,6	0/0.6 bar	RF63Ch D932	85109932
63 mm	G $\frac{1}{4}$ B	Centre back	Stainless steel 304	1,6	0/1 bar	RF63Ch D932	85110932
63 mm	G $\frac{1}{4}$ B	Centre back	Stainless steel 304	1,6	0/1.6 bar	RF63Ch D932	85111932
63 mm	G $\frac{1}{4}$ B	Centre back	Stainless steel 304	1,6	0/2.5 bar	RF63Ch D932	85112932
63 mm	G $\frac{1}{4}$ B	Centre back	Stainless steel 304	1,6	0/4 bar	RF63Ch D932	85113932
63 mm	G $\frac{1}{4}$ B	Centre back	Stainless steel 304	1,6	0/6 bar	RF63Ch D932	85114932
63 mm	G $\frac{1}{4}$ B	Centre back	Stainless steel 304	1,6	0/10 bar	RF63Ch D932	85115932
63 mm	G $\frac{1}{4}$ B	Centre back	Stainless steel 304	1,6	0/16 bar	RF63Ch D932	85116932
63 mm	G $\frac{1}{4}$ B	Centre back	Stainless steel 304	1,6	0/25 bar	RF63Ch D932	85117932
63 mm	G $\frac{1}{4}$ B	Centre back	Stainless steel 304	1,6	0/40 bar	RF63Ch D932	85118932
63 mm	G $\frac{1}{4}$ B	Centre back	Stainless steel 304	1,6	0/60 bar	RF63Ch D932	85119932
63 mm	G $\frac{1}{4}$ B	Centre back	Stainless steel 304	1,6	0/100 bar	RF63Ch D932	85120932
63 mm	G $\frac{1}{4}$ B	Centre back	Stainless steel 304	1,6	0/160 bar	RF63Ch D932	85121932

Blue part no. = in-stock items





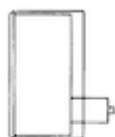
Housing <sup>ø</sup>	Connection	Alignment	Housing	Accuracy class	Range	Type	Part no.
63 mm	G¼B	Centre back	Stainless steel 304	1,6	0/250 bar	RF63Ch D932	85122932
63 mm	G¼B	Centre back	Stainless steel 304	1,6	0/400 bar	RF63Ch D932	85123932
63 mm	G¼B	Centre back	Stainless steel 304	1,6	0/600 bar	RF63Ch D932	85124932
63 mm	G¼B	Centre back	Stainless steel 304	1,6	0/1,000 bar	RF63Ch D932	85125932

Blue part no. = in-stock items

#### RF50Ch D952

Housing <sup>ø</sup>	Connection	Alignment	Housing	Accuracy class	Range	Type	Part no.
50 mm	G¼B	Bottom back	Stainless steel 304	1,6	-1/0 bar	RF50Ch D952	85051952
50 mm	G¼B	Bottom back	Stainless steel 304	1,6	-1/+0.6 bar	RF50Ch D952	85052952
50 mm	G¼B	Bottom back	Stainless steel 304	1,6	-1/+1.5 bar	RF50Ch D952	85053952
50 mm	G¼B	Bottom back	Stainless steel 304	1,6	-1/+3 bar	RF50Ch D952	85054952
50 mm	G¼B	Bottom back	Stainless steel 304	1,6	-1/+5 bar	RF50Ch D952	85055952
50 mm	G¼B	Bottom back	Stainless steel 304	1,6	-1/+9 bar	RF50Ch D952	85056952
50 mm	G¼B	Bottom back	Stainless steel 304	1,6	-1/+15 bar	RF50Ch D952	85057952
50 mm	G¼B	Bottom back	Stainless steel 304	1,6	0/0.6 bar	RF50Ch D952	85059952
50 mm	G¼B	Bottom back	Stainless steel 304	1,6	0/1 bar	RF50Ch D952	85060952
50 mm	G¼B	Bottom back	Stainless steel 304	1,6	0/1.6 bar	RF50Ch D952	85061952
50 mm	G¼B	Bottom back	Stainless steel 304	1,6	0/2.5 bar	RF50Ch D952	85062952
50 mm	G¼B	Bottom back	Stainless steel 304	1,6	0/4 bar	RF50Ch D952	85063952
50 mm	G¼B	Bottom back	Stainless steel 304	1,6	0/6 bar	RF50Ch D952	85064952
50 mm	G¼B	Bottom back	Stainless steel 304	1,6	0/10 bar	RF50Ch D952	85065952
50 mm	G¼B	Bottom back	Stainless steel 304	1,6	0/16 bar	RF50Ch D952	85066952
50 mm	G¼B	Bottom back	Stainless steel 304	1,6	0/25 bar	RF50Ch D952	85067952
50 mm	G¼B	Bottom back	Stainless steel 304	1,6	0/40 bar	RF50Ch D952	85068952
50 mm	G¼B	Bottom back	Stainless steel 304	1,6	0/60 bar	RF50Ch D952	85069952
50 mm	G¼B	Bottom back	Stainless steel 304	1,6	0/100 bar	RF50Ch D952	85070952
50 mm	G¼B	Bottom back	Stainless steel 304	1,6	0/160 bar	RF50Ch D952	85071952

Blue part no. = in-stock items





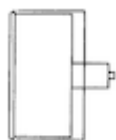
Housing <sup>⊗</sup>	Connection	Alignment	Housing	Accuracy class	Range	Type	Part no.
50 mm	G¼B	Bottom back	Stainless steel 304	1,6	0/250 bar	RF50Ch D952	85072952
50 mm	G¼B	Bottom back	Stainless steel 304	1,6	0/400 bar	RF50Ch D952	85073952
50 mm	G¼B	Bottom back	Stainless steel 304	1,6	0/600 bar	RF50Ch D952	85074952

Blue part no. = in-stock items

#### RF63Ch D952

Housing <sup>⊗</sup>	Connection	Alignment	Housing	Accuracy class	Range	Type	Part no.
63 mm	G¼B	Centre back	Stainless steel 304	1,6	-1/0 bar	RF63Ch D952	85101952
63 mm	G¼B	Centre back	Stainless steel 304	1,6	-1/+0.6 bar	RF63Ch D952	85102952
63 mm	G¼B	Centre back	Stainless steel 304	1,6	-1/+1.5 bar	RF63Ch D952	85103952
63 mm	G¼B	Centre back	Stainless steel 304	1,6	-1/+3 bar	RF63Ch D952	85104952
63 mm	G¼B	Centre back	Stainless steel 304	1,6	-1/+5 bar	RF63Ch D952	85105952
63 mm	G¼B	Centre back	Stainless steel 304	1,6	-1/+9 bar	RF63Ch D952	85106952
63 mm	G¼B	Centre back	Stainless steel 304	1,6	-1/+15 bar	RF63Ch D952	85107952
63 mm	G¼B	Centre back	Stainless steel 304	1,6	0/0.6 bar	RF63Ch D952	85109952
63 mm	G¼B	Centre back	Stainless steel 304	1,6	0/1 bar	RF63Ch D952	85110952
63 mm	G¼B	Centre back	Stainless steel 304	1,6	0/1.6 bar	RF63Ch D952	85111952
63 mm	G¼B	Centre back	Stainless steel 304	1,6	0/2.5 bar	RF63Ch D952	85112952
63 mm	G¼B	Centre back	Stainless steel 304	1,6	0/4 bar	RF63Ch D952	85113952
63 mm	G¼B	Centre back	Stainless steel 304	1,6	0/6 bar	RF63Ch D952	<a href="#">85114952</a>
63 mm	G¼B	Centre back	Stainless steel 304	1,6	0/10 bar	RF63Ch D952	<a href="#">85115952</a>
63 mm	G¼B	Centre back	Stainless steel 304	1,6	0/16 bar	RF63Ch D952	<a href="#">85116952</a>
63 mm	G¼B	Centre back	Stainless steel 304	1,6	0/25 bar	RF63Ch D952	<a href="#">85117952</a>
63 mm	G¼B	Centre back	Stainless steel 304	1,6	0/40 bar	RF63Ch D952	85118952
63 mm	G¼B	Centre back	Stainless steel 304	1,6	0/60 bar	RF63Ch D952	85119952
63 mm	G¼B	Centre back	Stainless steel 304	1,6	0/100 bar	RF63Ch D952	85120952
63 mm	G¼B	Centre back	Stainless steel 304	1,6	0/160 bar	RF63Ch D952	85121952
63 mm	G¼B	Centre back	Stainless steel 304	1,6	0/250 bar	RF63Ch D952	85122952

Blue part no. = in-stock items





Housing <sup>⊗</sup>	Connection	Alignment	Housing	Accuracy class	Range	Type	Part no.
63 mm	G¼B	Centre back	Stainless steel 304	1,6	0/400 bar	RF63Ch D952	85123952
63 mm	G¼B	Centre back	Stainless steel 304	1,6	0/600 bar	RF63Ch D952	85124952
63 mm	G¼B	Centre back	Stainless steel 304	1,6	0/1,000 bar	RF63Ch D952	85125952

Blue part no. = in-stock items