



Standard Bourdon tube pressure gauges Process Gauges Type D1



Benefits

- Extremely robust pressure gauge for offshore and onshore applications
- Glass-fibre reinforced safety housing with solid baffle wall and blow-out
- Integrated pressure compensation diaphragm
- Tightness-tested with helium
- GOSSTANDART-certified

Application

For corrosive gaseous and liquid media which are not highly viscous and do not crystallise. Specially suitable for the oil and chemical industries.

Technical specifications

Type
D1

Nominal size
4.5

Accuracy class (ASME B 40.100)
Grade 2A (correspond to an accuracy of 0.5 %)

Ranges (EN 837-1/5)
See ordering table

Application area

Static load:	Full scale value
Dynamic load:	0.9 x full scale value
Short-term:	1.3 x full scale value

Operating temperature range

Medium:	Max. 100 °C
Ambient:	-40/+65 °C

Temperature performance
Indication error when the temperature of the measuring system deviates from the normal temperature of 20 °C:
at rising temperature approx. $\pm 0.4 \text{ \%}/10 \text{ K}$
falling temperature approx. $\pm 0.4 \text{ \%}/10 \text{ K}$
of full scale value

Degree of protection
IP 67 (EN 60529)



Standard version

Connection

Brass: D101
Brass: D111
Stainless steel 316 L: D102
Stainless steel 316 L: D112
Bottom or bottom
back

Measuring element

Bourdon tube, stainless steel 316 Ti/316 L
≤ 60 bar: "C" type tube
> 60 bar: Helical tube
Tightness-tested with helium

Movement

Stainless steel

Dial

Aluminium, white
Scaling black

Pointer

Micro-adjustable pointer
Brass, black

Housing

PP-GF20, black
With solid baffle wall and blow-out,
Integrated back flange

Screw type bezel

PP-GF20, black Internal

Window

Plastic (PMMA)

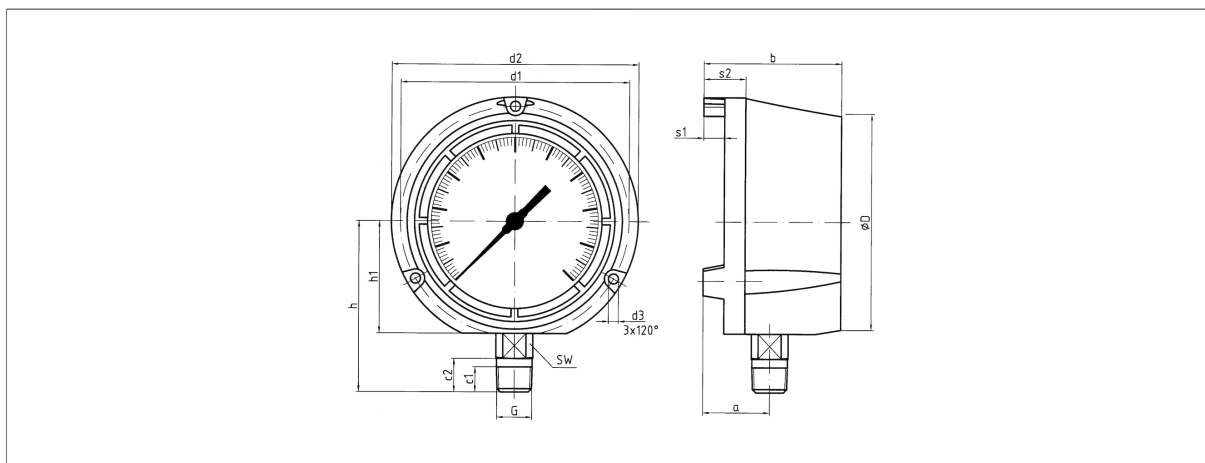
Options

- Glycerine filling (type D 6)
- Silicone oil filling (type D 6)
- Measuring system copper alloy (type 1x1)
- Measuring system Monel (type 1x3)
- Laminated safety glass window
- Reference pointer
- Maximum pointer
- Electrical contacts
- Special scales
- Other process connections

Technical drawings



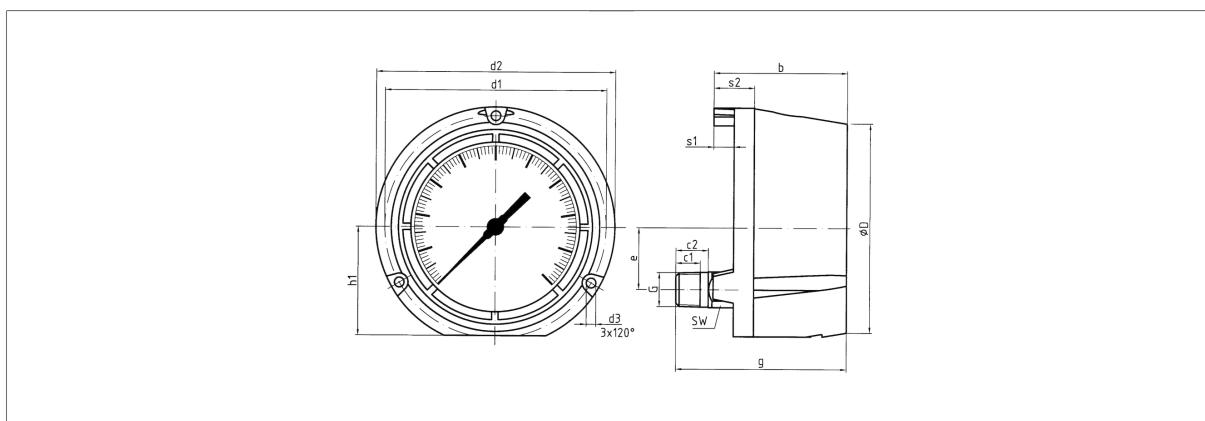
Bottom connection



Dimensions (mm)

NG	a	b	c1	c2	d1	d2	d3	ØD	G	h	h1	s1	s2	SW
4½"	40	82,5	15	20	137	148	6	129	½-14 NPT	102	67	12,5	25	22

Centre back connection



Dimensions (mm)

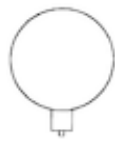
NG	b	c1	c2	d1	d2	d3	ØD	e	G	g	h1	s1	s2	SW
4½"	82,5	15	20	137	148	6	129	38	½-14 NPT	105,5	67	12,5	25	22



Versions

RF130PG D101

Housing \varnothing	Connection	Alignment	Housing	Accuracy class	Range	Type	Part no.
4.5 "	½-14 NPT	Bottom	PP-GF20, black	Grade 2A	-1/0 bar	RF130PG D101	87901101
4.5 "	½-14 NPT	Bottom	PP-GF20, black	Grade 2A	-1/+0.6 bar	RF130PG D101	87902101
4.5 "	½-14 NPT	Bottom	PP-GF20, black	Grade 2A	-1/+1.5 bar	RF130PG D101	87903101
4.5 "	½-14 NPT	Bottom	PP-GF20, black	Grade 2A	-1/+3 bar	RF130PG D101	87904101
4.5 "	½-14 NPT	Bottom	PP-GF20, black	Grade 2A	-1/+5 bar	RF130PG D101	87905101
4.5 "	½-14 NPT	Bottom	PP-GF20, black	Grade 2A	-1/+9 bar	RF130PG D101	87906101
4.5 "	½-14 NPT	Bottom	PP-GF20, black	Grade 2A	-1/+15 bar	RF130PG D101	87907101
4.5 "	½-14 NPT	Bottom	PP-GF20, black	Grade 2A	0/0.6 bar	RF130PG D101	87909101
4.5 "	½-14 NPT	Bottom	PP-GF20, black	Grade 2A	0/1 bar	RF130PG D101	87910101
4.5 "	½-14 NPT	Bottom	PP-GF20, black	Grade 2A	0/1.6 bar	RF130PG D101	87911101
4.5 "	½-14 NPT	Bottom	PP-GF20, black	Grade 2A	0/2.5 bar	RF130PG D101	87912101
4.5 "	½-14 NPT	Bottom	PP-GF20, black	Grade 2A	0/4 bar	RF130PG D101	87913101
4.5 "	½-14 NPT	Bottom	PP-GF20, black	Grade 2A	0/6 bar	RF130PG D101	87914101
4.5 "	½-14 NPT	Bottom	PP-GF20, black	Grade 2A	0/10 bar	RF130PG D101	87915101
4.5 "	½-14 NPT	Bottom	PP-GF20, black	Grade 2A	0/16 bar	RF130PG D101	87916101
4.5 "	½-14 NPT	Bottom	PP-GF20, black	Grade 2A	0/25 bar	RF130PG D101	87917101
4.5 "	½-14 NPT	Bottom	PP-GF20, black	Grade 2A	0/40 bar	RF130PG D101	87918101
4.5 "	½-14 NPT	Bottom	PP-GF20, black	Grade 2A	0/60 bar	RF130PG D101	87919101
4.5 "	½-14 NPT	Bottom	PP-GF20, black	Grade 2A	0/100 bar	RF130PG D101	87920101
4.5 "	½-14 NPT	Bottom	PP-GF20, black	Grade 2A	0/160 bar	RF130PG D101	87921101
4.5 "	½-14 NPT	Bottom	PP-GF20, black	Grade 2A	0/250 bar	RF130PG D101	87922101
4.5 "	½-14 NPT	Bottom	PP-GF20, black	Grade 2A	0/400 bar	RF130PG D101	87923101
4.5 "	½-14 NPT	Bottom	PP-GF20, black	Grade 2A	0/600 bar	RF130PG D101	87924101

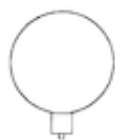


Blue part no. = in-stock items



RF130PG D102

Housing \varnothing	Connection	Alignment	Housing	Accuracy class	Range	Type	Part no.
4.5 "	½-14 NPT	Bottom	PP-GF20, black	Grade 2A	-1/0 bar	RF130PG D102	87901102
4.5 "	½-14 NPT	Bottom	PP-GF20, black	Grade 2A	-1/+0.6 bar	RF130PG D102	87902102
4.5 "	½-14 NPT	Bottom	PP-GF20, black	Grade 2A	-1/+1.5 bar	RF130PG D102	87903102
4.5 "	½-14 NPT	Bottom	PP-GF20, black	Grade 2A	-1/+3 bar	RF130PG D102	87904102
4.5 "	½-14 NPT	Bottom	PP-GF20, black	Grade 2A	-1/+5 bar	RF130PG D102	87905102
4.5 "	½-14 NPT	Bottom	PP-GF20, black	Grade 2A	-1/+9 bar	RF130PG D102	87906102
4.5 "	½-14 NPT	Bottom	PP-GF20, black	Grade 2A	-1/+15 bar	RF130PG D102	87907102
4.5 "	½-14 NPT	Bottom	PP-GF20, black	Grade 2A	0/0.6 bar	RF130PG D102	87909102
4.5 "	½-14 NPT	Bottom	PP-GF20, black	Grade 2A	0/1 bar	RF130PG D102	87910102
4.5 "	½-14 NPT	Bottom	PP-GF20, black	Grade 2A	0/1.6 bar	RF130PG D102	87911102
4.5 "	½-14 NPT	Bottom	PP-GF20, black	Grade 2A	0/2.5 bar	RF130PG D102	87912102
4.5 "	½-14 NPT	Bottom	PP-GF20, black	Grade 2A	0/4 bar	RF130PG D102	87913102
4.5 "	½-14 NPT	Bottom	PP-GF20, black	Grade 2A	0/6 bar	RF130PG D102	87914102
4.5 "	½-14 NPT	Bottom	PP-GF20, black	Grade 2A	0/10 bar	RF130PG D102	87915102
4.5 "	½-14 NPT	Bottom	PP-GF20, black	Grade 2A	0/16 bar	RF130PG D102	87916102
4.5 "	½-14 NPT	Bottom	PP-GF20, black	Grade 2A	0/25 bar	RF130PG D102	87917102
4.5 "	½-14 NPT	Bottom	PP-GF20, black	Grade 2A	0/40 bar	RF130PG D102	87918102
4.5 "	½-14 NPT	Bottom	PP-GF20, black	Grade 2A	0/60 bar	RF130PG D102	87919102
4.5 "	½-14 NPT	Bottom	PP-GF20, black	Grade 2A	0/100 bar	RF130PG D102	87920102
4.5 "	½-14 NPT	Bottom	PP-GF20, black	Grade 2A	0/160 bar	RF130PG D102	87921102
4.5 "	½-14 NPT	Bottom	PP-GF20, black	Grade 2A	0/250 bar	RF130PG D102	87922102
4.5 "	½-14 NPT	Bottom	PP-GF20, black	Grade 2A	0/400 bar	RF130PG D102	87923102
4.5 "	½-14 NPT	Bottom	PP-GF20, black	Grade 2A	0/600 bar	RF130PG D102	87924102

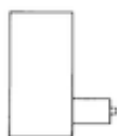


Blue part no. = in-stock items



RF130PG D111

Housing \varnothing	Connection	Alignment	Housing	Accuracy class	Range	Type	Part no.
4.5 "	½-14 NPT	Bottom back	PP-GF20, black	Grade 2A	-1/0 bar	RF130PG D111	87901111
4.5 "	½-14 NPT	Bottom back	PP-GF20, black	Grade 2A	-1/+0.6 bar	RF130PG D111	87902111
4.5 "	½-14 NPT	Bottom back	PP-GF20, black	Grade 2A	-1/+1.5 bar	RF130PG D111	87903111
4.5 "	½-14 NPT	Bottom back	PP-GF20, black	Grade 2A	-1/+3 bar	RF130PG D111	87904111
4.5 "	½-14 NPT	Bottom back	PP-GF20, black	Grade 2A	-1/+5 bar	RF130PG D111	87905111
4.5 "	½-14 NPT	Bottom back	PP-GF20, black	Grade 2A	-1/+9 bar	RF130PG D111	87906111
4.5 "	½-14 NPT	Bottom back	PP-GF20, black	Grade 2A	-1/+15 bar	RF130PG D111	87907111
4.5 "	½-14 NPT	Bottom back	PP-GF20, black	Grade 2A	0/0.6 bar	RF130PG D111	87909111
4.5 "	½-14 NPT	Bottom back	PP-GF20, black	Grade 2A	0/1 bar	RF130PG D111	87910111
4.5 "	½-14 NPT	Bottom back	PP-GF20, black	Grade 2A	0/1.6 bar	RF130PG D111	87911111
4.5 "	½-14 NPT	Bottom back	PP-GF20, black	Grade 2A	0/2.5 bar	RF130PG D111	87912111
4.5 "	½-14 NPT	Bottom back	PP-GF20, black	Grade 2A	0/4 bar	RF130PG D111	87913111
4.5 "	½-14 NPT	Bottom back	PP-GF20, black	Grade 2A	0/6 bar	RF130PG D111	87914111
4.5 "	½-14 NPT	Bottom back	PP-GF20, black	Grade 2A	0/10 bar	RF130PG D111	87915111
4.5 "	½-14 NPT	Bottom back	PP-GF20, black	Grade 2A	0/16 bar	RF130PG D111	87916111
4.5 "	½-14 NPT	Bottom back	PP-GF20, black	Grade 2A	0/25 bar	RF130PG D111	87917111
4.5 "	½-14 NPT	Bottom back	PP-GF20, black	Grade 2A	0/40 bar	RF130PG D111	87918111
4.5 "	½-14 NPT	Bottom back	PP-GF20, black	Grade 2A	0/60 bar	RF130PG D111	87919111
4.5 "	½-14 NPT	Bottom back	PP-GF20, black	Grade 2A	0/100 bar	RF130PG D111	87920111
4.5 "	½-14 NPT	Bottom back	PP-GF20, black	Grade 2A	0/160 bar	RF130PG D111	87921111
4.5 "	½-14 NPT	Bottom back	PP-GF20, black	Grade 2A	0/250 bar	RF130PG D111	87922111
4.5 "	½-14 NPT	Bottom back	PP-GF20, black	Grade 2A	0/400 bar	RF130PG D111	87923111
4.5 "	½-14 NPT	Bottom back	PP-GF20, black	Grade 2A	0/600 bar	RF130PG D111	87924111

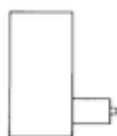


Blue part no. = in-stock items



RF130PG D112

Housing \varnothing	Connection	Alignment	Housing	Accuracy class	Range	Type	Part no.
4.5 "	½-14 NPT	Bottom back	PP-GF20, black	Grade 2A	-1/0 bar	RF130PG D112	87901112
4.5 "	½-14 NPT	Bottom back	PP-GF20, black	Grade 2A	-1/+0.6 bar	RF130PG D112	87902112
4.5 "	½-14 NPT	Bottom back	PP-GF20, black	Grade 2A	-1/+1.5 bar	RF130PG D112	87903112
4.5 "	½-14 NPT	Bottom back	PP-GF20, black	Grade 2A	-1/+3 bar	RF130PG D112	87904112
4.5 "	½-14 NPT	Bottom back	PP-GF20, black	Grade 2A	-1/+5 bar	RF130PG D112	87905112
4.5 "	½-14 NPT	Bottom back	PP-GF20, black	Grade 2A	-1/+9 bar	RF130PG D112	87906112
4.5 "	½-14 NPT	Bottom back	PP-GF20, black	Grade 2A	-1/+15 bar	RF130PG D112	87907112
4.5 "	½-14 NPT	Bottom back	PP-GF20, black	Grade 2A	0/0.6 bar	RF130PG D112	87909112
4.5 "	½-14 NPT	Bottom back	PP-GF20, black	Grade 2A	0/1 bar	RF130PG D112	87910112
4.5 "	½-14 NPT	Bottom back	PP-GF20, black	Grade 2A	0/1.6 bar	RF130PG D112	87911112
4.5 "	½-14 NPT	Bottom back	PP-GF20, black	Grade 2A	0/2.5 bar	RF130PG D112	87912112
4.5 "	½-14 NPT	Bottom back	PP-GF20, black	Grade 2A	0/4 bar	RF130PG D112	87913112
4.5 "	½-14 NPT	Bottom back	PP-GF20, black	Grade 2A	0/6 bar	RF130PG D112	87914112
4.5 "	½-14 NPT	Bottom back	PP-GF20, black	Grade 2A	0/10 bar	RF130PG D112	87915112
4.5 "	½-14 NPT	Bottom back	PP-GF20, black	Grade 2A	0/16 bar	RF130PG D112	87916112
4.5 "	½-14 NPT	Bottom back	PP-GF20, black	Grade 2A	0/25 bar	RF130PG D112	87917112
4.5 "	½-14 NPT	Bottom back	PP-GF20, black	Grade 2A	0/40 bar	RF130PG D112	87918112
4.5 "	½-14 NPT	Bottom back	PP-GF20, black	Grade 2A	0/60 bar	RF130PG D112	87919112
4.5 "	½-14 NPT	Bottom back	PP-GF20, black	Grade 2A	0/100 bar	RF130PG D112	87920112
4.5 "	½-14 NPT	Bottom back	PP-GF20, black	Grade 2A	0/160 bar	RF130PG D112	87921112
4.5 "	½-14 NPT	Bottom back	PP-GF20, black	Grade 2A	0/250 bar	RF130PG D112	87922112
4.5 "	½-14 NPT	Bottom back	PP-GF20, black	Grade 2A	0/400 bar	RF130PG D112	87923112
4.5 "	½-14 NPT	Bottom back	PP-GF20, black	Grade 2A	0/600 bar	RF130PG D112	87924112



Blue part no. = in-stock items