



Standard Bourdon tube pressure gauges for refrigeration engineering type D7 with glycerine filling



Benefits

- Can be used in case of heavy vibrations and high, dynamic pressure loads
- Longer service life due to less wear and corrosion protection of the measuring system
- Various refrigerants measurable with multiple scales
- DNV- and GOSSTANDART-certified



Application

For simultaneous measurement of vapour pressures and temperatures in refrigeration engineering.
! For measuring gas or vapour, observe the table "Selection Criteria as per EN 837-2" (see appendix)!

Technical specifications

Type

D7

Nominal size

63 – 80 – 100

Accuracy class

EN 837-1/6

NG 63: 1,6

NG 80: 1,0

NG 100: 1,0

Ranges

-1/+9 bar

-1/+12.5 bar

-1/+15 bar

-1/+24 bar

-1/+30 bar

Temperature scales

For cooling agent: R 134a, R 290, R 404A, R 407A, R 507, R 744

Application area

Static load: $\frac{3}{4}$ x full scale value

Dynamic load: $\frac{2}{3}$ x full scale value

Short-term: Full scale value

Operating temperature range

Medium: According to cooling agent

Ambient: -20/+60 °C

Temperature performance

Indication error when the temperature of the measuring system deviates from the normal temperature of 20 °C:
at rising temperature approx. ± 0.4 %/10 K
falling temperature approx. ± 0.4 %/10 K
of full scale value

Degree of protection

IP 54 (EN 60529) with housing vent (≤ 25 bar)

IP 65 (EN 60529)



Standard version

Connection

Brass, bottom or centre back
7/16-20 UNF

Measuring element

Bourdon tube, Copper alloy
"C" type tube

Movement

Brass

Dial

Aluminium, white
Pressure dial marking black
Temperature dial marking coloured

Pointer

Aluminium, black

Housing

Stainless steel 304, with blow-out

Crimped bezel

Stainless steel 304

Window

Plastic

Filling liquid

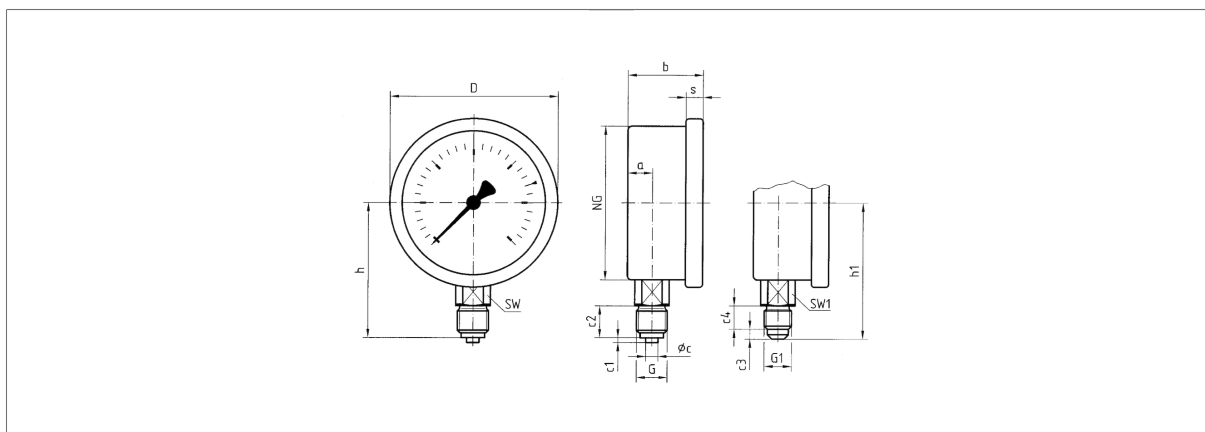
Glycerine (99.5 %)

Options

- Temperature scales for other refrigerants
- Back flange
- Clamp fixing
- 3-hole fixing, panel mounting bezel (NG 63/100)
- Damping screw
- Special scales
- Other process connections
- 7/16 – 20 UNF SAE J513 (45°)

Technical drawings

Bottom connection

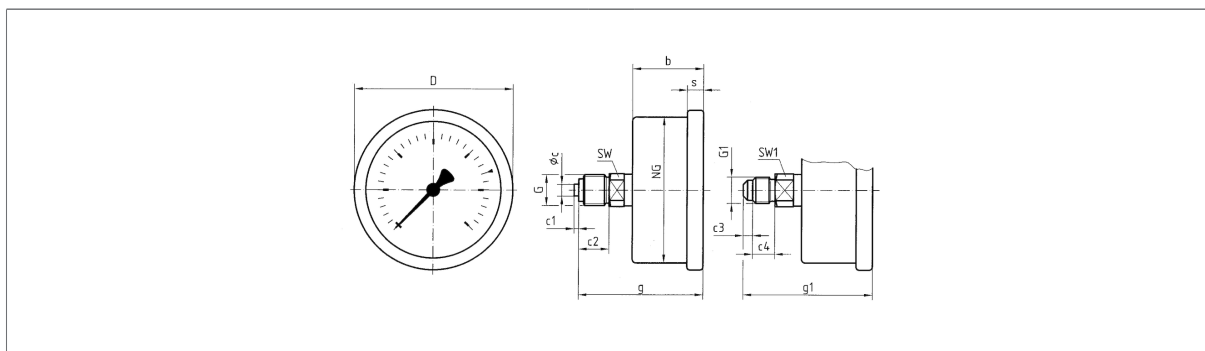


Dimensions (mm)

NG	a	b	∅c	c1	c2	c3	c4	D	G	G1	h	h1	s	SW	SW1
63	9,5	30,5	5	2	13	4	9,5	68	G¼B	7/16-20 UNF	53	55	7	14	14
80	12,2	33,5	6	3	20	4	9,5	85	G½B	7/16-20 UNF	71	62,5	7	22	14
100	12,2	33,5	6	3	20	4	9,5	106	G½B	7/16-20 UNF	81	72,5	7	22	14



Centre back connection



Dimensions (mm)

NG	b	∅c	c1	c2	c3	c4	D	g	g1	G	G1	s	SW	SW1
63	30,5	5	2	13	4	9,5	68	53,5	55,5	G½B	7/16-20 UNF	7	14	14
80	33,5	6	3	20	4	9,5	85	65,5	58,5	G½B	7/16-20 UNF	7	22	14
100	33,5	6	3	20	4	9,5	106	65,5	58,5	G½B	7/16-20 UNF	7	22	14

Versions

RF63KTGly D701

	Housing ∅	Connection	Alignment	Housing	Accuracy class	Range	Type	Part no.
	63 mm	7/16-20 UNF	Bottom	Stainless steel 304	1,6	-1/+9 bar	RF63KTGly D701	85130701
	63 mm	7/16-20 UNF	Bottom	Stainless steel 304	1,6	-1/+12.5 bar	RF63KTGly D701	85131701
	63 mm	7/16-20 UNF	Bottom	Stainless steel 304	1,6	-1/+15 bar	RF63KTGly D701	85132701
	63 mm	7/16-20 UNF	Bottom	Stainless steel 304	1,6	-1/+24 bar	RF63KTGly D701	85133701
	63 mm	7/16-20 UNF	Bottom	Stainless steel 304	1,6	-1/+30 bar	RF63KTGly D701	85134701

Blue part no. = in-stock items

RF80KTGly D701

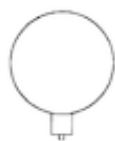
	Housing ∅	Connection	Alignment	Housing	Accuracy class	Range	Type	Part no.
	80 mm	7/16-20 UNF	Bottom	Stainless steel 304	1,0	-1/+9 bar	RF80KTGly D701	85180701
	80 mm	7/16-20 UNF	Bottom	Stainless steel 304	1,0	-1/+12.5 bar	RF80KTGly D701	85181701
	80 mm	7/16-20 UNF	Bottom	Stainless steel 304	1,0	-1/+15 bar	RF80KTGly D701	85182701
	80 mm	7/16-20 UNF	Bottom	Stainless steel 304	1,0	-1/+24 bar	RF80KTGly D701	85183701
	80 mm	7/16-20 UNF	Bottom	Stainless steel 304	1,0	-1/+30 bar	RF80KTGly D701	85184701

Blue part no. = in-stock items



RF100KTGly D701

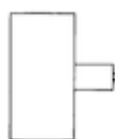
Housing \varnothing	Connection	Alignment	Housing	Accuracy class	Range	Type	Part no.
100 mm	7/16-20 UNF	Bottom	Stainless steel 304	1,0	-1/+9 bar	RF100KTGly D701	85230701
100 mm	7/16-20 UNF	Bottom	Stainless steel 304	1,0	-1/+12.5 bar	RF100KTGly D701	85231701
100 mm	7/16-20 UNF	Bottom	Stainless steel 304	1,0	-1/+15 bar	RF100KTGly D701	85232701
100 mm	7/16-20 UNF	Bottom	Stainless steel 304	1,0	-1/+24 bar	RF100KTGly D701	85233701
100 mm	7/16-20 UNF	Bottom	Stainless steel 304	1,0	-1/+30 bar	RF100KTGly D701	85234701



Blue part no. = in-stock items

RF63KTGly D711

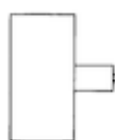
Housing \varnothing	Connection	Alignment	Housing	Accuracy class	Range	Type	Part no.
63 mm	7/16-20 UNF	Centre back	Stainless steel 304	1,6	-1/+9 bar	RF63KTGly D711	85130711
63 mm	7/16-20 UNF	Centre back	Stainless steel 304	1,6	-1/+12.5 bar	RF63KTGly D711	85131711
63 mm	7/16-20 UNF	Centre back	Stainless steel 304	1,6	-1/+15 bar	RF63KTGly D711	85132711
63 mm	7/16-20 UNF	Centre back	Stainless steel 304	1,6	-1/+24 bar	RF63KTGly D711	85133711
63 mm	7/16-20 UNF	Centre back	Stainless steel 304	1,6	-1/+30 bar	RF63KTGly D711	85134711



Blue part no. = in-stock items

RF80KTGly D711

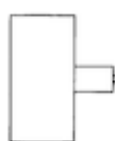
Housing \varnothing	Connection	Alignment	Housing	Accuracy class	Range	Type	Part no.
80 mm	7/16-20 UNF	Centre back	Stainless steel 304	1,0	-1/+9 bar	RF80KTGly D711	85180711
80 mm	7/16-20 UNF	Centre back	Stainless steel 304	1,0	-1/+12.5 bar	RF80KTGly D711	85181711
80 mm	7/16-20 UNF	Centre back	Stainless steel 304	1,0	-1/+15 bar	RF80KTGly D711	85182711
80 mm	7/16-20 UNF	Centre back	Stainless steel 304	1,0	-1/+24 bar	RF80KTGly D711	85183711
80 mm	7/16-20 UNF	Centre back	Stainless steel 304	1,0	-1/+30 bar	RF80KTGly D711	85184711



Blue part no. = in-stock items

RF100KTGly D711

Housing \varnothing	Connection	Alignment	Housing	Accuracy class	Range	Type	Part no.
100 mm	7/16-20 UNF	Centre back	Stainless steel 304	1,0	-1/+9 bar	RF100KTGly D711	85230711
100 mm	7/16-20 UNF	Centre back	Stainless steel 304	1,0	-1/+12.5 bar	RF100KTGly D711	85231711
100 mm	7/16-20 UNF	Centre back	Stainless steel 304	1,0	-1/+15 bar	RF100KTGly D711	85232711
100 mm	7/16-20 UNF	Centre back	Stainless steel 304	1,0	-1/+24 bar	RF100KTGly D711	85233711
100 mm	7/16-20 UNF	Centre back	Stainless steel 304	1,0	-1/+30 bar	RF100KTGly D711	85234711



Blue part no. = in-stock items