



Bourdon tube pressure gauge with electrical contact type D3



Benefits

- Up to two contacts possible
- Wetted parts and movement made of stainless steel
- Available with MK, EK, IK
- Safety housing S2 as per EN 837-1 (blow-out)

Application

For corrosive gaseous and liquid media which are not highly viscous and do not crystallise. For measuring in areas with limited space. Especially suitable for monitoring minimum pressure in gas cylinders together with AFRISO alarm unit for low gas level.

Technical specifications

Type

D3

Nominal size

63

Accuracy class (EN 837-1/6)

1,6

Ranges (EN 837-1/5)

See ordering table

Application area

Static load: $\frac{1}{4}$ x full scale value

Dynamic load: $\frac{1}{2}$ x full scale value

Short-term: Full scale value

Contact types

Inductive contact (IK)

Magnetic spring contact (MK)

Minimum range

Contact

IK Single: 1.6 bar

IK dual: 1.6 bar

MK Single: 1.6 bar

MK dual: 1.6 bar

Operating temperature range

Medium: Max. 150 °C

Ambient: -20/+60 °C

Temperature performance

Indication error when the temperature of the measuring system deviates from the normal temperature of 20 °C:
at rising temperature approx. $\pm 0.4 \%$ /10 K
falling temperature approx. $\pm 0.4 \%$ /10 K
of full scale value

Degree of protection

IP 42 (EN 60529)



Standard version

Connection

Stainless steel 316 Ti/316 L, bottom
G $\frac{1}{4}$ B, SW14 (EN 837-1/7.3)

Electrical connection

Cable gland M12 x 1.5
Cable 1 m

Measuring element

Bourdon tube, stainless steel 316 Ti/316 L

≤ 60 bar: "C" type tube
> 60 bar: Helical tube

Movement

Stainless steel

Dial

Aluminium, white
Scaling black

Pointer

Aluminium, black

Housing

Stainless steel 304, safety housing S2 as per EN 837-1, with rear blow-out

Push on bezel

Stainless steel 304

Window

Plastic (Makrolon), with contact adjustment lock

Inductive contact (IK)

Supply voltage

DC 5 – 25 V

Current input

≥ 2.1 mA

Options

- Wetted parts oil-free and grease-free (≤ 0/400 bar)
- Ultra-pure gas version
- Back flange
- Damping screw
- Special scales
- Other process connections

Technical drawings

Switching accuracy

Approx. 0.5 % of full scale value

Operating temperature range

-20/+70 °C or corresponding to the respective measuring instruments

Adjustment range

5–95 % measuring range of gauge

Options

- Contact systems with safety integrity level SIL 2

Magnetic spring contact (MK)

Supply voltage

Max. AC/DC 250 V

Making current and breaking current

Max. 1 A

Continuous current

Max. 0.6 A

Switch rating

Max. 50 VA, max. 30 W

Contact

Ag80 Ni20 Au 10 μm

Switching accuracy

Approx. 2–5 % of full scale value

Operating temperature range

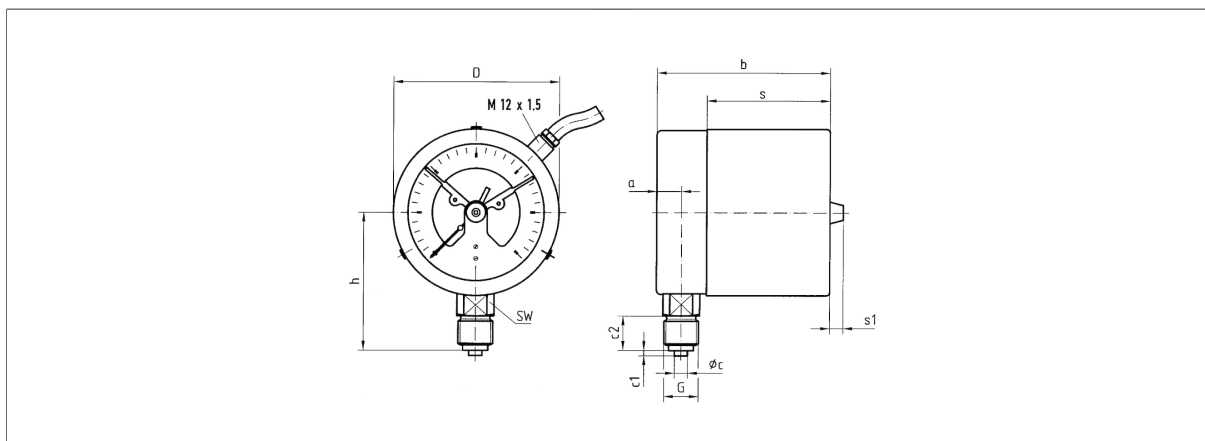
-20/+70 °C or corresponding to the respective measuring instruments

Adjustment range

5–95 % measuring range of gauge



Bottom connection



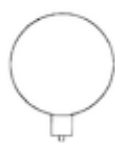
Dimensions (mm)

NG	a	b	Øc	c1	c2	D	G	h	s	s1	SW
63	9,5	66	5	2	13	64	G¼B	46	47,5	8	14

Versions

RF63IK1 D302

Housing ø	Connection	Alignment	Housing	Accuracy class	Range	Type	Part no.
63 mm	G¼B	Bottom	Stainless steel 304	1,6	-1/+0.6 bar	RF63IK1 D302	87452302
63 mm	G¼B	Bottom	Stainless steel 304	1,6	-1/+1.5 bar	RF63IK1 D302	87453302
63 mm	G¼B	Bottom	Stainless steel 304	1,6	-1/+3 bar	RF63IK1 D302	87454302
63 mm	G¼B	Bottom	Stainless steel 304	1,6	-1/+5 bar	RF63IK1 D302	87455302
63 mm	G¼B	Bottom	Stainless steel 304	1,6	-1/+9 bar	RF63IK1 D302	87456302
63 mm	G¼B	Bottom	Stainless steel 304	1,6	-1/+15 bar	RF63IK1 D302	87457302
63 mm	G¼B	Bottom	Stainless steel 304	1,6	0/1.6 bar	RF63IK1 D302	87461302
63 mm	G¼B	Bottom	Stainless steel 304	1,6	0/2.5 bar	RF63IK1 D302	87462302
63 mm	G¼B	Bottom	Stainless steel 304	1,6	0/4 bar	RF63IK1 D302	87463302
63 mm	G¼B	Bottom	Stainless steel 304	1,6	0/6 bar	RF63IK1 D302	87464302
63 mm	G¼B	Bottom	Stainless steel 304	1,6	0/10 bar	RF63IK1 D302	87465302
63 mm	G¼B	Bottom	Stainless steel 304	1,6	0/16 bar	RF63IK1 D302	87466302
63 mm	G¼B	Bottom	Stainless steel 304	1,6	0/25 bar	RF63IK1 D302	87467302
63 mm	G¼B	Bottom	Stainless steel 304	1,6	0/40 bar	RF63IK1 D302	87468302
63 mm	G¼B	Bottom	Stainless steel 304	1,6	0/60 bar	RF63IK1 D302	87469302



Blue part no. = in-stock items



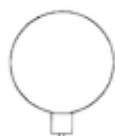
Housing \varnothing	Connection	Alignment	Housing	Accuracy class	Range	Type	Part no.
63 mm	G $\frac{1}{4}$ B	Bottom	Stainless steel 304	1,6	0/100 bar	RF63IK1 D302	87470302
63 mm	G $\frac{1}{4}$ B	Bottom	Stainless steel 304	1,6	0/160 bar	RF63IK1 D302	87471302
63 mm	G $\frac{1}{4}$ B	Bottom	Stainless steel 304	1,6	0/250 bar	RF63IK1 D302	87472302
63 mm	G $\frac{1}{4}$ B	Bottom	Stainless steel 304	1,6	0/400 bar	RF63IK1 D302	87473302
63 mm	G $\frac{1}{4}$ B	Bottom	Stainless steel 304	1,6	0/600 bar	RF63IK1 D302	87474302

Blue part no. = in-stock items

RF63IK2 D302

Housing \varnothing	Connection	Alignment	Housing	Accuracy class	Range	Type	Part no.
63 mm	G $\frac{1}{4}$ B	Bottom	Stainless steel 304	1,6	-1/+0.6 bar	RF63IK2 D302	87552302
63 mm	G $\frac{1}{4}$ B	Bottom	Stainless steel 304	1,6	-1/+1.5 bar	RF63IK2 D302	87553302
63 mm	G $\frac{1}{4}$ B	Bottom	Stainless steel 304	1,6	-1/+3 bar	RF63IK2 D302	87554302
63 mm	G $\frac{1}{4}$ B	Bottom	Stainless steel 304	1,6	-1/+5 bar	RF63IK2 D302	87555302
63 mm	G $\frac{1}{4}$ B	Bottom	Stainless steel 304	1,6	-1/+9 bar	RF63IK2 D302	87556302
63 mm	G $\frac{1}{4}$ B	Bottom	Stainless steel 304	1,6	-1/+15 bar	RF63IK2 D302	87557302
63 mm	G $\frac{1}{4}$ B	Bottom	Stainless steel 304	1,6	0/1.6 bar	RF63IK2 D302	87561302
63 mm	G $\frac{1}{4}$ B	Bottom	Stainless steel 304	1,6	0/2.5 bar	RF63IK2 D302	87562302
63 mm	G $\frac{1}{4}$ B	Bottom	Stainless steel 304	1,6	0/4 bar	RF63IK2 D302	87563302
63 mm	G $\frac{1}{4}$ B	Bottom	Stainless steel 304	1,6	0/6 bar	RF63IK2 D302	87564302
63 mm	G $\frac{1}{4}$ B	Bottom	Stainless steel 304	1,6	0/10 bar	RF63IK2 D302	87565302
63 mm	G $\frac{1}{4}$ B	Bottom	Stainless steel 304	1,6	0/16 bar	RF63IK2 D302	87566302
63 mm	G $\frac{1}{4}$ B	Bottom	Stainless steel 304	1,6	0/25 bar	RF63IK2 D302	87567302
63 mm	G $\frac{1}{4}$ B	Bottom	Stainless steel 304	1,6	0/40 bar	RF63IK2 D302	87568302
63 mm	G $\frac{1}{4}$ B	Bottom	Stainless steel 304	1,6	0/60 bar	RF63IK2 D302	87569302
63 mm	G $\frac{1}{4}$ B	Bottom	Stainless steel 304	1,6	0/100 bar	RF63IK2 D302	87570302
63 mm	G $\frac{1}{4}$ B	Bottom	Stainless steel 304	1,6	0/160 bar	RF63IK2 D302	87571302
63 mm	G $\frac{1}{4}$ B	Bottom	Stainless steel 304	1,6	0/250 bar	RF63IK2 D302	87572302
63 mm	G $\frac{1}{4}$ B	Bottom	Stainless steel 304	1,6	0/400 bar	RF63IK2 D302	87573302
63 mm	G $\frac{1}{4}$ B	Bottom	Stainless steel 304	1,6	0/600 bar	RF63IK2 D302	87574302

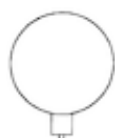
Blue part no. = in-stock items





RF63MK1 D302

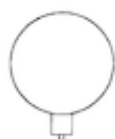
Housing \varnothing	Connection	Alignment	Housing	Accuracy class	Range	Type	Part no.
63 mm	G $\frac{1}{4}$ B	Bottom	Stainless steel 304	1,6	-1/+0.6 bar	RF63MK1 D302	87402302
63 mm	G $\frac{1}{4}$ B	Bottom	Stainless steel 304	1,6	-1/+1.5 bar	RF63MK1 D302	87403302
63 mm	G $\frac{1}{4}$ B	Bottom	Stainless steel 304	1,6	-1/+3 bar	RF63MK1 D302	87404302
63 mm	G $\frac{1}{4}$ B	Bottom	Stainless steel 304	1,6	-1/+5 bar	RF63MK1 D302	87405302
63 mm	G $\frac{1}{4}$ B	Bottom	Stainless steel 304	1,6	-1/+9 bar	RF63MK1 D302	87406302
63 mm	G $\frac{1}{4}$ B	Bottom	Stainless steel 304	1,6	-1/+15 bar	RF63MK1 D302	87407302
63 mm	G $\frac{1}{4}$ B	Bottom	Stainless steel 304	1,6	0/1.6 bar	RF63MK1 D302	87411302
63 mm	G $\frac{1}{4}$ B	Bottom	Stainless steel 304	1,6	0/2.5 bar	RF63MK1 D302	87412302
63 mm	G $\frac{1}{4}$ B	Bottom	Stainless steel 304	1,6	0/4 bar	RF63MK1 D302	87413302
63 mm	G $\frac{1}{4}$ B	Bottom	Stainless steel 304	1,6	0/6 bar	RF63MK1 D302	87414302
63 mm	G $\frac{1}{4}$ B	Bottom	Stainless steel 304	1,6	0/10 bar	RF63MK1 D302	87415302
63 mm	G $\frac{1}{4}$ B	Bottom	Stainless steel 304	1,6	0/16 bar	RF63MK1 D302	87416302
63 mm	G $\frac{1}{4}$ B	Bottom	Stainless steel 304	1,6	0/25 bar	RF63MK1 D302	87417302
63 mm	G $\frac{1}{4}$ B	Bottom	Stainless steel 304	1,6	0/40 bar	RF63MK1 D302	87418302
63 mm	G $\frac{1}{4}$ B	Bottom	Stainless steel 304	1,6	0/60 bar	RF63MK1 D302	87419302
63 mm	G $\frac{1}{4}$ B	Bottom	Stainless steel 304	1,6	0/100 bar	RF63MK1 D302	87420302
63 mm	G $\frac{1}{4}$ B	Bottom	Stainless steel 304	1,6	0/160 bar	RF63MK1 D302	87421302
63 mm	G $\frac{1}{4}$ B	Bottom	Stainless steel 304	1,6	0/250 bar	RF63MK1 D302	87422302
63 mm	G $\frac{1}{4}$ B	Bottom	Stainless steel 304	1,6	0/400 bar	RF63MK1 D302	87423302
63 mm	G $\frac{1}{4}$ B	Bottom	Stainless steel 304	1,6	0/600 bar	RF63MK1 D302	87424302



Blue part no. = in-stock items

RF63MK2 D302

Housing \varnothing	Connection	Alignment	Housing	Accuracy class	Range	Type	Part no.
63 mm	G $\frac{1}{4}$ B	Bottom	Stainless steel 304	1,6	-1/+0.6 bar	RF63MK2 D302	87502302
63 mm	G $\frac{1}{4}$ B	Bottom	Stainless steel 304	1,6	-1/+1.5 bar	RF63MK2 D302	87503302
63 mm	G $\frac{1}{4}$ B	Bottom	Stainless steel 304	1,6	-1/+3 bar	RF63MK2 D302	87504302
63 mm	G $\frac{1}{4}$ B	Bottom	Stainless steel 304	1,6	-1/+5 bar	RF63MK2 D302	87505302
63 mm	G $\frac{1}{4}$ B	Bottom	Stainless steel 304	1,6	-1/+9 bar	RF63MK2 D302	87506302



Blue part no. = in-stock items



Housing [⊗]	Connection	Alignment	Housing	Accuracy class	Range	Type	Part no.
63 mm	G¼B	Bottom	Stainless steel 304	1,6	-1/+15 bar	RF63MK2 D302	87507302
63 mm	G¼B	Bottom	Stainless steel 304	1,6	0/1.6 bar	RF63MK2 D302	87511302
63 mm	G¼B	Bottom	Stainless steel 304	1,6	0/2.5 bar	RF63MK2 D302	87512302
63 mm	G¼B	Bottom	Stainless steel 304	1,6	0/4 bar	RF63MK2 D302	87513302
63 mm	G¼B	Bottom	Stainless steel 304	1,6	0/6 bar	RF63MK2 D302	87514302
63 mm	G¼B	Bottom	Stainless steel 304	1,6	0/10 bar	RF63MK2 D302	87515302
63 mm	G¼B	Bottom	Stainless steel 304	1,6	0/16 bar	RF63MK2 D302	87516302
63 mm	G¼B	Bottom	Stainless steel 304	1,6	0/25 bar	RF63MK2 D302	87517302
63 mm	G¼B	Bottom	Stainless steel 304	1,6	0/40 bar	RF63MK2 D302	87518302
63 mm	G¼B	Bottom	Stainless steel 304	1,6	0/60 bar	RF63MK2 D302	87519302
63 mm	G¼B	Bottom	Stainless steel 304	1,6	0/100 bar	RF63MK2 D302	87520302
63 mm	G¼B	Bottom	Stainless steel 304	1,6	0/160 bar	RF63MK2 D302	87521302
63 mm	G¼B	Bottom	Stainless steel 304	1,6	0/250 bar	RF63MK2 D302	87522302
63 mm	G¼B	Bottom	Stainless steel 304	1,6	0/400 bar	RF63MK2 D302	87523302
63 mm	G¼B	Bottom	Stainless steel 304	1,6	0/600 bar	RF63MK2 D302	87524302

Blue part no. = in-stock items