

## Single room controller RTL-Box 324 Vario with return temperature limiter



### Benefits

- Very compact visible plate (11.5 x 13.5 cm) made of high-gloss plastics
- Elegant, compact control head
- Exact alignment with mounting wall due to depth-adjustable mounting frame
- Aesthetic design allows for user-friendly mounting at the level of the light switches

### Application

For decentralised temperature control in individual rooms with underfloor heating systems or wall heating systems in combination with radiator installation. Ideal for scenarios without radiator installation and if no centralised distribution is desired. The RTL-Box 324 Vario combines heating circuit, room temperature sensor and control in a single unit. The purely mechanical function of the room controller requires no additional electrical power for actuators or similar equipment. Due to the compact dimensions and the aesthetic design, the RTL-Box fits perfectly at the level of light switch installations. This ensures optimum control characteristics and excellent user-friendliness.

### Versions

	Part no.
Single room controller RTL-Box 324 Vario	78330
Extension kit RTL-Box 324 Vario	78331

Blue part no. = in-stock items

### Description

The single room controller RTL-Box 324 Vario consists of a high-grade, high-gloss cover plate made of sturdy plastic, an aesthetic thermostat control head and a mounting frame. The mounting frame adapts to the wall and levels a height of up to 25 mm. The optional extension kit extends the thermostat head by 20 mm if the maximum wall level height is exceeded. The wall installation box with shell protection comprises an adjustable valve assembly consisting of a control valve, a thermostat valve and a return temperature limiter for limiting the radiator return temperature to a temperature level suitable for the underfloor heating system. The valve opens when the values falls below the adjusted limit value. The pipes of the underfloor heating system are mounted in the wall installation box by means of standard compression fittings.



## Technical specifications

### Temperature adjustment range

Reference (room temperature):  
perature):

Return temperature: 20/48 °C

### Operating temperature range

Medium: Max. 90 °C

### System connections

Connector with eurocone, can be fixed with spring clips

### Pipe connection

Eurocone G $\frac{3}{4}$

### Nominal pressure

Max. 6 bar

### Installation depth

63/88 mm

### Housing

Plastic cover PC/ABS high-gloss white

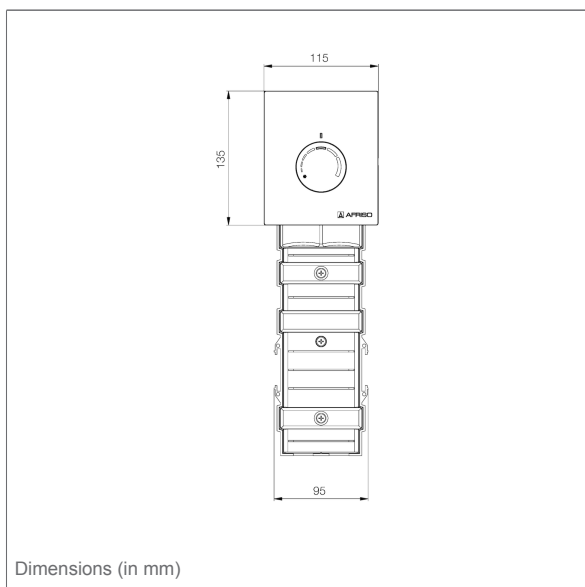
Plastic wall installation box PP black

### Weight

1.25 kg

## Technical drawings

Cover with wall installation box



Cover with wall installation box

