

## Motorised boiler room vent Air-Control



### Benefits

- Saves heating costs, is reliable and silent
- System or room cannot cool down
- Sturdy, impact-resistant plastic
- Complete with accessories for easy installation

### Application

Suitable for installation in basement windows or ventilation ducts for burner-controlled oxygen supply of heating rooms with oil and gas burners of up to 50 kW. Keeps the system or the room from cooling down.

### Versions

	Part no.
Motorised boiler room vent Air-Control	69964

Blue part no. = in-stock items

### Description

Burner-controlled motorised boiler room vent, consisting of a robust, impact-resistant plastic housing with injection-moulded mounting flange, a mating flange with a protective grille and a gear motor for actuating the slide. Can also be operated manually; with function indication. Boiler rooms which are equipped with oil- or gas-fired burners must be supplied with a sufficient amount of oxygen (e.g. in accordance with the German FeuVo). This is often achieved by constantly open boiler room windows or by inlet air ducts. The cold air which constantly flows into the boiler room causes the boiler and the water supply as well as the pipes to cool down. As a result, the burner is switched on more frequently and consumes unnecessarily high amounts of fuel.

Air-Control is mounted onto the pane and is electrically connected to the boiler thermostat. Air-Control can also be mounted onto air ducts. The window remains closed and keeps the warmth inside. As soon as the boiler temperature drops, the boiler thermostat switches on Air-Control. Opening the vent activates a microswitch which closes the burner circuit. The burner starts to operate only when the motorised boiler room vent is open and is supplied with pre-warmed ambient air in the ignition phase. The motorised boiler room vent remains open during the entire combustion process and provides the boiler room with enough fresh air. The burner switches off when the preset temperature is reached. Air-Control closes automatically.



## Technical specifications

### Housing

Plastic (ABS)

W x H x D: 260 x 300 x 115 mm

Weight: 1 kg

Degree of protection: IP 20 (EN 60529)

### Installation opening

W x H: 216 x 166 mm

### Cross section fresh air supply

150 cm<sup>2</sup>

### Supply voltage

AC 230 V

### Contact rating

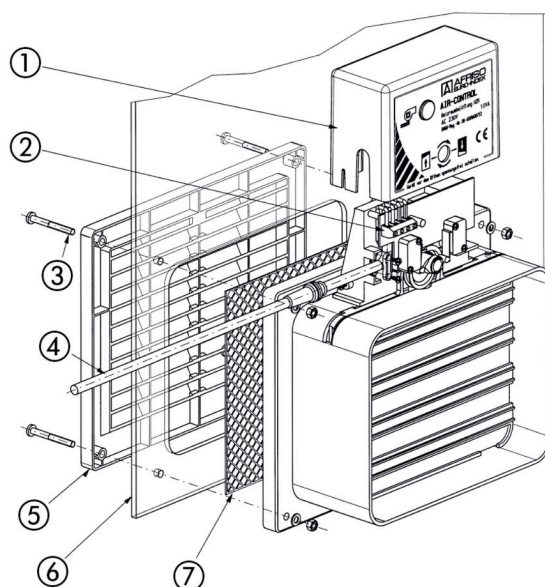
AC 250 V, 2 A

### Burner capacity

Max. 50 kW

Several Air-Control units can be installed in the case of larger facilities.

## Detail views



1. Hood PVC
2. Terminal block
3. Fixing screw
4. Connection cable (4-core)
5. Protective grille
6. Window/wall (on site)
7. Insect protection stainless steel mesh