



Standard Bourdon tube pressure gauges Process Gauges Type D6



Benefits

- Extremely robust pressure gauge for offshore and onshore applications
- Glass-fibre reinforced safety housing with solid baffle wall and blow-out
- Integrated pressure compensation diaphragm
- Tightness-tested with helium
- GOSSTANDART-certified

Application

For corrosive gaseous and liquid media which are not highly viscous and do not crystallise. Specially suitable for the oil and chemical industries.

Technical specifications

Type
D6

Nominal size
4.5

Accuracy class (ASME B 40.100)
Grade 2A (correspond to an accuracy of 0.5 %)

Ranges (EN 837-1/5)
See ordering table

Application area

Static load:	Full scale value
Dynamic load:	0.9 x full scale value
Short-term:	1.3 x full scale value

Operating temperature range

Medium:	Max. 100 °C
Ambient:	-20/+65 °C

Temperature performance
Indication error when the temperature of the measuring system deviates from the normal temperature of 20 °C:
at rising temperature approx. $\pm 0.4 \text{ \%}/10 \text{ K}$
falling temperature approx. $\pm 0.4 \text{ \%}/10 \text{ K}$
of full scale value

Degree of protection
IP 67 (EN 60529)



Standard version

Connection

Brass: D601
Brass: D611
Stainless steel 316 L: D602
Stainless steel 316 L: D612
Bottom or bottom
back

Measuring element

Bourdon tube, stainless steel 316 Ti/316 L
≤ 60 bar: "C" type tube
> 60 bar: Helical tube
Tightness-tested with helium

Movement

Stainless steel

Dial

Aluminium, white
Scaling black

Pointer

Micro-adjustable pointer
Brass, black

Housing

PP-GF20, black
With solid baffle wall and blow-out,
Integrated back flange

Screw type bezel

PP-GF20, black Internal

Window

Plastic (PMMA)

Filling liquid

Glycerine (99.5 %)

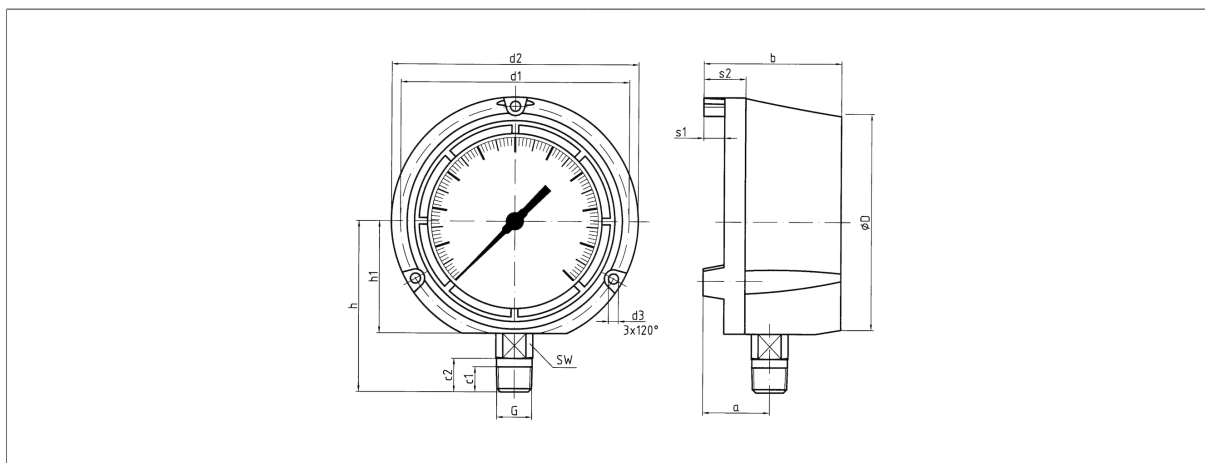
Options

- Glycerine filling (type D 6)
- Silicone oil filling (type D 6)
- Measuring system copper alloy (type 1x1)
- Measuring system Monel (type 1x3)
- Laminated safety glass window
- Reference pointer
- Maximum pointer
- Electrical contacts
- Special scales
- Other process connections

Technical drawings



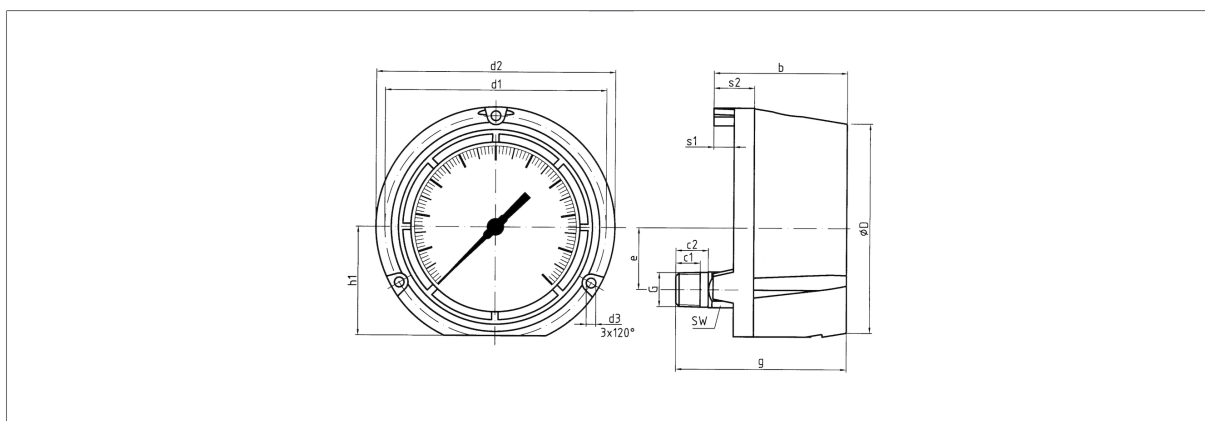
Bottom connection



Dimensions (mm)

NG	a	b	c1	c2	d1	d2	d3	ØD	G	h	h1	s1	s2	SW
4½"	40	82,5	15	20	137	148	6	129	½-14 NPT	102	67	12,5	25	22

Centre back connection



Dimensions (mm)

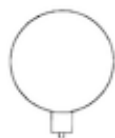
NG	b	c1	c2	d1	d2	d3	ØD	e	G	g	h1	s1	s2	SW
4½"	82,5	15	20	137	148	6	129	38	½-14 NPT	105,5	67	12,5	25	22



Versions

RF130PGGly D601

Housing \varnothing	Connection	Alignment	Housing	Accuracy class	Range	Type	Part no.
4.5 "	½-14 NPT	Bottom	PP-GF20, black	Grade 2A	-1/0 bar	RF130PGGly D601	87901601
4.5 "	½-14 NPT	Bottom	PP-GF20, black	Grade 2A	-1/+0.6 bar	RF130PGGly D601	87902601
4.5 "	½-14 NPT	Bottom	PP-GF20, black	Grade 2A	-1/+1.5 bar	RF130PGGly D601	87903601
4.5 "	½-14 NPT	Bottom	PP-GF20, black	Grade 2A	-1/+3 bar	RF130PGGly D601	87904601
4.5 "	½-14 NPT	Bottom	PP-GF20, black	Grade 2A	-1/+5 bar	RF130PGGly D601	87905601
4.5 "	½-14 NPT	Bottom	PP-GF20, black	Grade 2A	-1/+9 bar	RF130PGGly D601	87906601
4.5 "	½-14 NPT	Bottom	PP-GF20, black	Grade 2A	-1/+15 bar	RF130PGGly D601	87907601
4.5 "	½-14 NPT	Bottom	PP-GF20, black	Grade 2A	0/0.6 bar	RF130PGGly D601	87909601
4.5 "	½-14 NPT	Bottom	PP-GF20, black	Grade 2A	0/1 bar	RF130PGGly D601	87910601
4.5 "	½-14 NPT	Bottom	PP-GF20, black	Grade 2A	0/1.6 bar	RF130PGGly D601	87911601
4.5 "	½-14 NPT	Bottom	PP-GF20, black	Grade 2A	0/2.5 bar	RF130PGGly D601	87912601
4.5 "	½-14 NPT	Bottom	PP-GF20, black	Grade 2A	0/4 bar	RF130PGGly D601	87913601
4.5 "	½-14 NPT	Bottom	PP-GF20, black	Grade 2A	0/6 bar	RF130PGGly D601	87914601
4.5 "	½-14 NPT	Bottom	PP-GF20, black	Grade 2A	0/10 bar	RF130PGGly D601	87915601
4.5 "	½-14 NPT	Bottom	PP-GF20, black	Grade 2A	0/16 bar	RF130PGGly D601	87916601
4.5 "	½-14 NPT	Bottom	PP-GF20, black	Grade 2A	0/25 bar	RF130PGGly D601	87917601
4.5 "	½-14 NPT	Bottom	PP-GF20, black	Grade 2A	0/40 bar	RF130PGGly D601	87918601
4.5 "	½-14 NPT	Bottom	PP-GF20, black	Grade 2A	0/60 bar	RF130PGGly D601	87919601
4.5 "	½-14 NPT	Bottom	PP-GF20, black	Grade 2A	0/100 bar	RF130PGGly D601	87920601
4.5 "	½-14 NPT	Bottom	PP-GF20, black	Grade 2A	0/160 bar	RF130PGGly D601	87921601
4.5 "	½-14 NPT	Bottom	PP-GF20, black	Grade 2A	0/250 bar	RF130PGGly D601	87922601
4.5 "	½-14 NPT	Bottom	PP-GF20, black	Grade 2A	0/400 bar	RF130PGGly D601	87923601
4.5 "	½-14 NPT	Bottom	PP-GF20, black	Grade 2A	0/600 bar	RF130PGGly D601	87924601

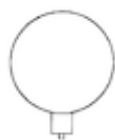


Blue part no. = in-stock items



RF130PGGly D602

Housing \varnothing	Connection	Alignment	Housing	Accuracy class	Range	Type	Part no.
4.5 "	½-14 NPT	Bottom	PP-GF20, black	Grade 2A	-1/0 bar	RF130PGGly D602	87901602
4.5 "	½-14 NPT	Bottom	PP-GF20, black	Grade 2A	-1/+0.6 bar	RF130PGGly D602	87902602
4.5 "	½-14 NPT	Bottom	PP-GF20, black	Grade 2A	-1/+1.5 bar	RF130PGGly D602	87903602
4.5 "	½-14 NPT	Bottom	PP-GF20, black	Grade 2A	-1/+3 bar	RF130PGGly D602	87904602
4.5 "	½-14 NPT	Bottom	PP-GF20, black	Grade 2A	-1/+5 bar	RF130PGGly D602	87905602
4.5 "	½-14 NPT	Bottom	PP-GF20, black	Grade 2A	-1/+9 bar	RF130PGGly D602	87906602
4.5 "	½-14 NPT	Bottom	PP-GF20, black	Grade 2A	-1/+15 bar	RF130PGGly D602	87907602
4.5 "	½-14 NPT	Bottom	PP-GF20, black	Grade 2A	0/0.6 bar	RF130PGGly D602	87909602
4.5 "	½-14 NPT	Bottom	PP-GF20, black	Grade 2A	0/1 bar	RF130PGGly D602	87910602
4.5 "	½-14 NPT	Bottom	PP-GF20, black	Grade 2A	0/1.6 bar	RF130PGGly D602	87911602
4.5 "	½-14 NPT	Bottom	PP-GF20, black	Grade 2A	0/2.5 bar	RF130PGGly D602	87912602
4.5 "	½-14 NPT	Bottom	PP-GF20, black	Grade 2A	0/4 bar	RF130PGGly D602	87913602
4.5 "	½-14 NPT	Bottom	PP-GF20, black	Grade 2A	0/6 bar	RF130PGGly D602	87914602
4.5 "	½-14 NPT	Bottom	PP-GF20, black	Grade 2A	0/10 bar	RF130PGGly D602	87915602
4.5 "	½-14 NPT	Bottom	PP-GF20, black	Grade 2A	0/16 bar	RF130PGGly D602	87916602
4.5 "	½-14 NPT	Bottom	PP-GF20, black	Grade 2A	0/25 bar	RF130PGGly D602	87917602
4.5 "	½-14 NPT	Bottom	PP-GF20, black	Grade 2A	0/40 bar	RF130PGGly D602	87918602
4.5 "	½-14 NPT	Bottom	PP-GF20, black	Grade 2A	0/60 bar	RF130PGGly D602	87919602
4.5 "	½-14 NPT	Bottom	PP-GF20, black	Grade 2A	0/100 bar	RF130PGGly D602	87920602
4.5 "	½-14 NPT	Bottom	PP-GF20, black	Grade 2A	0/160 bar	RF130PGGly D602	87921602
4.5 "	½-14 NPT	Bottom	PP-GF20, black	Grade 2A	0/250 bar	RF130PGGly D602	87922602
4.5 "	½-14 NPT	Bottom	PP-GF20, black	Grade 2A	0/400 bar	RF130PGGly D602	87923602
4.5 "	½-14 NPT	Bottom	PP-GF20, black	Grade 2A	0/600 bar	RF130PGGly D602	87924602



Blue part no. = in-stock items



RF130PGGly D611

Housing \varnothing	Connection	Alignment	Housing	Accuracy class	Range	Type	Part no.
4.5 "	½-14 NPT	Bottom back	PP-GF20, black	Grade 2A	-1/0 bar	RF130PGGly D611	87901611
4.5 "	½-14 NPT	Bottom back	PP-GF20, black	Grade 2A	-1/+0.6 bar	RF130PGGly D611	87902611
4.5 "	½-14 NPT	Bottom back	PP-GF20, black	Grade 2A	-1/+1.5 bar	RF130PGGly D611	87903611
4.5 "	½-14 NPT	Bottom back	PP-GF20, black	Grade 2A	-1/+3 bar	RF130PGGly D611	87904611
4.5 "	½-14 NPT	Bottom back	PP-GF20, black	Grade 2A	-1/+5 bar	RF130PGGly D611	87905611
4.5 "	½-14 NPT	Bottom back	PP-GF20, black	Grade 2A	-1/+9 bar	RF130PGGly D611	87906611
4.5 "	½-14 NPT	Bottom back	PP-GF20, black	Grade 2A	-1/+15 bar	RF130PGGly D611	87907611
4.5 "	½-14 NPT	Bottom back	PP-GF20, black	Grade 2A	0/0.6 bar	RF130PGGly D611	87909611
4.5 "	½-14 NPT	Bottom back	PP-GF20, black	Grade 2A	0/1 bar	RF130PGGly D611	87910611
4.5 "	½-14 NPT	Bottom back	PP-GF20, black	Grade 2A	0/1.6 bar	RF130PGGly D611	87911611
4.5 "	½-14 NPT	Bottom back	PP-GF20, black	Grade 2A	0/2.5 bar	RF130PGGly D611	87912611
4.5 "	½-14 NPT	Bottom back	PP-GF20, black	Grade 2A	0/4 bar	RF130PGGly D611	87913611
4.5 "	½-14 NPT	Bottom back	PP-GF20, black	Grade 2A	0/6 bar	RF130PGGly D611	87914611
4.5 "	½-14 NPT	Bottom back	PP-GF20, black	Grade 2A	0/10 bar	RF130PGGly D611	87915611
4.5 "	½-14 NPT	Bottom back	PP-GF20, black	Grade 2A	0/16 bar	RF130PGGly D611	87916611
4.5 "	½-14 NPT	Bottom back	PP-GF20, black	Grade 2A	0/25 bar	RF130PGGly D611	87917611
4.5 "	½-14 NPT	Bottom back	PP-GF20, black	Grade 2A	0/40 bar	RF130PGGly D611	87918611
4.5 "	½-14 NPT	Bottom back	PP-GF20, black	Grade 2A	0/60 bar	RF130PGGly D611	87919611
4.5 "	½-14 NPT	Bottom back	PP-GF20, black	Grade 2A	0/100 bar	RF130PGGly D611	87920611
4.5 "	½-14 NPT	Bottom back	PP-GF20, black	Grade 2A	0/160 bar	RF130PGGly D611	87921611
4.5 "	½-14 NPT	Bottom back	PP-GF20, black	Grade 2A	0/250 bar	RF130PGGly D611	87922611
4.5 "	½-14 NPT	Bottom back	PP-GF20, black	Grade 2A	0/400 bar	RF130PGGly D611	87923611
4.5 "	½-14 NPT	Bottom back	PP-GF20, black	Grade 2A	0/600 bar	RF130PGGly D611	87924611



Blue part no. = in-stock items



RF130PGGly D612

Housing \varnothing	Connection	Alignment	Housing	Accuracy class	Range	Type	Part no.
4.5 "	½-14 NPT	Bottom back	PP-GF20, black	Grade 2A	-1/0 bar	RF130PGGly D612	87901612
4.5 "	½-14 NPT	Bottom back	PP-GF20, black	Grade 2A	-1/+0.6 bar	RF130PGGly D612	87902612
4.5 "	½-14 NPT	Bottom back	PP-GF20, black	Grade 2A	-1/+1.5 bar	RF130PGGly D612	87903612
4.5 "	½-14 NPT	Bottom back	PP-GF20, black	Grade 2A	-1/+3 bar	RF130PGGly D612	87904612
4.5 "	½-14 NPT	Bottom back	PP-GF20, black	Grade 2A	-1/+5 bar	RF130PGGly D612	87905612
4.5 "	½-14 NPT	Bottom back	PP-GF20, black	Grade 2A	-1/+9 bar	RF130PGGly D612	87906612
4.5 "	½-14 NPT	Bottom back	PP-GF20, black	Grade 2A	-1/+15 bar	RF130PGGly D612	87907612
4.5 "	½-14 NPT	Bottom back	PP-GF20, black	Grade 2A	0/0.6 bar	RF130PGGly D612	87909612
4.5 "	½-14 NPT	Bottom back	PP-GF20, black	Grade 2A	0/1 bar	RF130PGGly D612	87910612
4.5 "	½-14 NPT	Bottom back	PP-GF20, black	Grade 2A	0/1.6 bar	RF130PGGly D612	87911612
4.5 "	½-14 NPT	Bottom back	PP-GF20, black	Grade 2A	0/2.5 bar	RF130PGGly D612	87912612
4.5 "	½-14 NPT	Bottom back	PP-GF20, black	Grade 2A	0/4 bar	RF130PGGly D612	87913612
4.5 "	½-14 NPT	Bottom back	PP-GF20, black	Grade 2A	0/6 bar	RF130PGGly D612	87914612
4.5 "	½-14 NPT	Bottom back	PP-GF20, black	Grade 2A	0/10 bar	RF130PGGly D612	87915612
4.5 "	½-14 NPT	Bottom back	PP-GF20, black	Grade 2A	0/16 bar	RF130PGGly D612	87916612
4.5 "	½-14 NPT	Bottom back	PP-GF20, black	Grade 2A	0/25 bar	RF130PGGly D612	87917612
4.5 "	½-14 NPT	Bottom back	PP-GF20, black	Grade 2A	0/40 bar	RF130PGGly D612	87918612
4.5 "	½-14 NPT	Bottom back	PP-GF20, black	Grade 2A	0/60 bar	RF130PGGly D612	87919612
4.5 "	½-14 NPT	Bottom back	PP-GF20, black	Grade 2A	0/100 bar	RF130PGGly D612	87920612
4.5 "	½-14 NPT	Bottom back	PP-GF20, black	Grade 2A	0/160 bar	RF130PGGly D612	87921612
4.5 "	½-14 NPT	Bottom back	PP-GF20, black	Grade 2A	0/250 bar	RF130PGGly D612	87922612
4.5 "	½-14 NPT	Bottom back	PP-GF20, black	Grade 2A	0/400 bar	RF130PGGly D612	87923612
4.5 "	½-14 NPT	Bottom back	PP-GF20, black	Grade 2A	0/600 bar	RF130PGGly D612	87924612



Blue part no. = in-stock items