



## Resistance thermometers WTh 23



### Benefits

- For heating, ventilation and air conditioning technology
- Screw-in resistance thermometer with Pt100 sensor
- Wetted parts 316 Ti

### Application

Compact screw-in resistance thermometer specially for heating, ventilation and air conditioning applications

### Technical specifications

#### Sensor

1 x Pt100  
3-wire  
Class B, IEC 751

#### Measuring insert

Not replaceable

#### Thermowell

Ø 6 mm, Stainless steel 316 Ti

#### Process connection

G $\frac{1}{4}$ B  
Stainless steel 316 Ti

#### Installation length

100, 160, 250, 400 mm

#### Connection head

Shape J  
Aluminium die cast

#### Electrical connection

Cable gland

#### Degree of protection

IP 54 (EN 60529)

#### Measuring range

-35/+180 °C

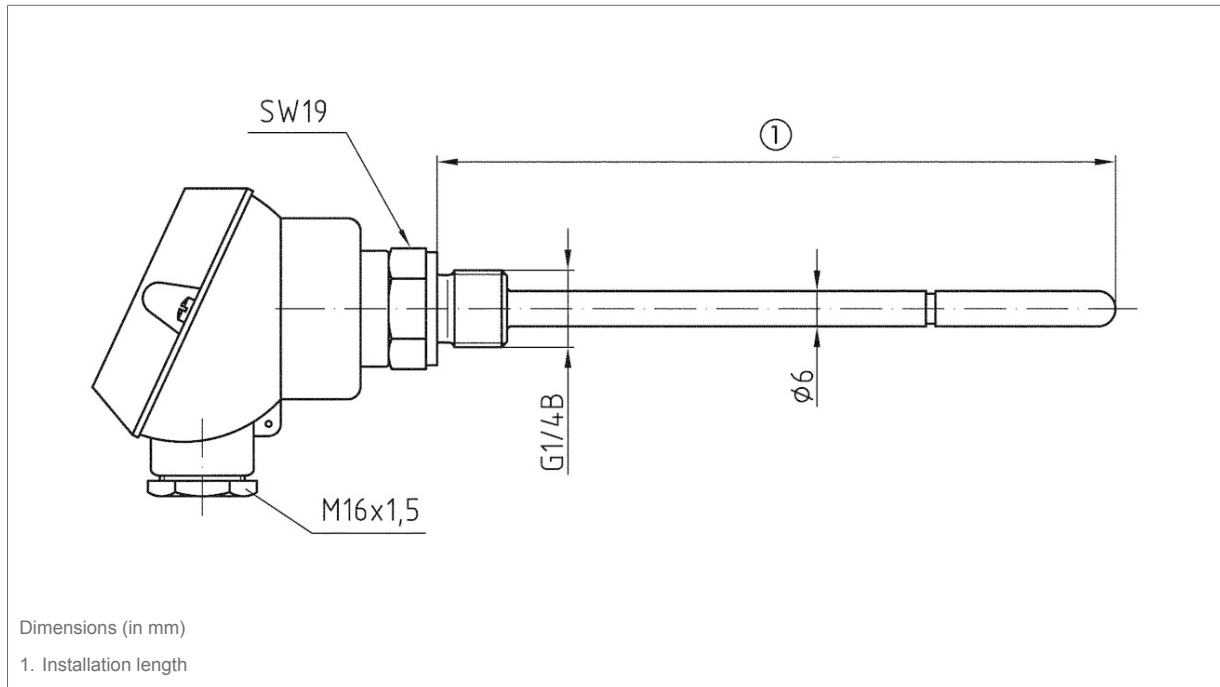
### Options

- Sensor class A
- Sensor Pt1000
- Transmitter installation
- Other thermowell diameters
- Thermowell with bend, measuring tip with spring
- Neck
- Other process connections
- Other installation lengths



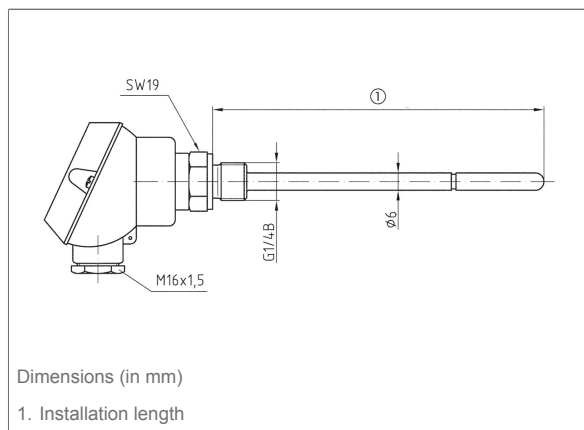
## Detail views

### Type WTh 23



## Technical drawings

### Type WTh 23





## Versions

	Installation length	Part no.	
	Resistance thermometers WTh 23	100 mm	32225
	Resistance thermometers WTh 23	160 mm	32226
	Resistance thermometers WTh 23	250 mm	32227
	Resistance thermometers WTh 23	400 mm	32228

Blue part no. = in-stock items