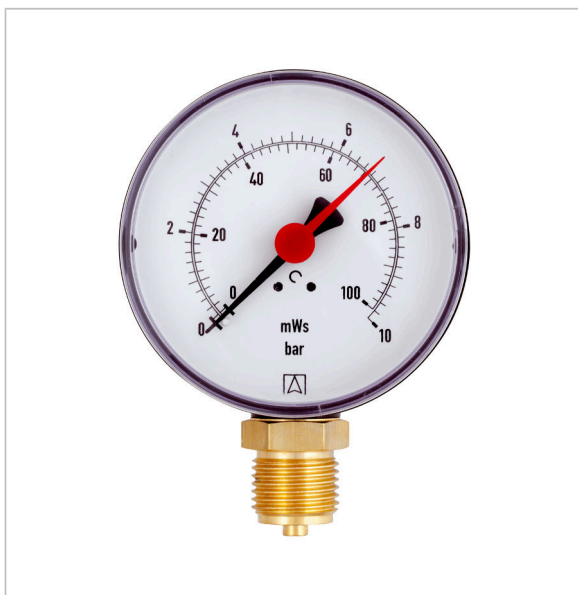


## Hydrometers HY for heating/plumbing



### Technical specifications

#### Nominal size

80 – 100

#### Accuracy class (EN 837-1/6)

2,5

#### Ranges

0/1 bar  
0/1.6 bar  
0/6 bar  
0/10 bar  
0/0.6 bar  
0/2.5 bar  
0/4 bar

#### Application area

Static load:  $\frac{1}{4}$  x full scale value  
Dynamic load:  $\frac{1}{2}$  x full scale value  
Short-term: Full scale value

### Standard version

#### Connection

Brass, bottom

NG 80: G $\frac{1}{2}$ B

NG 100: G $\frac{1}{2}$ B

#### Measuring element

Bourdon tube, "C" type tube  
Copper alloy

#### Movement

Brass

#### Dial

Plastic, white  
Dual scale bar outer - mWC inner  
Scaling black

#### Operating temperature range

Medium: Max. 60 °C

Ambient: -20/+60 °C

#### Temperature performance

Indication error when the temperature of the measuring system deviates from the normal temperature of 20 °C:  
at rising temperature approx.  $\pm 0.4$  %/10 K  
falling temperature approx.  $\pm 0.4$  %/10 K  
of full scale value

#### Degree of protection

IP 32 (EN 60529)

#### Pointer

Plastic, black

#### Housing

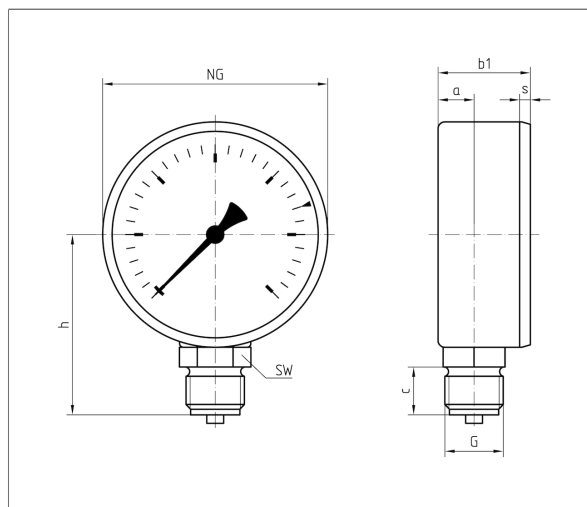
Plastic (ABS), black, highly impact-resistant and corrosion-resistant

#### Window

Plastic, clipped in  
With adjustable red reference pointer

## Technical drawings

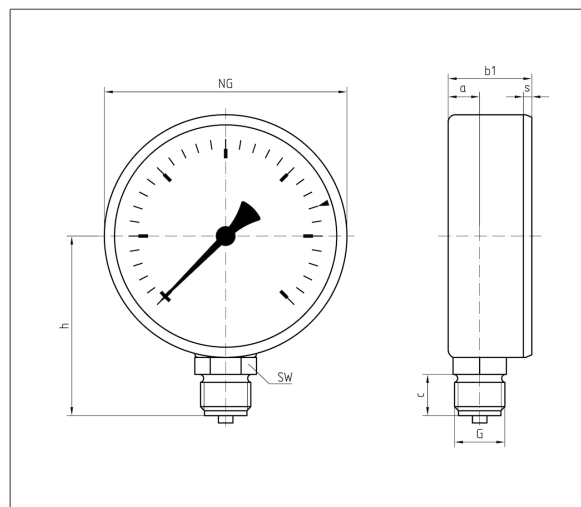
RF 80/HY 80/HZ 80 – bottom connection



Dimensions (mm)

NG	a	b1	c	G	h	s	SW
80	12,8	32,8	17	G½B	64	2,8	14

RF 100/HY 100 – bottom connection



Dimensions (mm)

NG	a	b1	c	G	h	s	SW
100	15,5	34,5	17	G½B	74	3,5	22

## Versions

### HY 80

	Housing $\varnothing$	Connection	Alignment	Range	Type	Part no.
	80 mm	G½B	Bottom	0/1 bar	HY 80	63570
	80 mm	G½B	Bottom	0/1.6 bar	HY 80	63571
	80 mm	G½B	Bottom	0/6 bar	HY 80	63574
	80 mm	G½B	Bottom	0/10 bar	HY 80	63575

Blue part no. = in-stock items

### HY 100

	Housing $\varnothing$	Connection	Alignment	Range	Type	Part no.
	100 mm	G½B	Bottom	0/0.6 bar	HY 100	63281
	100 mm	G½B	Bottom	0/1 bar	HY 100	63282
	100 mm	G½B	Bottom	0/1.6 bar	HY 100	63283
	100 mm	G½B	Bottom	0/2.5 bar	HY 100	63284

Blue part no. = in-stock items



Housing <sup>⊗</sup>	Connection	Alignment	Range	Type	Part no.
100 mm	G½B	Bottom	0/4 bar	HY 100	<a href="#">63285</a>
100 mm	G½B	Bottom	0/6 bar	HY 100	<a href="#">63286</a>
100 mm	G½B	Bottom	0/10 bar	HY 100	<a href="#">63287</a>

Blue part no. = in-stock items